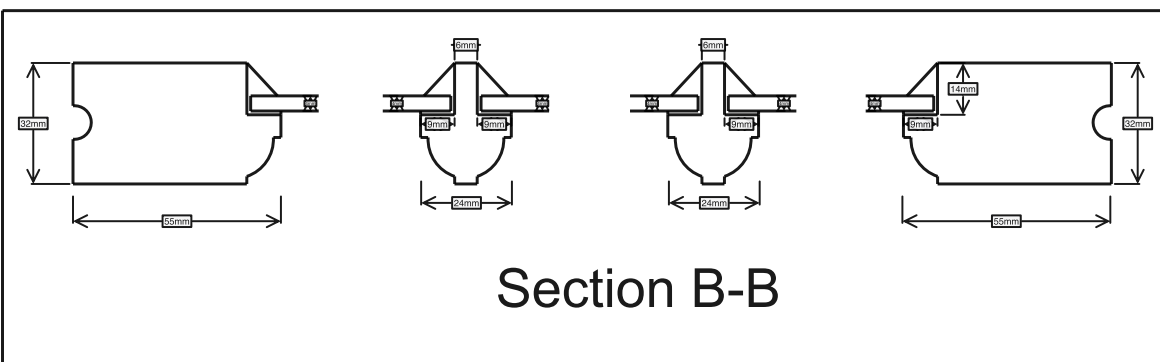
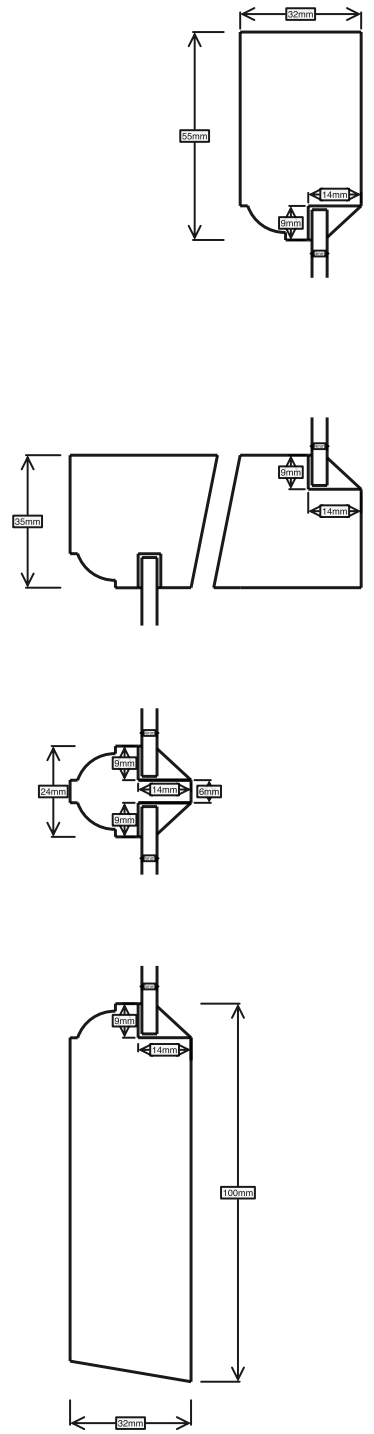


Section A-A



Section B-B

29a Neal Street WC2H 9PR	Drawing no. MJ/NS/004
Ventrolla Ltd	
Date - 02 - 12 - 2019	
Sections	Scale 1:2 @ A4
Elevation	Scale 1:10 @ A4
Window Rear bathroom (W6)	
Glass = 4mm clear glass	