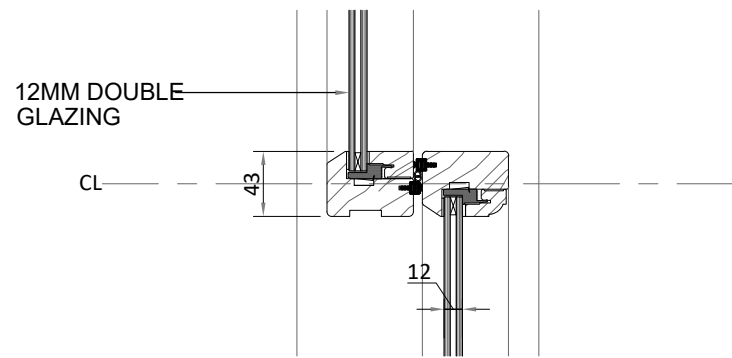
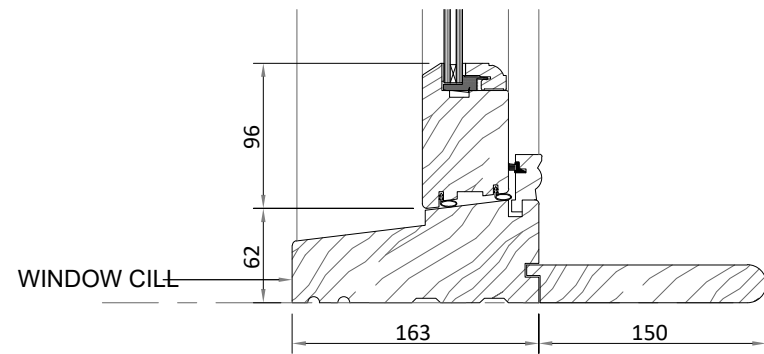


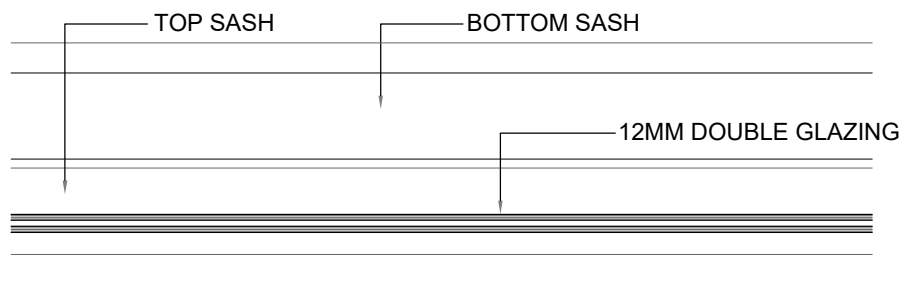
DETAIL A - TYPICAL HEAD SECTION  
PROPOSED TIMBER DOUBLE-GLAZED SASH WINDOW  
@ 1:5



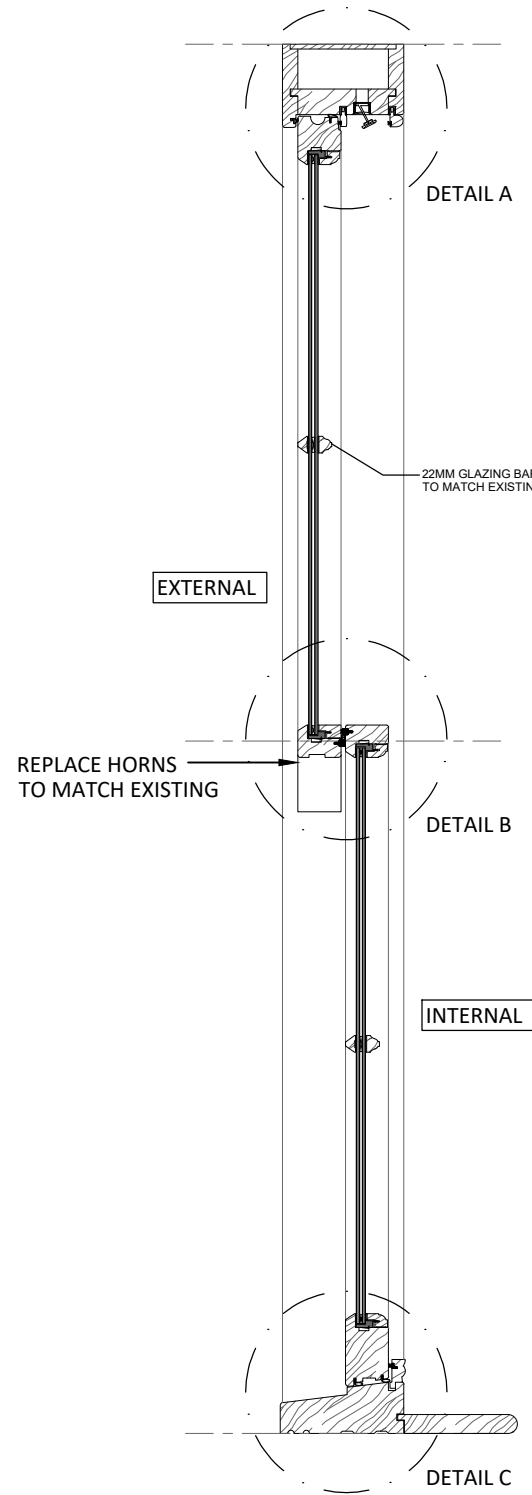
DETAIL B - TYPICAL CENTRE BAR SECTION  
PROPOSED TIMBER DOUBLE-GLAZED SASH WINDOW  
@ 1:5



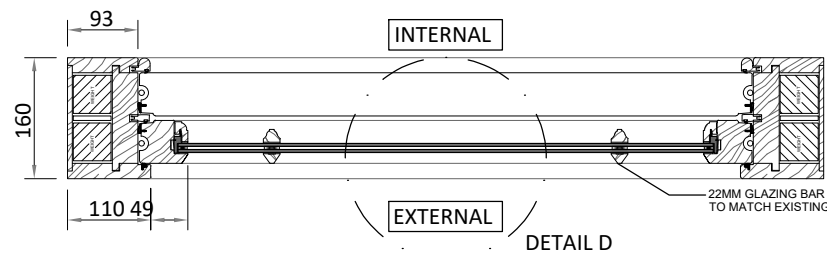
DETAIL C - TYPICAL CILL SECTION  
PROPOSED TIMBER DOUBLE-GLAZED SASH WINDOW  
@ 1:5



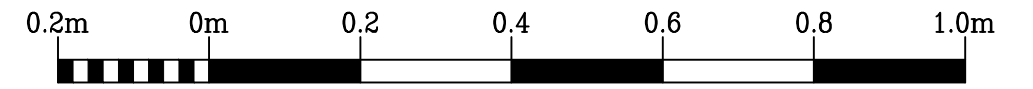
DETAIL D - TYPICAL GLAZING BAR SECTION  
PROPOSED TIMBER DOUBLE-GLAZED SASH WINDOW  
@ 1:5



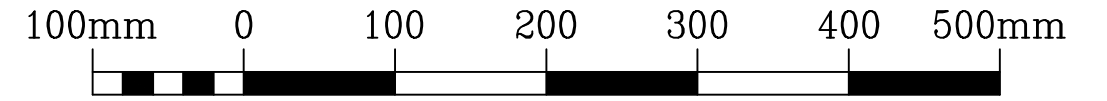
TYPICAL SECTION  
PROPOSED TIMBER DOUBLE-GLAZED SASH WINDOW  
@ 1:10



WINDOW PLAN  
PROPOSED TIMBER DOUBLE-GLAZED SASH WINDOW  
@ 1:10



Scale 1:10



Scale 1:5

Rev.	Date

Do not scale from this drawing. Dimensions to be verified on site by contractor prior to commencement of work.  
This drawing is the copyright of the practice and may not be reproduced in part or in whole without the prior written consent of the practice.  
© 2020 Faithorn Farrell Timms LLP



**Faithorn Farrell Timms**  
Central Court  
1 Knoll Rise  
ORPINGTON  
Kent BR6 0JA  
T 01689 885080

Client  
**PA HOUSING**

Project  
**85 AGAR GROVE  
LONDON  
NW11 9UE**

Drawing Title  
**PROPOSED  
TIMBER SASH  
WINDOW SECTIONS**

Date  
**06/01/21**

Scale  
**AS STATED @ A3**

Drawn By  
**EK**

Checked By  
**JM**

Project No.  
**T1-5387**

Drawing No. Rev.  
**6**