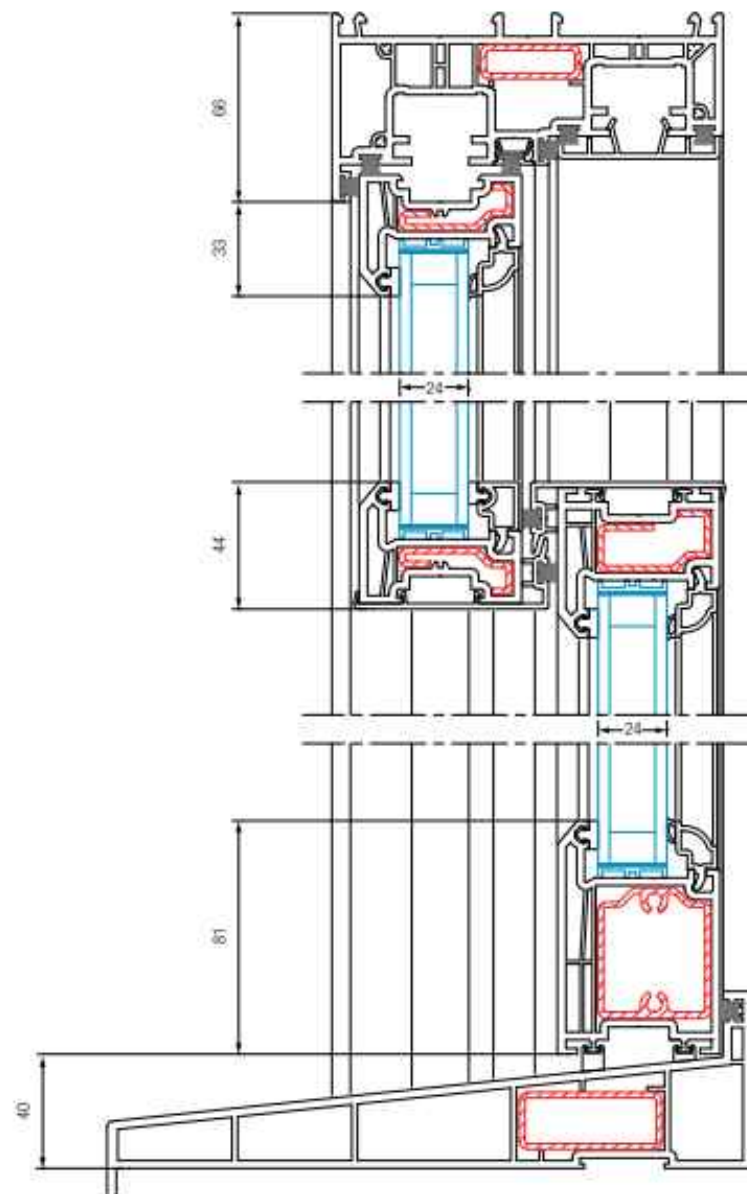


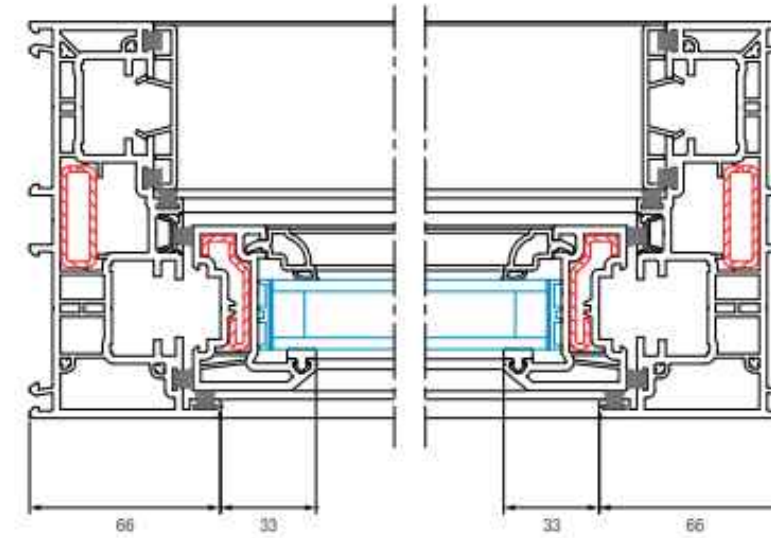
VERTICAL SLIDING WINDOWS

Heritage

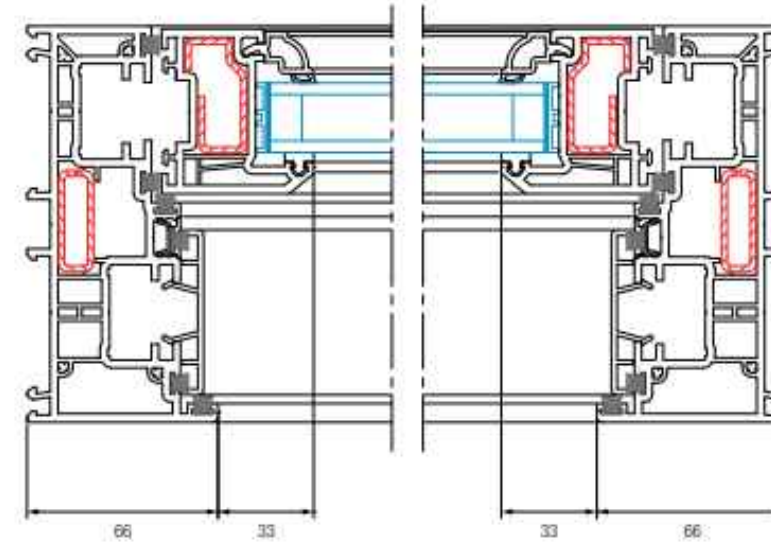
Vertical Section



Top Sash



Bottom Sash



Rev.	Date

Do not scale from this drawing. Dimensions to be verified on site by contractor prior to commencement of work.
 This drawing is the copyright of the practice and may not be reproduced in part or in whole without the prior written consent of the practice.
 © 2020 Faithorn Farrell Timms LLP



Faithorn Farrell Timms
 Central Court
 1 Knoll Rise
 ORPINGTON
 Kent BR6 0JA
 T 01689 885080

Client **PA HOUSING**

Project **85 AGAR GROVE
 LONDON
 NW11 9UE**

Drawing Title **PROPOSED
 PVCU
 WINDOW SECTIONS**

Date **06/01/21** Scale **NOT TO SCALE**

Drawn By **EK** Checked By **JM**

Project No. **T1-5387** Drawing No. **8** Rev.