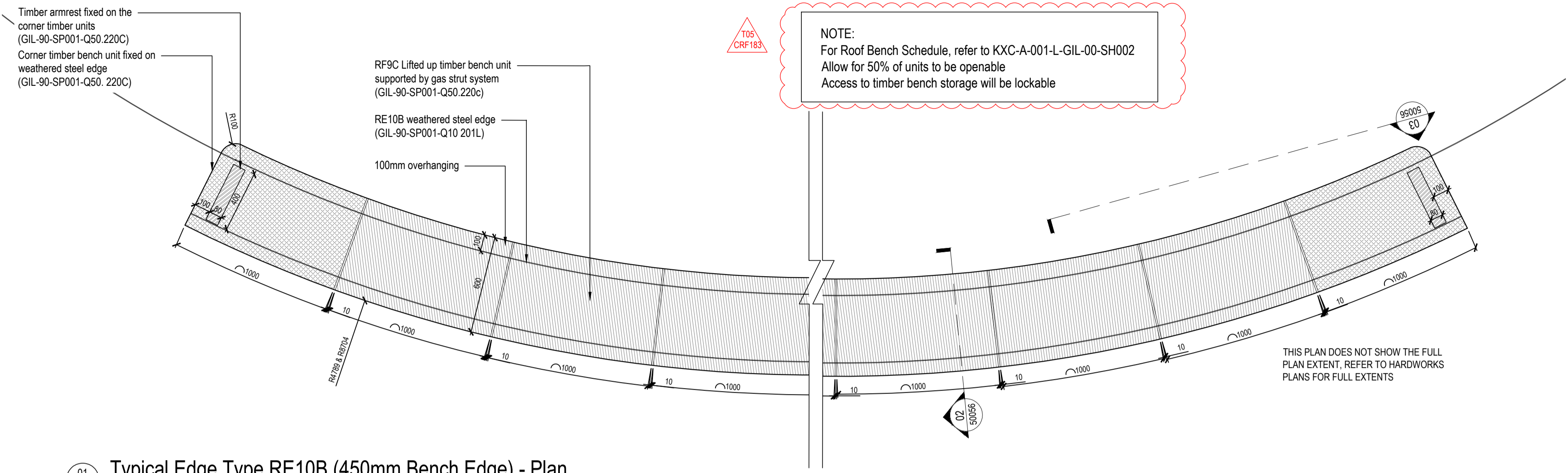


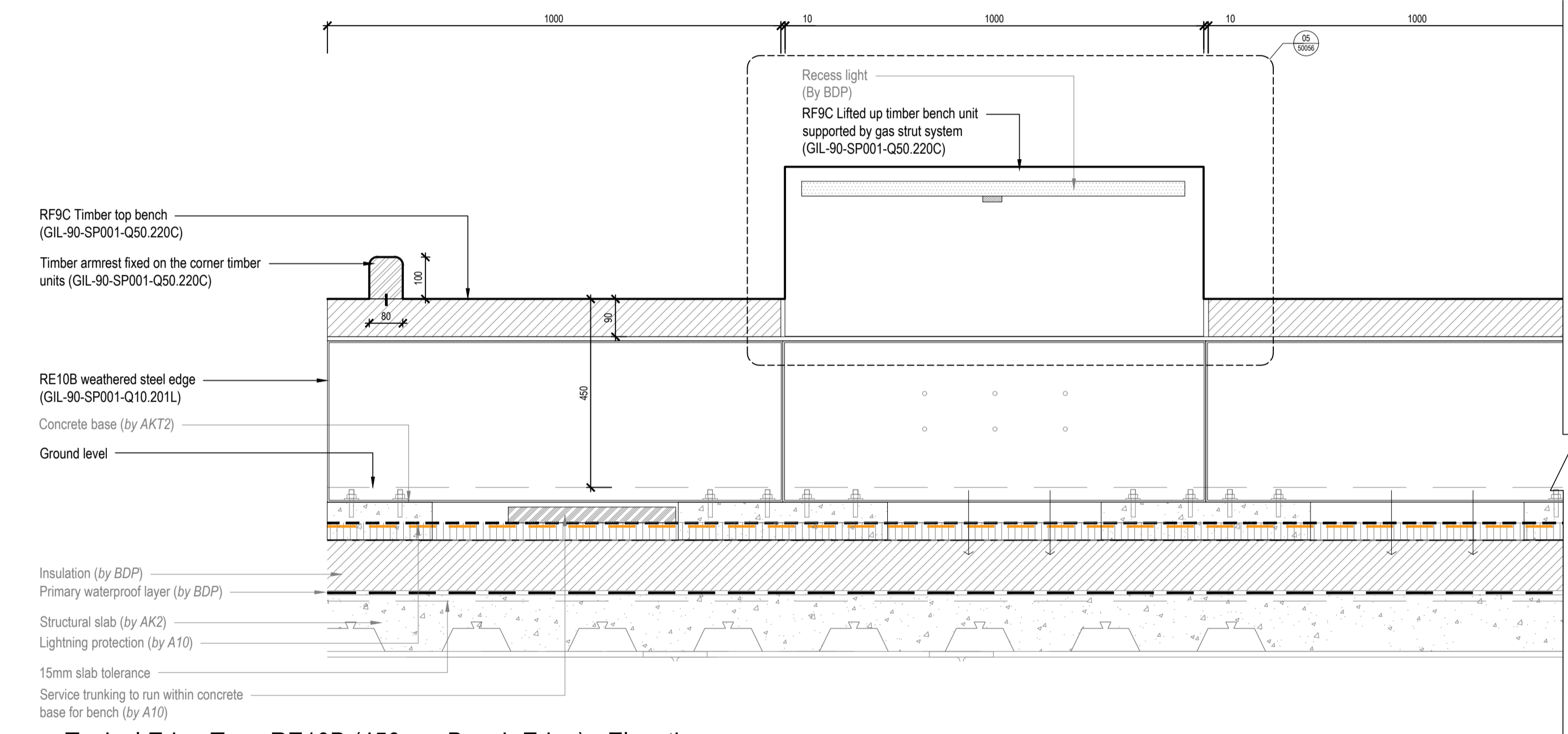
- NOTES:
- 1.0 Do not scale from drawing, use figured dimensions only
  - 1.1 All dimensions to be checked onsite
  - 1.2 This drawing to be read in conjunction with all other Gillespies drawings and specifications
  - 1.3 For General Arrangement Landscape Plan, refer to KXC-A-001-L-GIL-00-11201
  - 1.4 For Hard Materials, refer to KXC-A-001-L-GIL-00-11211 / 11212 / 11213 / 11214 / 11215
  - 1.5 For Walls and Edges, refer to KXC-A-001-L-GIL-00-11221 / 11222 / 11223 / 11224 / 11225
  - 1.6 For Overall Levels Plan, refer to KXC-A-001-L-GIL-00-11202
  - 1.7 For Detailed Levels, refer to KXC-A-001-L-GIL-00-11231 / 11232 / 11233 / 11234 / 11235
  - 1.8 For Landscape Roof specifications refer to KXC-A-001-L-GIL-90-SP001
  - 1.9 For interface details with RE9 Edge, refer to KXC-A-001-L-GIL-90-50058
  - 2.0 For Lighting bench details, refer to BDP's drawing KXC-A-001-J-BDP-63-50001
  - 2.1 For Roof Services layouts, refer to KXC-A-001-L-GIL-90-11291 - KXC-A-001-L-GIL-90-11295

**NOTE:**  
SHOP DRAWINGS WILL BE REQUIRED FOR ALL WEATHERING STEEL EDGES AND APPROVED BY EMPLOYER

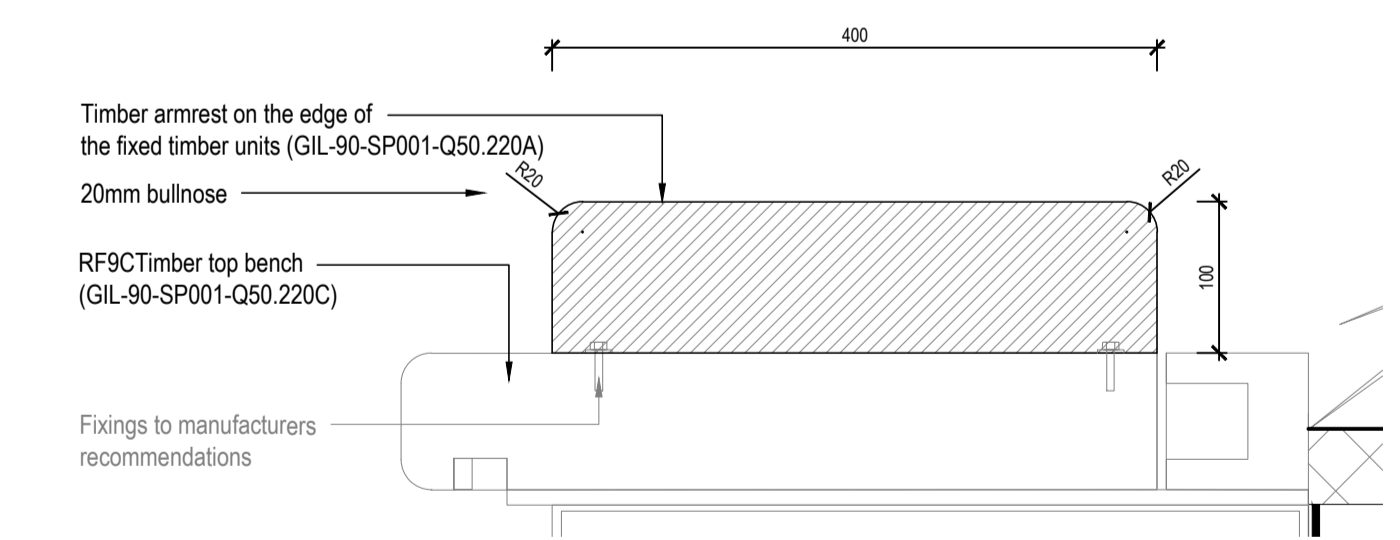
**NOTE:**  
For Roof Bench Schedule, refer to KXC-A-001-L-GIL-00-SH002  
Allow for 50% of units to be openable  
Access to timber bench storage will be lockable



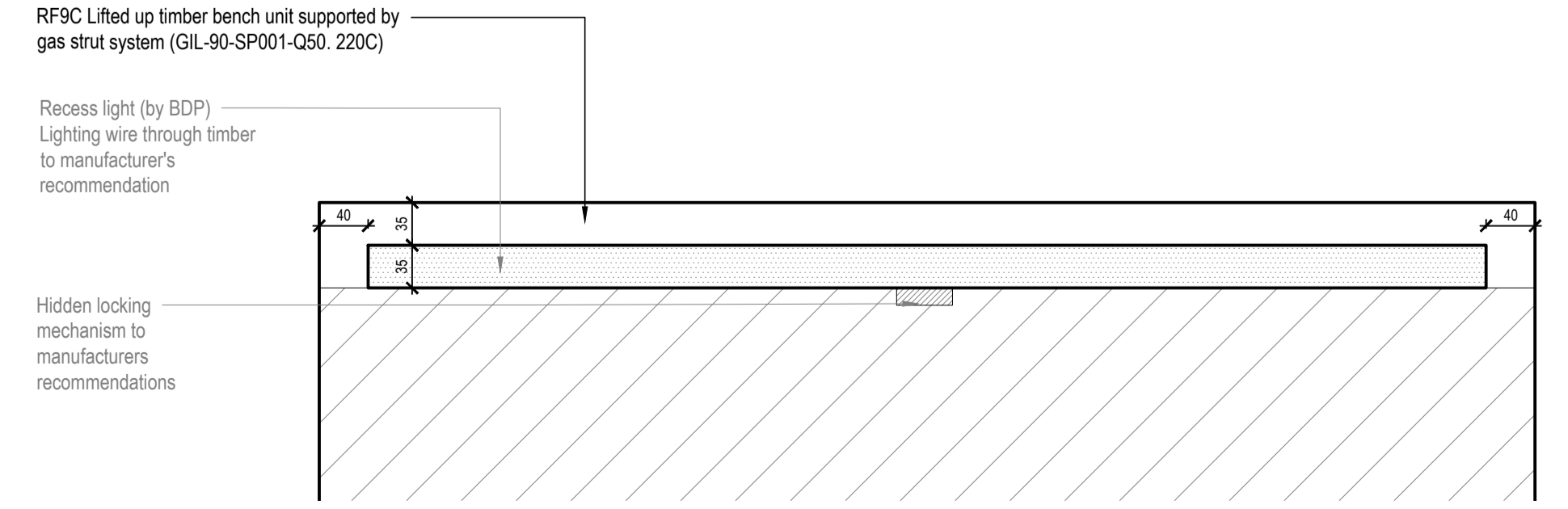
01  
50056  
**Typical Edge Type RE10B (450mm Bench Edge) - Plan**  
Scale 1:20 @ A1



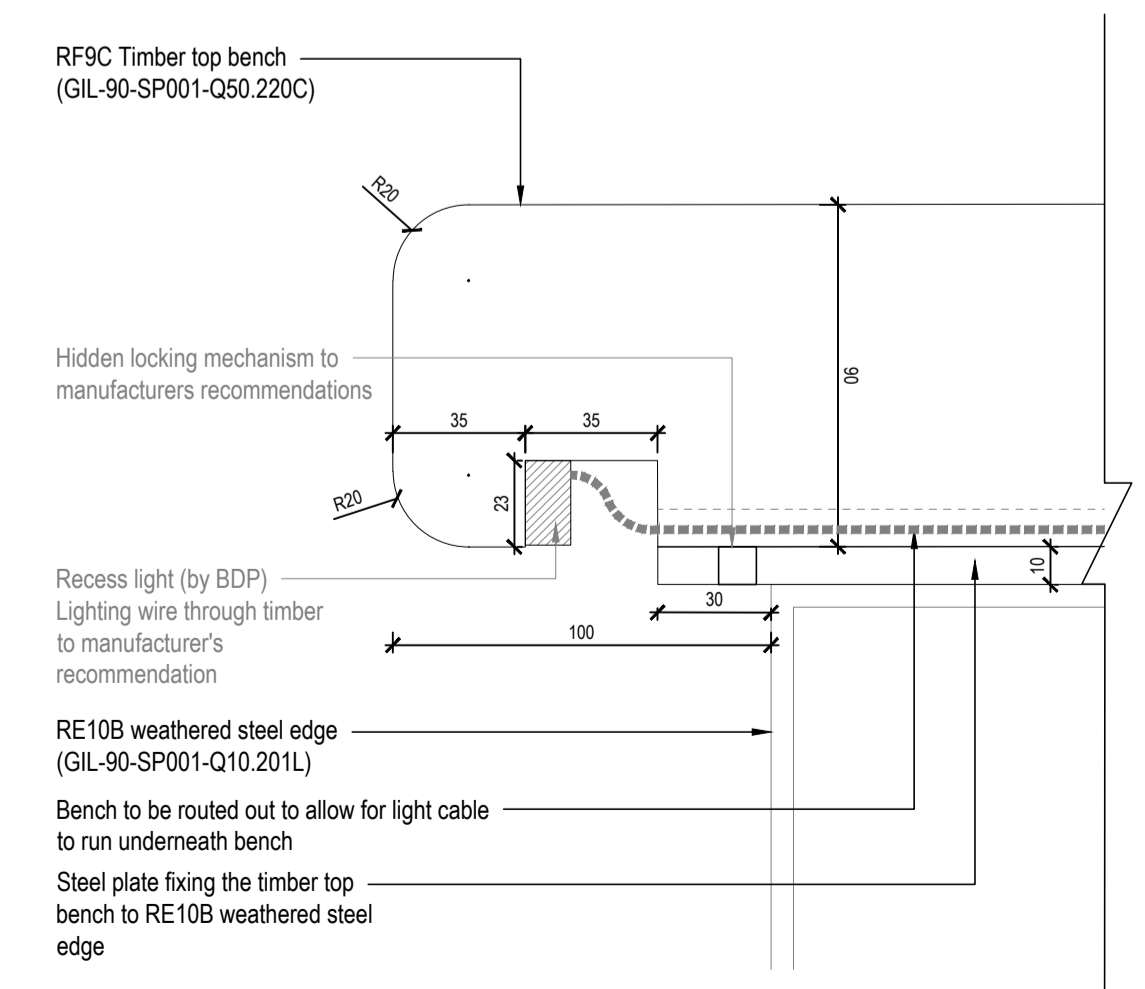
03  
50056  
**Typical Edge Type RE10B (450mm Bench Edge) - Elevation**  
Scale 1:10 @ A1



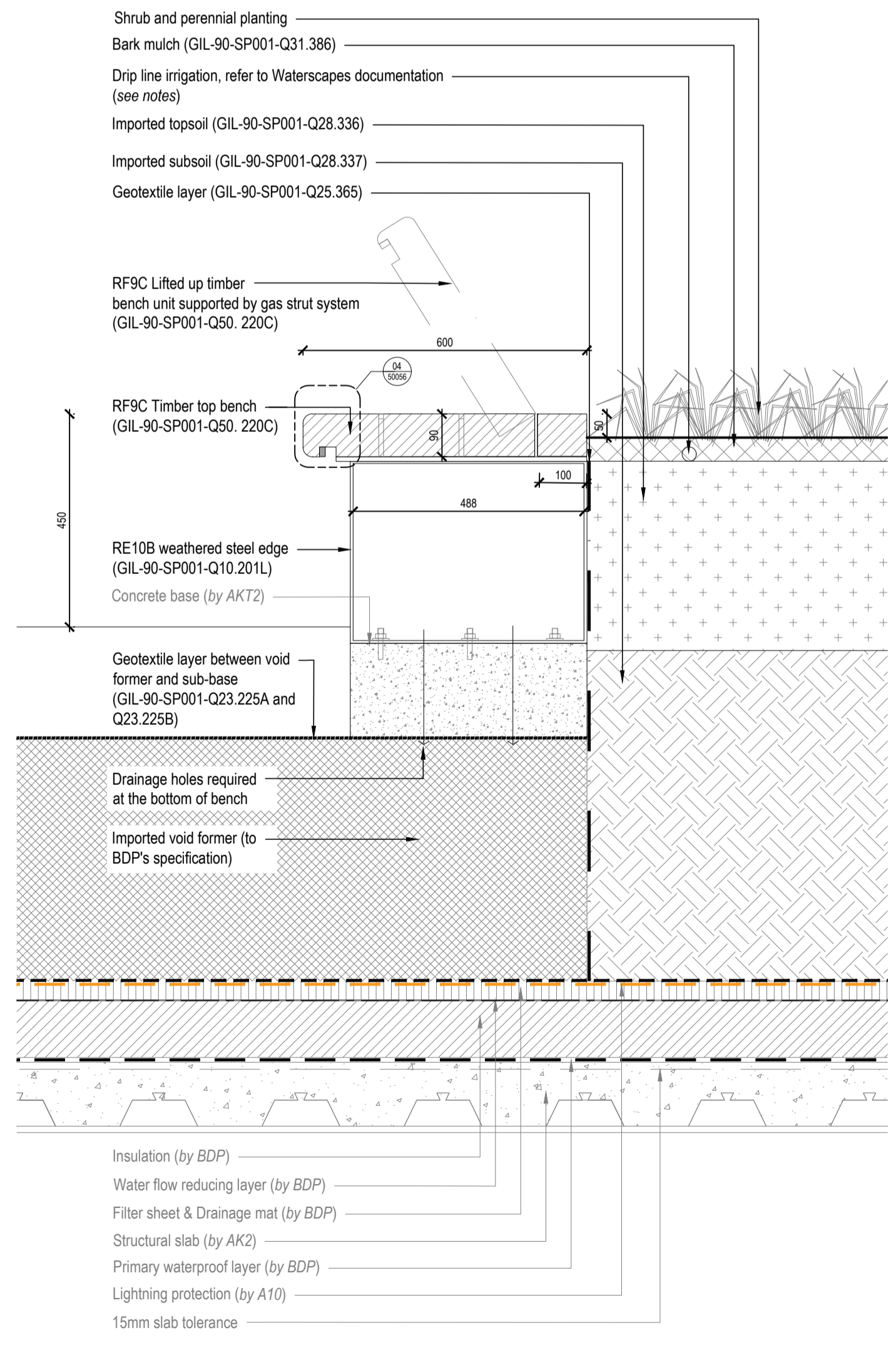
06  
50056  
**Typical Edge Type RE10B - Armrest - Section**  
Scale 1:5 @ A1



05  
50056  
**Typical Edge Type RE10B - Recess light under timber unit - Elevation**  
Scale 1:5 @ A1



04  
50056  
**Typical Edge Type RE10B - Recess light - Section**  
Scale 1:2 @ A1



02  
50056  
**Typical Edge Type RE10B (450mm Bench Edge) - Section**  
Scale 1:10 @ A1

REVISION	DESCRIPTION	BY	CHECKED	DATE
T05	For Tender (CRF 183)	SH	AM	14.10.19
T04	For Tender (NMC)	SH	AM	07.12.18
T03	For Tender (CRF 137)	SH	AM	04.04.18
T02	Stage 4 Update	SH	AM	15.12.17
T01	Stage 4 Issue	CD	AM	29.09.17

**GILLESPIES**  
1 St John's Square, London EC1M 4EH  
P: 020 7253 2929 F: 020 7253 3900 E: design.london@gillespies.co.uk

FOR TENDER

Date:	29/09/2017
Project No:	P2007133
Scale:	VARIES
Size:	A1
Drawn:	CD
Checked:	AM
Design No:	KXC-A-001-L-GIL-90-50056
Rev:	T05