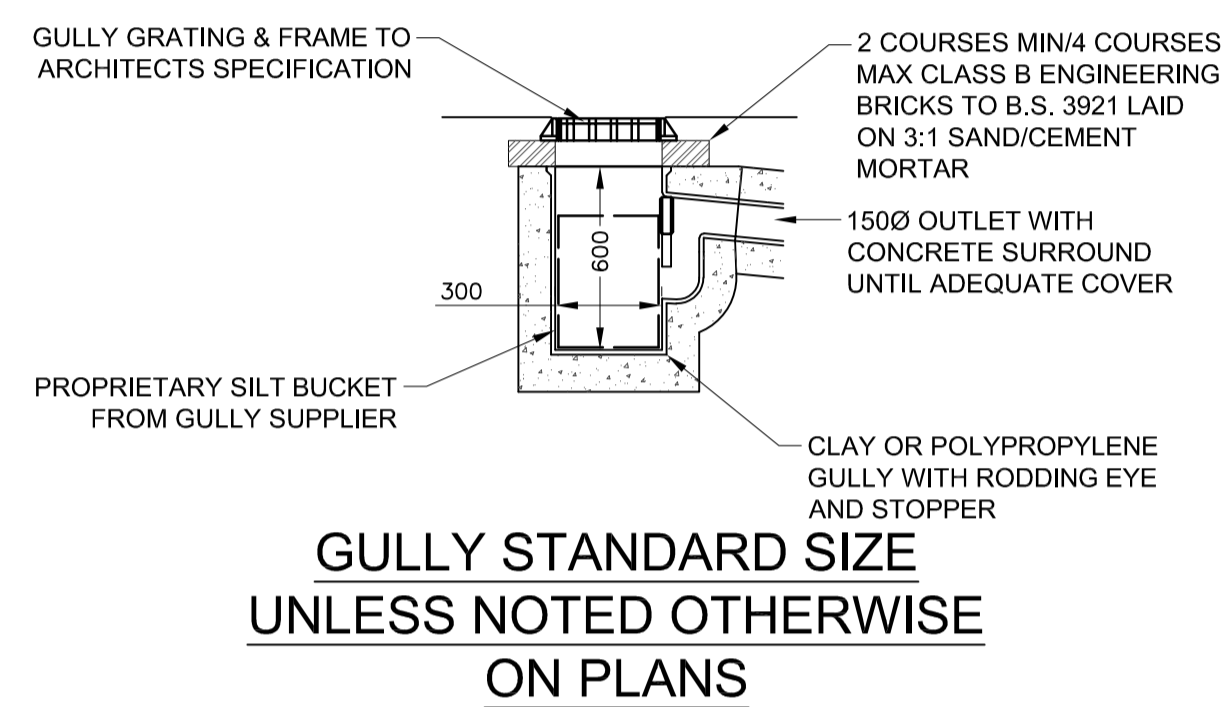
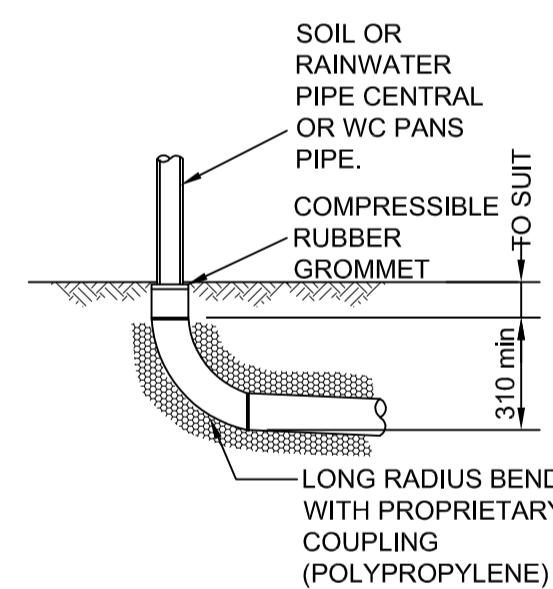


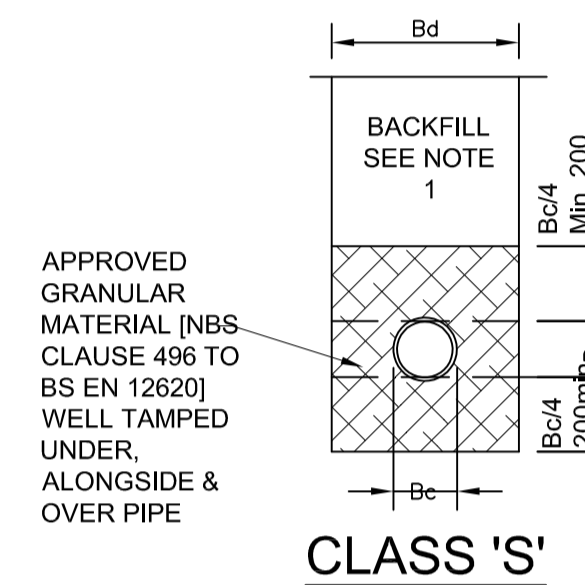
TYPICAL DETAIL OF WAVIN RANGE 450/600 INSPECTION CHAMBERS FOR DEPTHS UPTO 3.0m (REF TYPE 3)



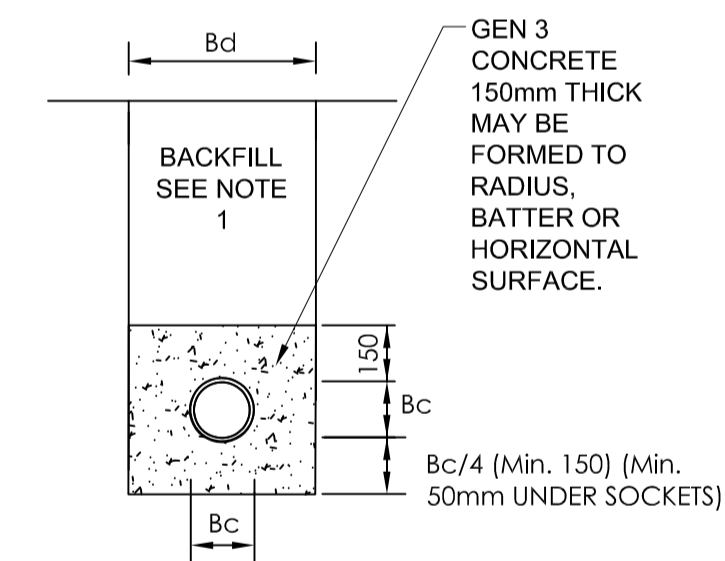
GULLY STANDARD SIZE UNLESS NOTED OTHERWISE ON PLANS



TYPICAL CONNECTION TO SOIL OR RAINWATER PIPES (uPVC)



CLASS 'S'



CLASS 'Z'

Dia (mm)	Bd (m)	GRANULAR MATERIAL TO NOMINAL SINGLE SIZED AS FOLLOWS:
100	0.5	100 DIA. 10mm
150	0.6	150 DIA. 10mm/ 14mm.
225	0.7	200 DIA. & ABOVE 10mm/ 14mm/ 20mm.
300	0.85	
375	1.05	
450	1.15	
525	1.20	
600	1.35	
1050	1.80	

NOTE 1
Bd = TRENCH WIDTH AT CROWN OF PIPE - (NARROW TRENCH WIDTH CONDITIONS)
Bc = OUTSIDE DIAMETER OF PIPE

CLASS 'A' & CLASS 'S' FOR PIPE DIAMETERS 100 TO 525. GENERAL CASE CLASS 'S'.
CLASS 'A' FOR USE WHERE CROWN OF PIPE IS WITHIN 1.2m OF U/S OF PAVING.
CLASS 'F' FOR 100 & 150 DIAMETER CONCRETE OR VITRIFIED CLAY ONLY.
CLASS 'F' IS NOT TO BE USED FOR PLASTIC PIPES.

1. BACK FILL TO TRENCHES TO BE SELECTED GRANULAR MATERIAL. MAX. PARTICLE SIZE NOT EXCEEDING 75mm, AND NOT MORE THAN 10% PASSING 75mm SIEVE. MATERIAL SHALL NOT CONTAIN ANY CLAY LUMPS OR ANY OTHER FOREIGN MATTER.

2. PIPES TO BE VITRIFIED CLAY TO BSEN 295 OR PVC-U TO BSEN 1404-1:1998 TO CONTRACTOR CHOICE

Rev	Date	Description	By	Check	App.
T1	20.09.20	TENDER ISSUE	CN	RB	GS

COPYRIGHT: THE COPYRIGHT OF THIS DRAWING IS VESTED IN CLANCY CONSULTING. IT SHALL NOT BE USED WITHOUT PERMISSION BY ANY PARTY. DO NOT SCALE THE DRAWING ELECTRONICALLY OR MANUALLY. WORK TO FIGURED DIMENSIONS ONLY. ALL DIMENSIONS ARE IN UNLESS OTHERWISE SPECIFIED OTHERWISE. DO NOT TURN ON LAYERS THAT HAVE BEEN TURNED OFF. DO NOT TRIM LAYERS THAT HAVE BEEN FROZEN.

Client	DENMAR HOLDINGS (BVI) LTD				
Project	HIGH STREET HUB HOTEL CAMDEN HIGH STREET LONDON NW1 7JR				
Office	NORWICH - 01603 305 190				
Discipline	CIVIL ENGINEERING				
Title	DRAINAGE CONSTRUCTION DETAILS SHEET				
Scale @ A1	1:20	Status	TENDER		



www.clancy.co.uk

Originator	Job Number	Discipline	Building/Zone
CCL	28971	C	HUB
Type	Level	Drawing No.	Revision
DET	DRN	400410	T1

Birmingham 0121 200 7900, Glasgow 0141 222 1750, Liverpool 0151 222 5300, London 020 3077 8970, Manchester 0161 615 6000, Newcastle 0191 221 0750, Norwich 01603 305 190, Plymouth 01752 42371, Reading 0118 941 7888