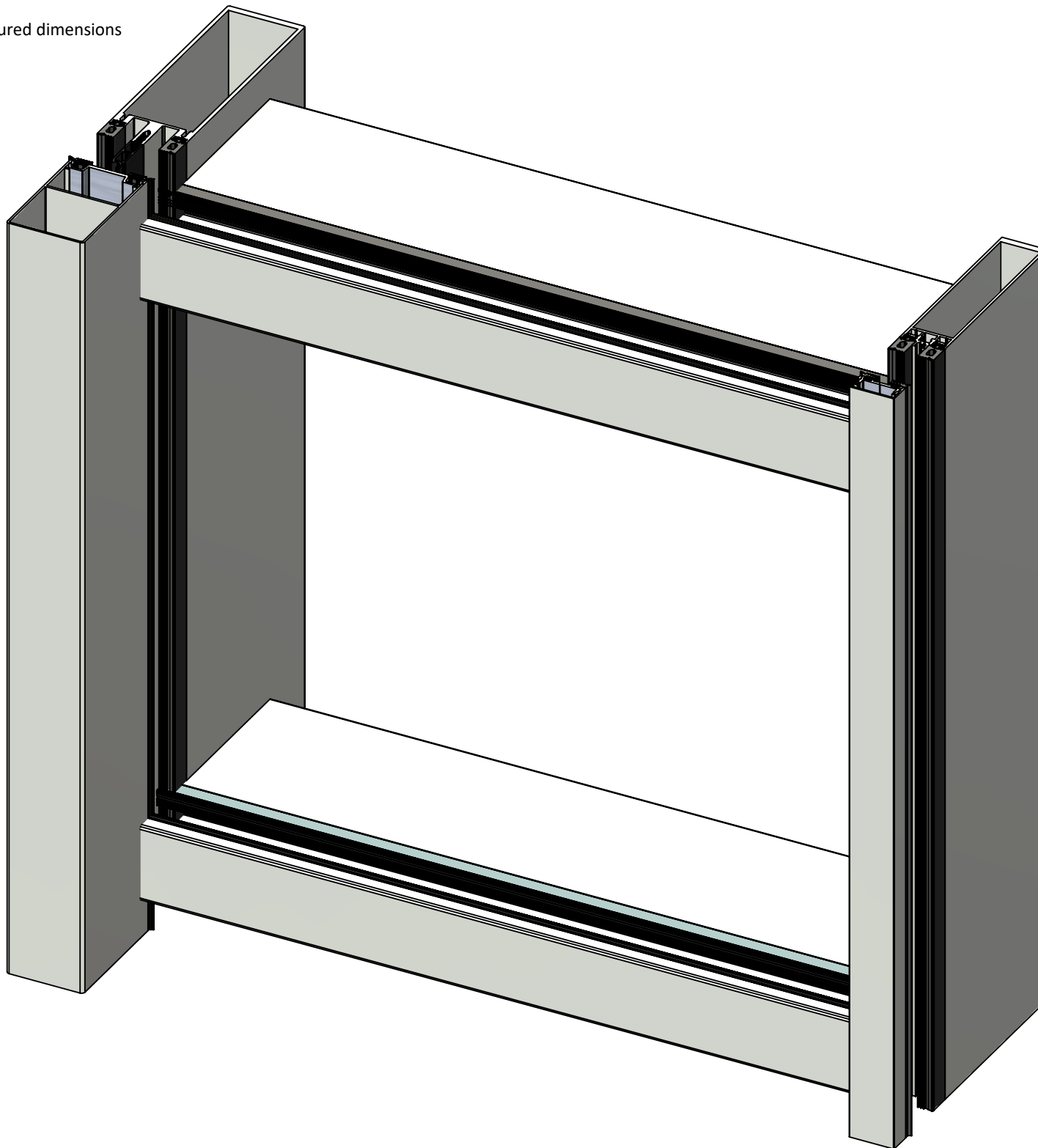
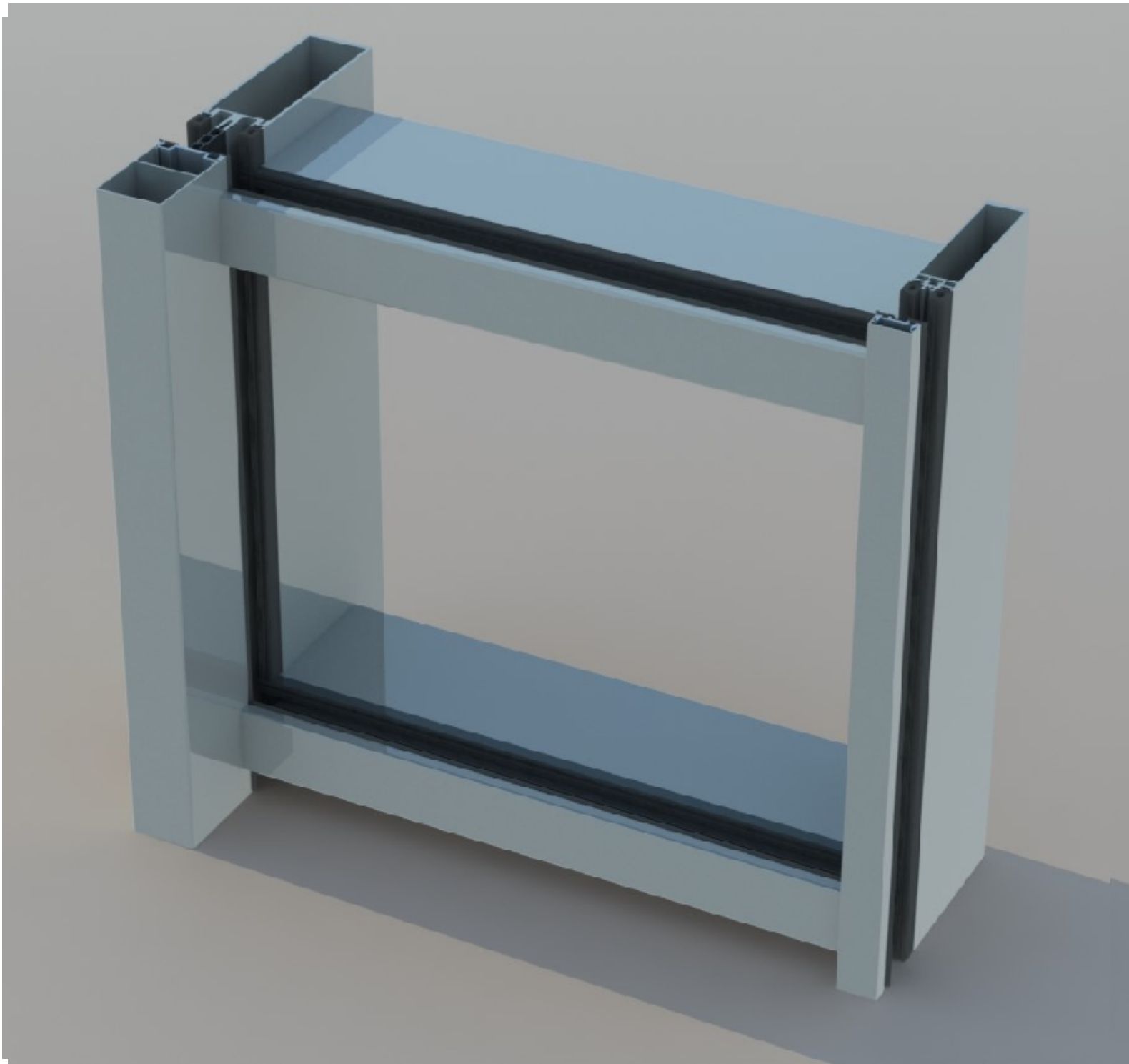


Do not scale - Work to figured dimensions



| REVISIONS   |      |                                 |            |                          |
|---|------|---------------------------------|------------|--------------------------|
| REV.  | DATE | DESCRIPTION                     | INT        |                          |
|  <b>STRUCTURA UK Ltd</b><br>Unit 1, Oakcroft Road<br>Chessington,<br>Surrey, KT9 1RH<br>Tel. 020 8397 4361 Fax. 020 8391 5805<br>E Mail - mail@structura.co.uk |      |                                 |            |                          |
| Location  |      | Camden Town Hall<br>London      |            |                          |
| Title   |      | 3rd Floor Curtainwall<br>Sample |            |                          |
| Client  |      | Lend Lease                      |            |                          |
| Drawn   | RS   | Date                            | 18/01/2021 | Checked T.B.C. Scale N/A |
| Drawing No.   |      | <b>24067 SK300</b>              |            | Rev                      |
| This document remains our exclusive property and shall not be reproduced without permission   |      |                                 |            |                          |

Do not scale - Work to figured dimensions



| REVISIONS   |        |                                 |            |
|---|--------|---------------------------------|------------|
| REV.  | DATE   | DESCRIPTION                     | INT        |
|  <b>STRUCTURA UK Ltd</b><br>Unit 1, Oakcroft Road<br>Chessington,<br>Surrey, KT9 1RH<br>Tel. 020 8397 4361 Fax. 020 8391 5805<br>E Mail - mail@structura.co.uk |        |                                 |            |
| Location  |        | Camden Town Hall<br>London      |            |
| Title   |        | 3rd Floor Curtainwall<br>Sample |            |
| Client  |        | Lend Lease                      |            |
| Drawn   | RS     | Date                            | 18/01/2021 |
| Checked   | T.B.C. | Scale                           | N/A        |
| Drawing No.   |        | <b>24067 SK301</b>              |            |
| Rev   |        |                                 |            |
| This document remains our exclusive property and shall not be reproduced without permission   |        |                                 |            |