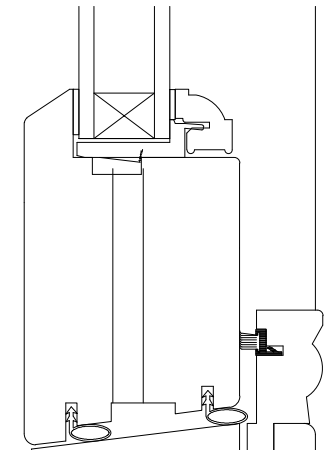
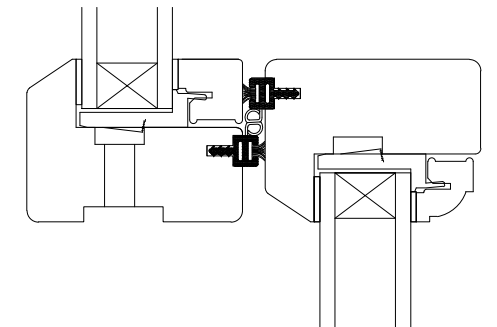
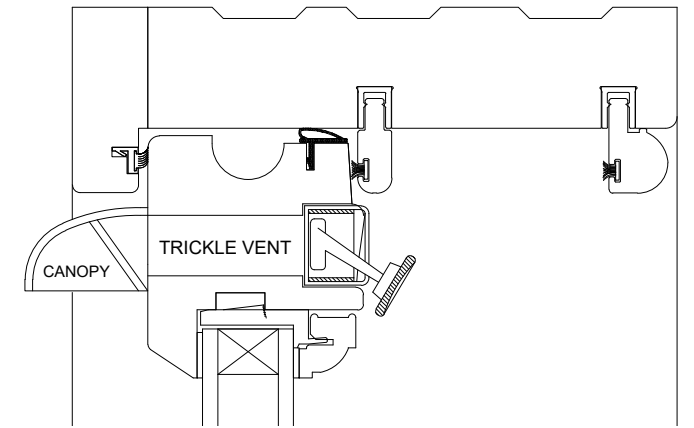
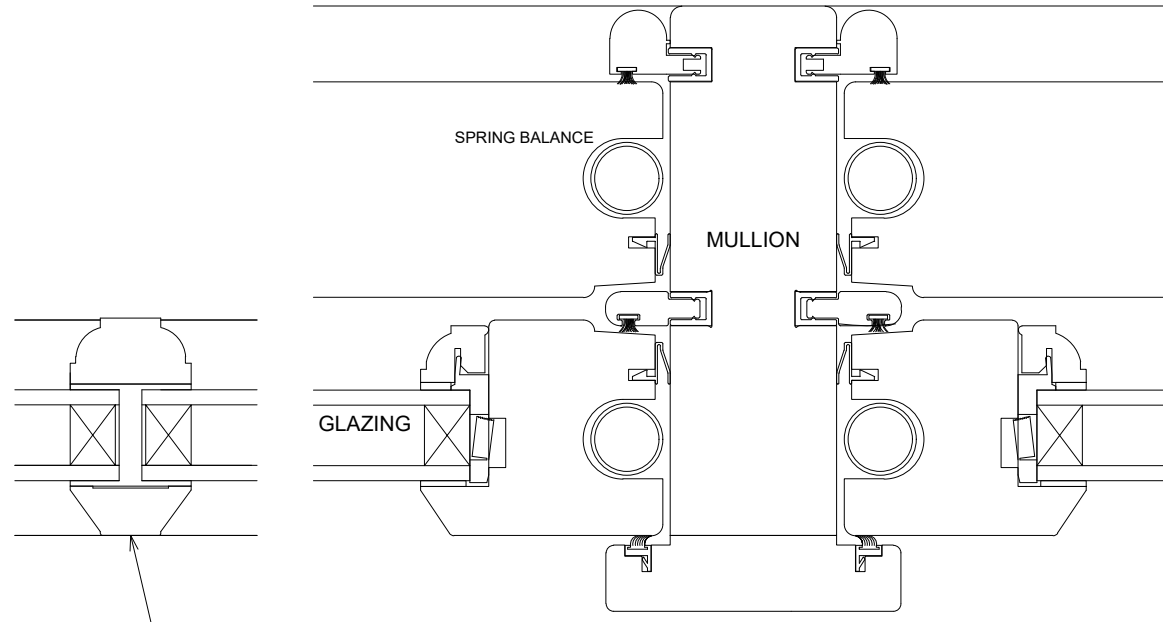
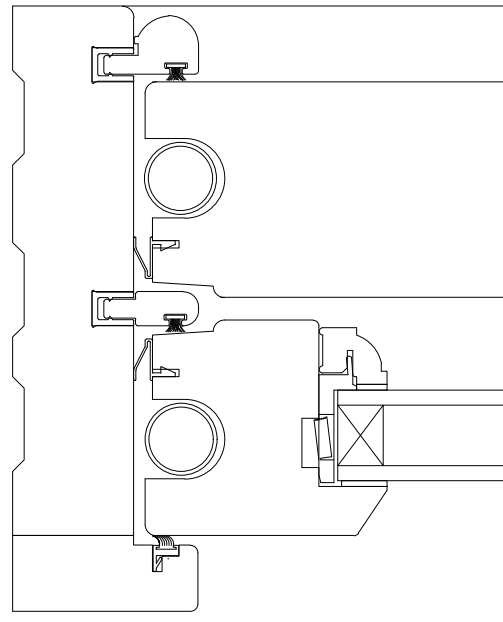


USE FIGURED DIMENSIONS ONLY.
DO NOT SCALE FROM THIS DRAWING.

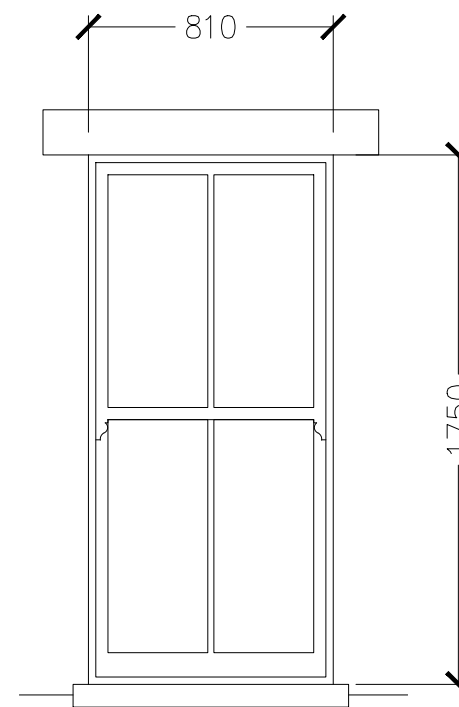
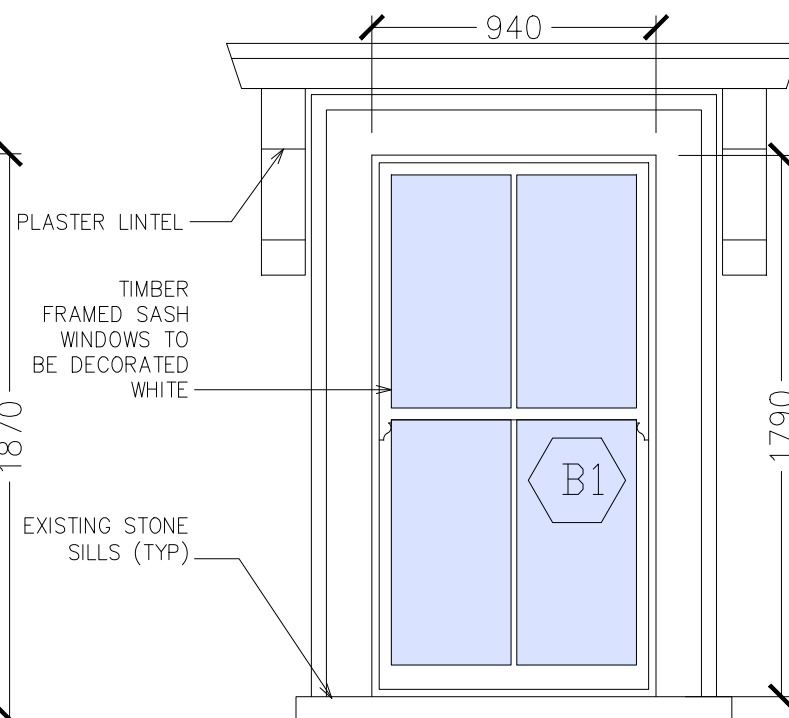
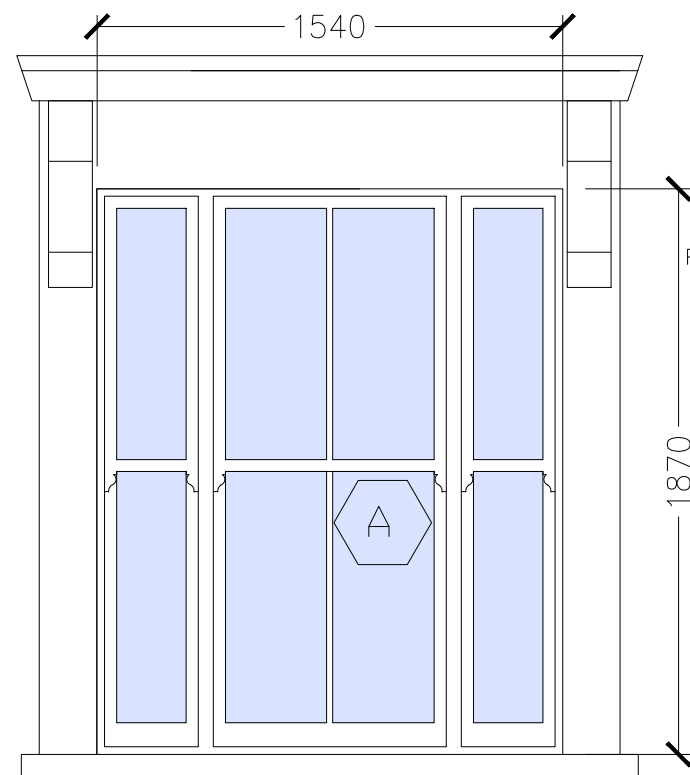
ALL DIMENSIONS MUST BE CHECKED ON SITE
& ANY INCONSISTENCIES MUST BE REPORTED
BACK TO THE ARCHITECT.

THIS DRAWING AND ANY DESIGNS INDICATED
THEREON ARE THE COPYRIGHT OF THE
ARCHITECT. ALL RIGHTS ARE RESERVED.
NO PART OF THIS WORK MAY BE REPRODUCED
WITHOUT PRIOR PERMISSION IN WRITING
FROM THE ARCHITECT.



1 HORIZONTAL SECTION DETAILS
1 : 2

SOLID TIMBER
GLAZING BARS

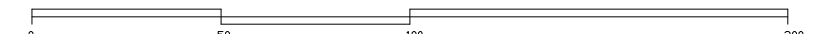
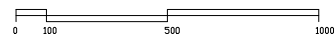


A GROUND - FRONT ELEV
1 : 25
3 NO. SLIDING SASHES

B1 B2 FIRST - FRONT ELEV
1 : 25 2 NO. WINDOWS
SLIDING SASH

C FIRST - REAR ELEV
1 : 25
SLIDING SASH

2 VERTICAL SECTION DETAILS
1 : 2



NOTES:

1. U-VALUE FOR NEW WINDOWS TO BE 1.4W/m2K
2. PROVIDE INTEGRAL TRICKLE VENTILATORS TO WINDOW FRAMES
3. FIT TOUGHENED GLASS WHEREVER FRAME LESS THAN 800MM AFF.
4. ALL OPENING CASEMENTS TO BE FITTED WITH WINDOW LOCKS.
5. WINDOWS TO BE FINISHED WHITE INTERNALLY; COLOUR (TBA) EXTERNALLY

Bchitecture

11A Beresford Road London N2 8AT
t 07932 796 407 e Bchitecture@gmail.com

LOCATION

42 Alma Street
Kentish Town NW5 3DH

DRAWING TITLE

WINDOW SCHEDULE -
NEW TIMBER FRAMES

DATE

Nov 2020

SCALE

1:25; 1:2
@A3

JOB NO

2008

DWG NO/REV

117/B