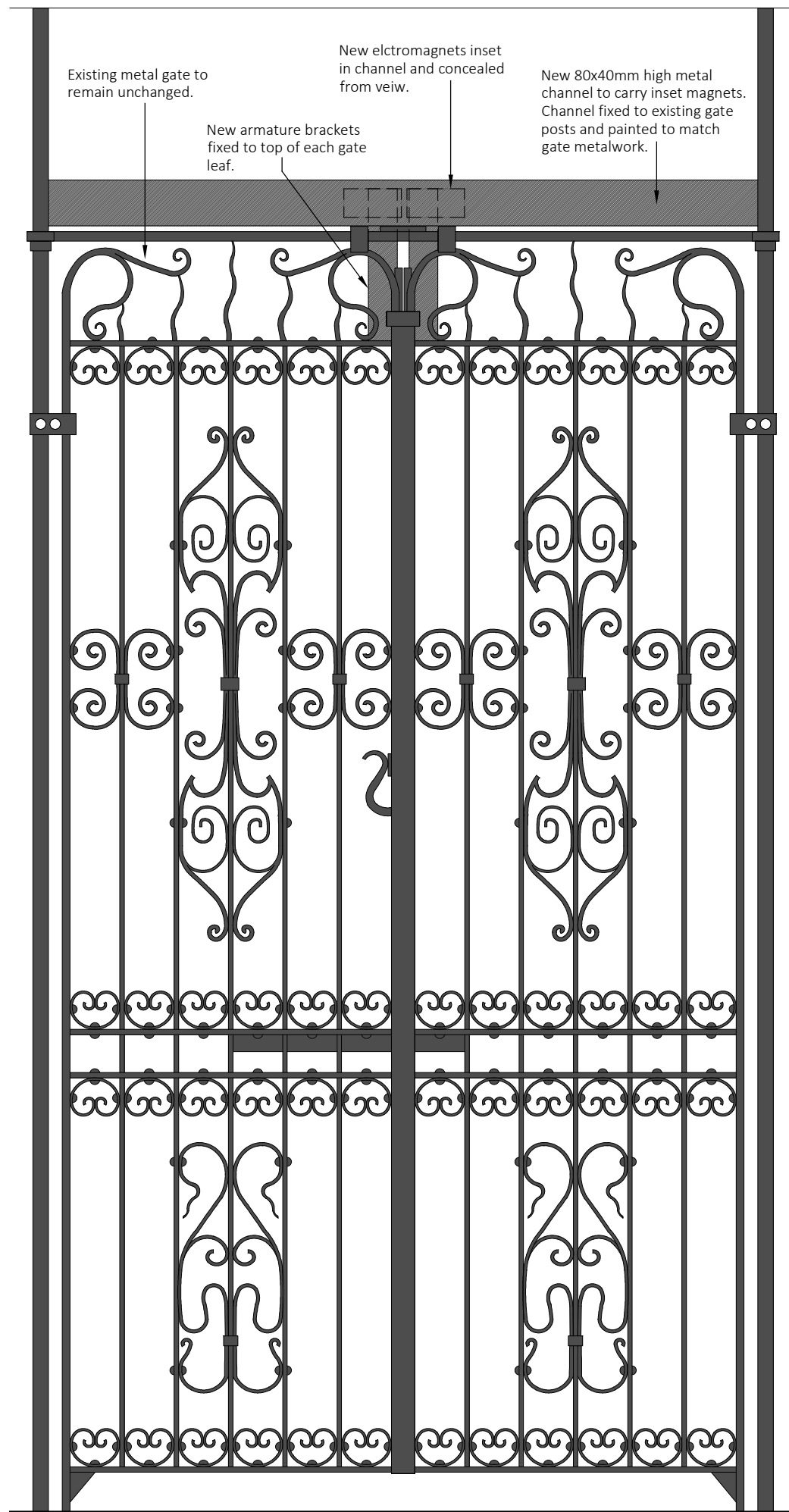
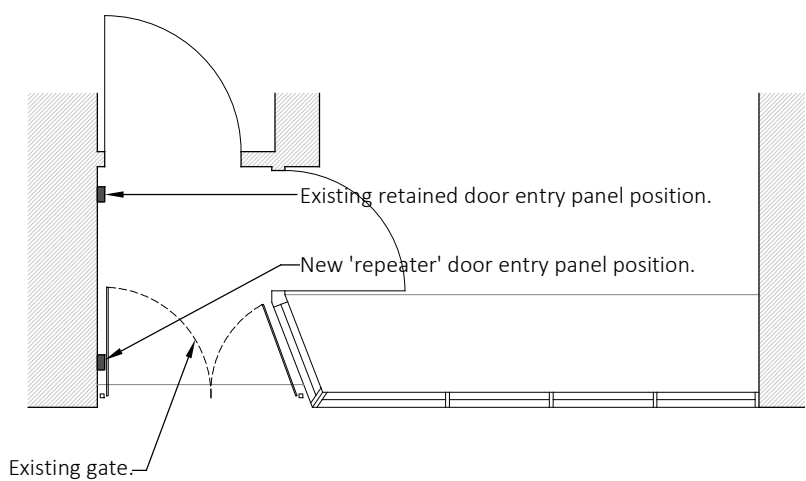




OVERALL ELEVATION - AS PROPOSED 1:50@A3



GATE ELEVATION - AS PROPOSED 1:10@A3



PARTIAL PLAN - AS PROPOSED 1:50@A3



Rev	Iss.	Description	Date
B	GM	Intercom panel positions added to plan	13.01.21
A	GM	Title block updated.	13.11.20

DRAWING TITLE	<b>Proposed Gate Details</b>
PROJECT NAME	<b>Entrance Gate</b>

ADDRESS	55 Monmouth Street London, WC2H 9DG
CLIENT	Shaftesbury Covent Garden Ltd
DRAWN BY	GM
CHECKED BY	CM

JOB NO.	24474
SCALE	As Stated@A3
DATE	Oct. 2020
DRAWING NO.	G200-RevB

