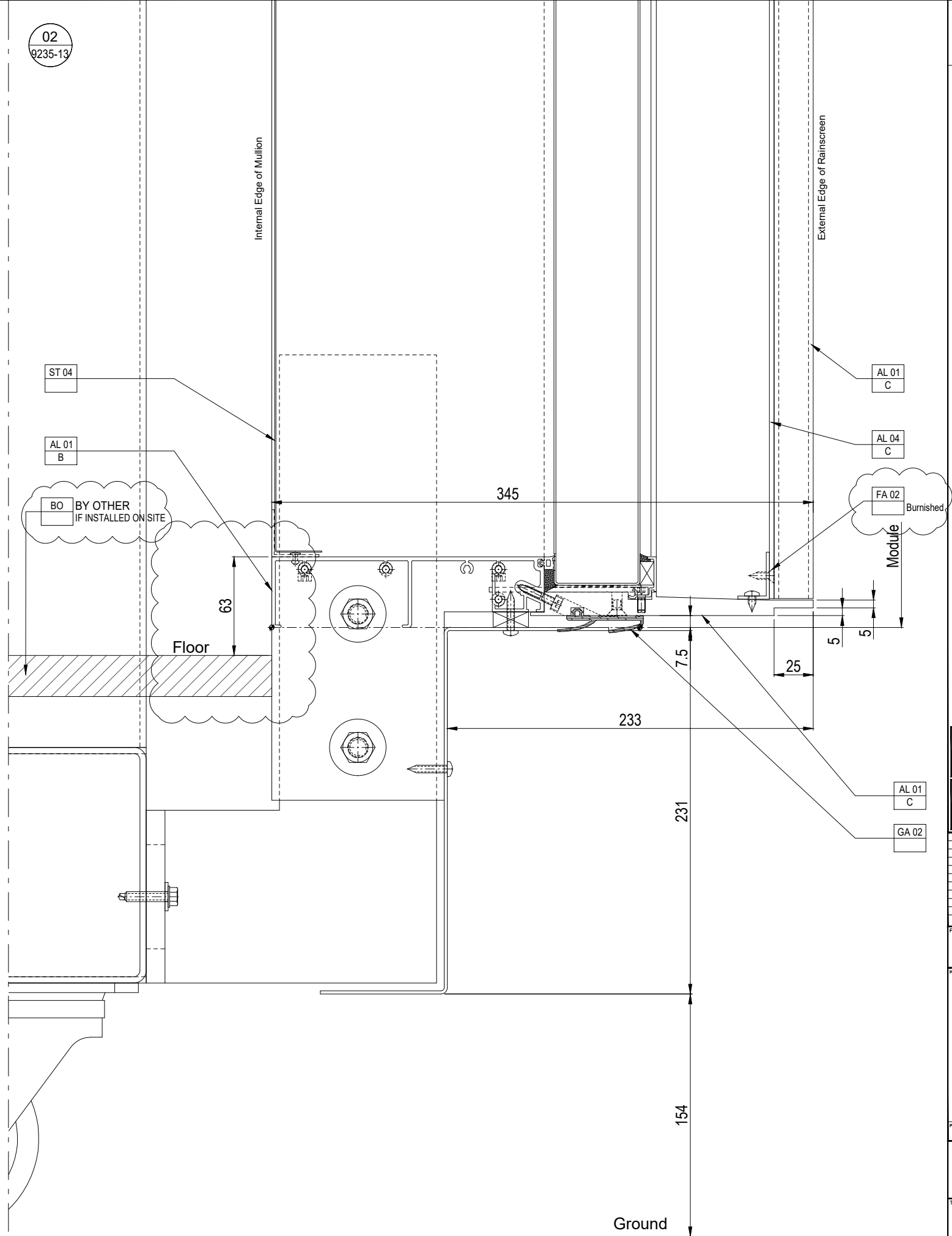
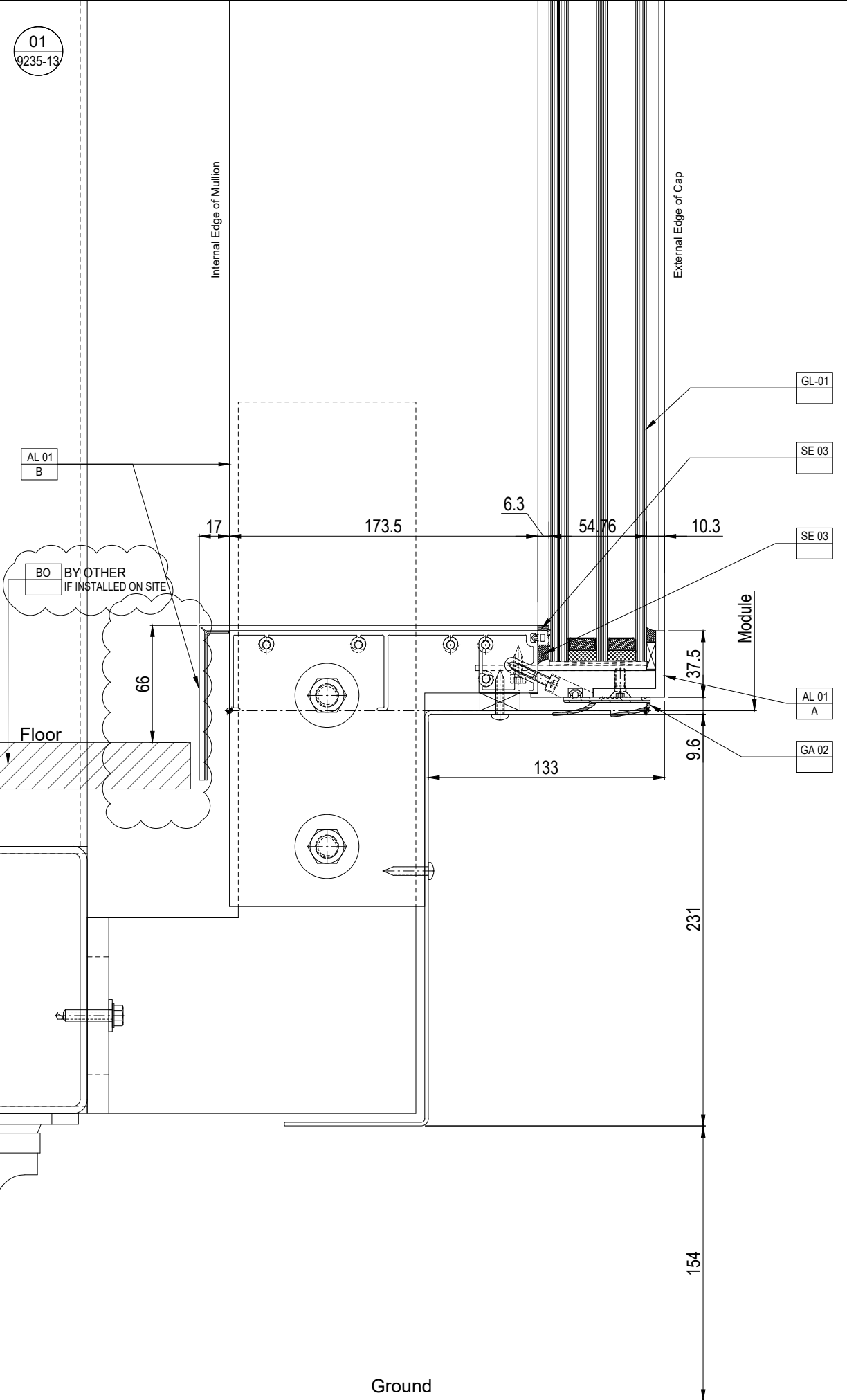


01
9235-13

02
9235-13

Proprietary Note:
The copyright of this drawing remains with us. No copies may be taken without our written consent nor the drawing made available to third parties. Legal action will be taken in case of breach of the above requirement.

NOTES:

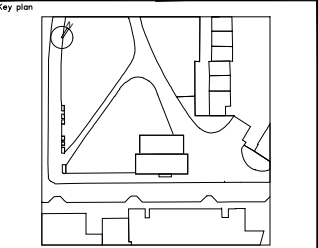


Design Architect
Stiff + Trevillon Architects Ltd
 16 Woodfield Road, London W9 2BE

Client
Henry Construction Projects Ltd
 Church Rd, Cranford, Middlesex, TW5 9RY

Rev	Date	By	Description
01	27/11/2020	DDR	SEE CLOUDS

Project name
BRILL PALCE RESIDENTIAL TOWER
 Brill Place, London



Project No. _____ Lot No. _____

bluesteel
 EXCELLENCE FOR ARCHITECTURE
 Via Vittorio Veneto, 13 - 31014 San Martino di Cala Liberato (TV) Italy
 Phone 0438-500103 - Fax 0438-500498

Title
VMU Drawings
 Vertical Details

Drawn by
 D.Serafin

Checked by
 D.Serafin

Approved by
 D.Serafin

Scale (A3 size) _____ First date of issue
 09.11.2020

Status Drawing No. **0182-9235-13** Revision No. **01**

DIVULGATION AND REPRODUCTION FORBIDDEN BY LAW