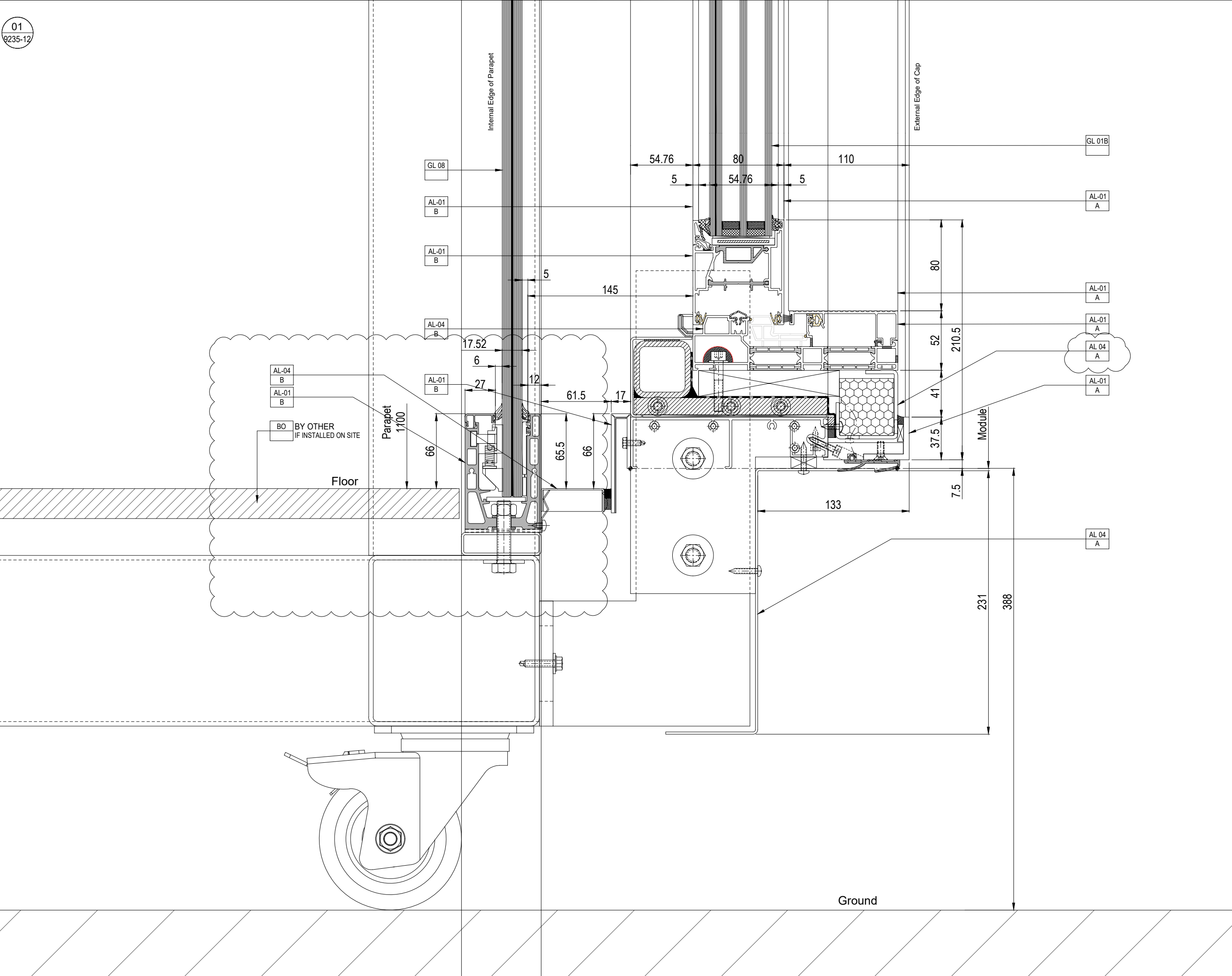


NOTES:

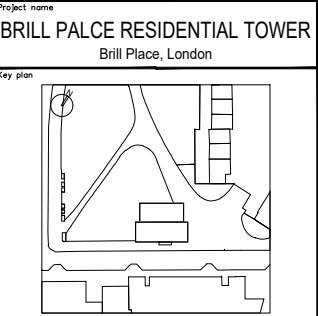


Design Architect
Stiff + Trevillon Architects Ltd
 16 Woodfield Road, London W9 2BE

Client
Henry Construction Projects Ltd
 Church Rd, Cranford, Middlesex, TW5 9RY

Rev	Date	By	Description
01	27/11/2020	DDR	SEE CLOUDS

Project name
BRILL PALCE RESIDENTIAL TOWER
 Brill Place, London



Project No. _____ Lot No. _____

bluesteel
 EXCELLENCE IN ARCHITECTURE
 Via Vittorio Veneto, 11 - 31014 San Martino di Cala Liberata (TV) Italy
 Phone 0438-500103 - Fax 0438-500498

Title
VMU Drawings
 Vertical Details

Drawn by D.Serafin	Checked by D.Serafin	Approved by D.Serafin
Scale (As indicated)	File date of issue 09.11.2020	
Sheet No. 0182-9235-12	Drawing No.	Revision No. 01

DIVULGATION AND REPRODUCTION FORBIDDEN BY LAW