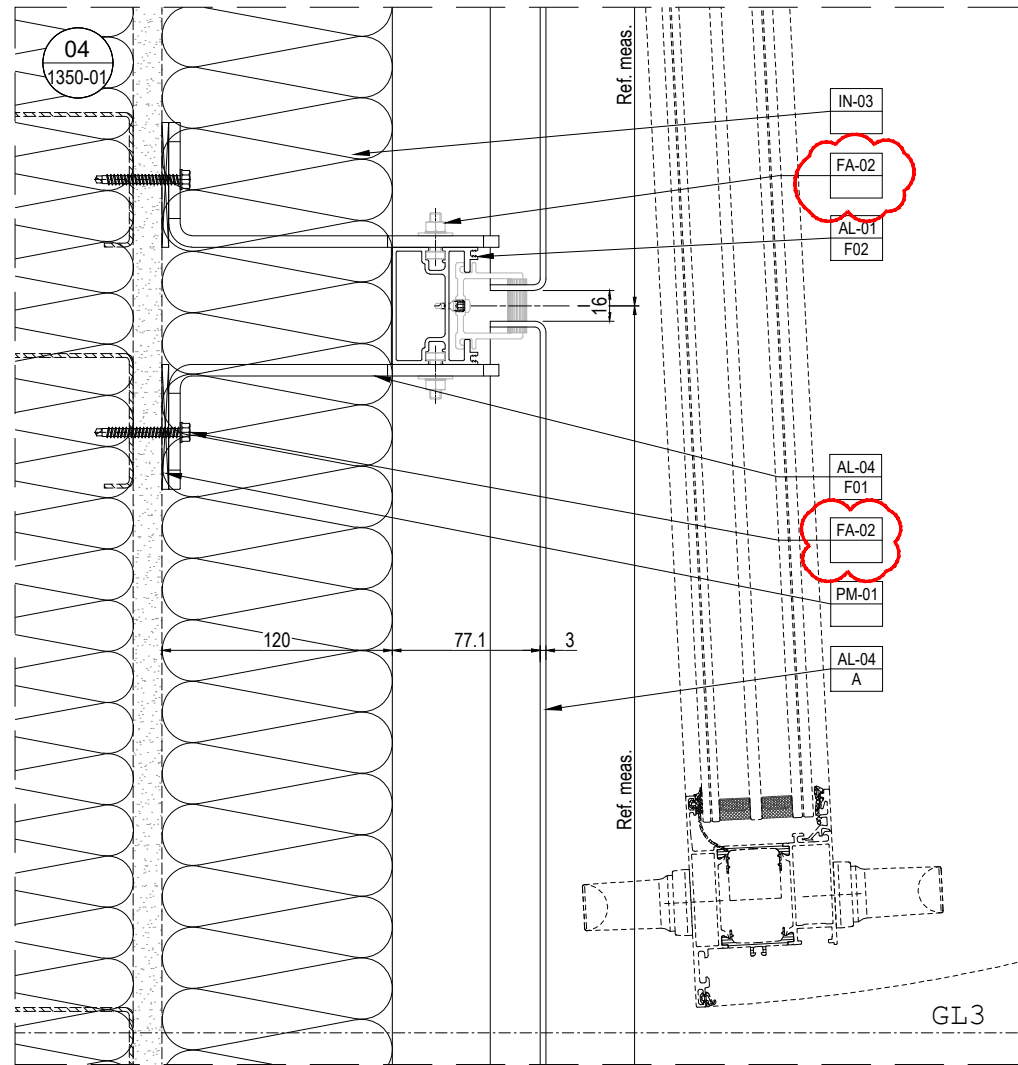
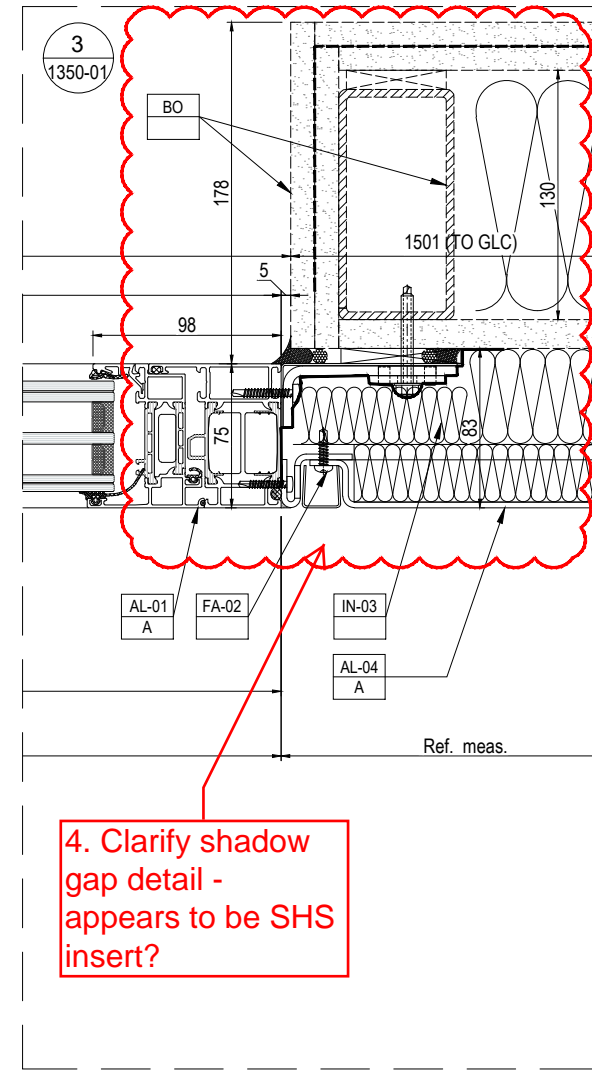
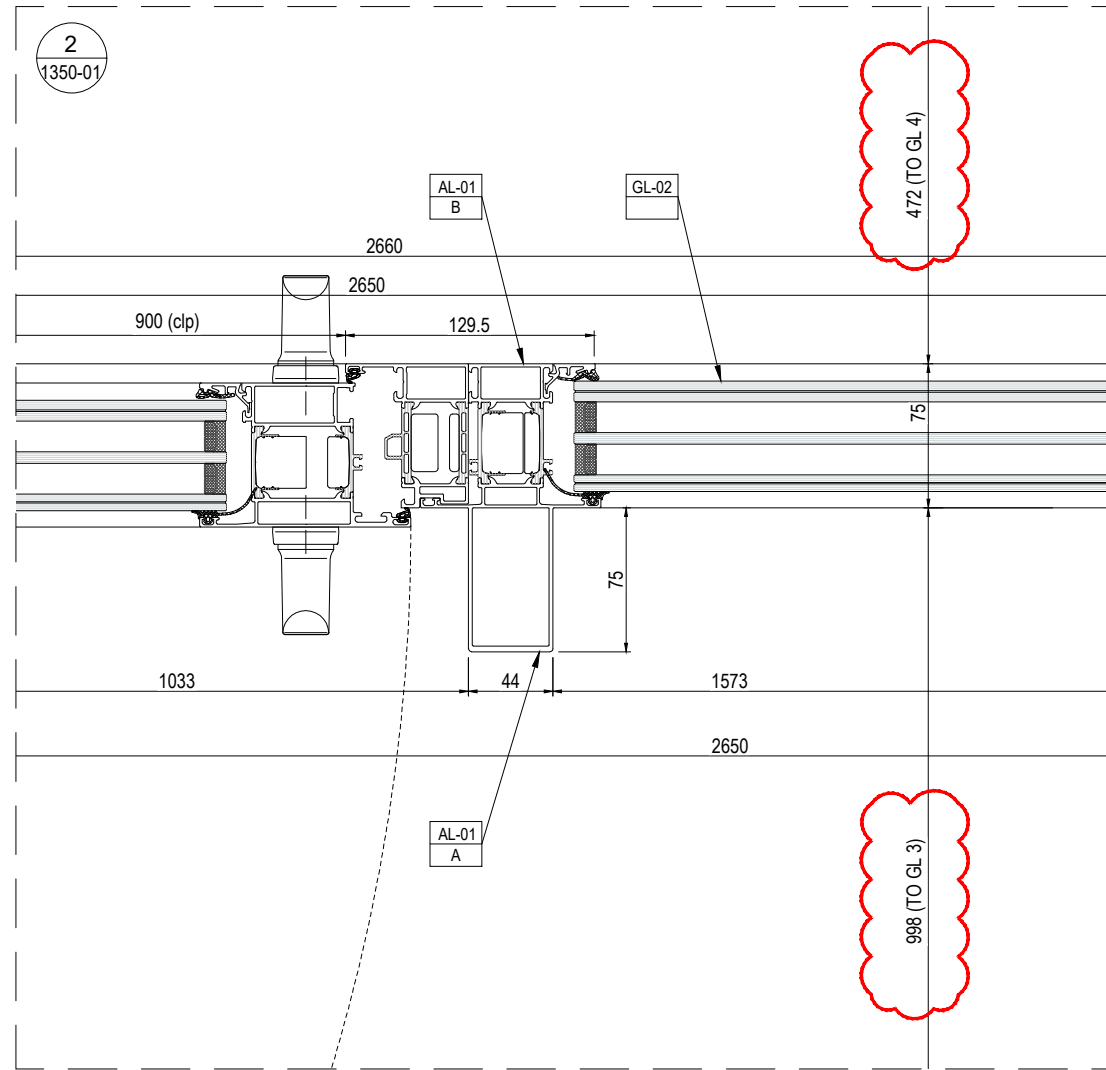
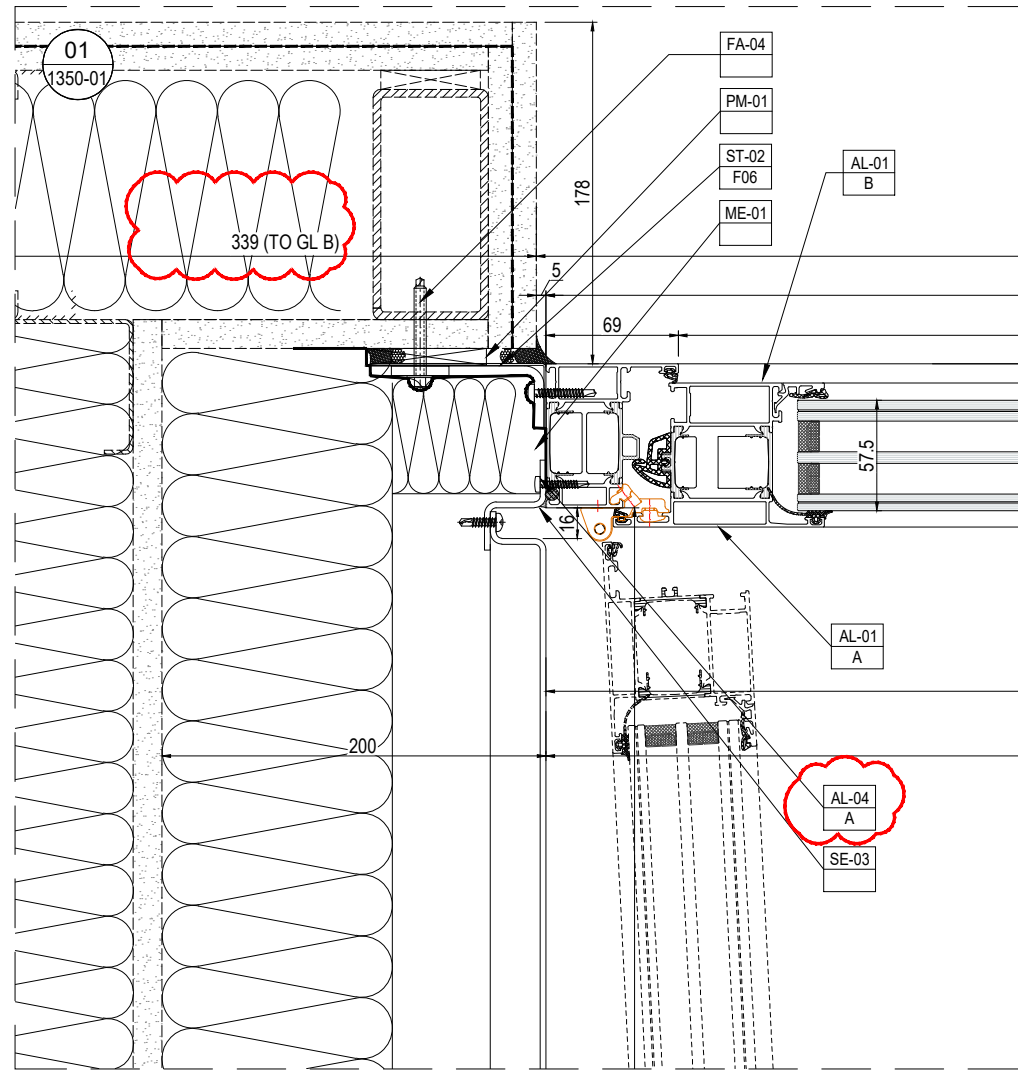


NOTES:

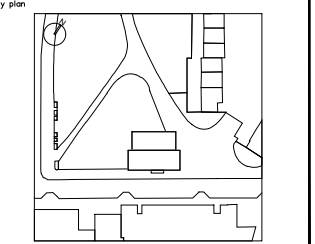


Design Architect
Stiff + Trevillon Architects Ltd
16 Woodfield Road, London W9 2BE

Client

Rev	Date	By	Description
01	29/04/2020	FDC	SEE RED CLOUDS

Project name
BRILL PLACE RESIDENTIAL TOWER
Brill Place, London



bluesteel
EXCELLENCE FOR ARCHITECTURE
Via Vittorio Veneto, 13 - 31014 San Martino di Colle Umberto (TV) Italy
Phone 0438-500103 - Fax 0438-500498

Title
Windows system AWS75
EWS03 - Door & windows system
Horizontal Details

Drawn by: FDC
Checked by: D. Da Re
Approved by: D. Da Re
Scale (A3 size):
First date of issue: 16.04.2020

Status: Drawing No. **0182-1350-01** Revision No. **01**
DIVULGATION AND REPRODUCTION FORBIDDEN BY LAW