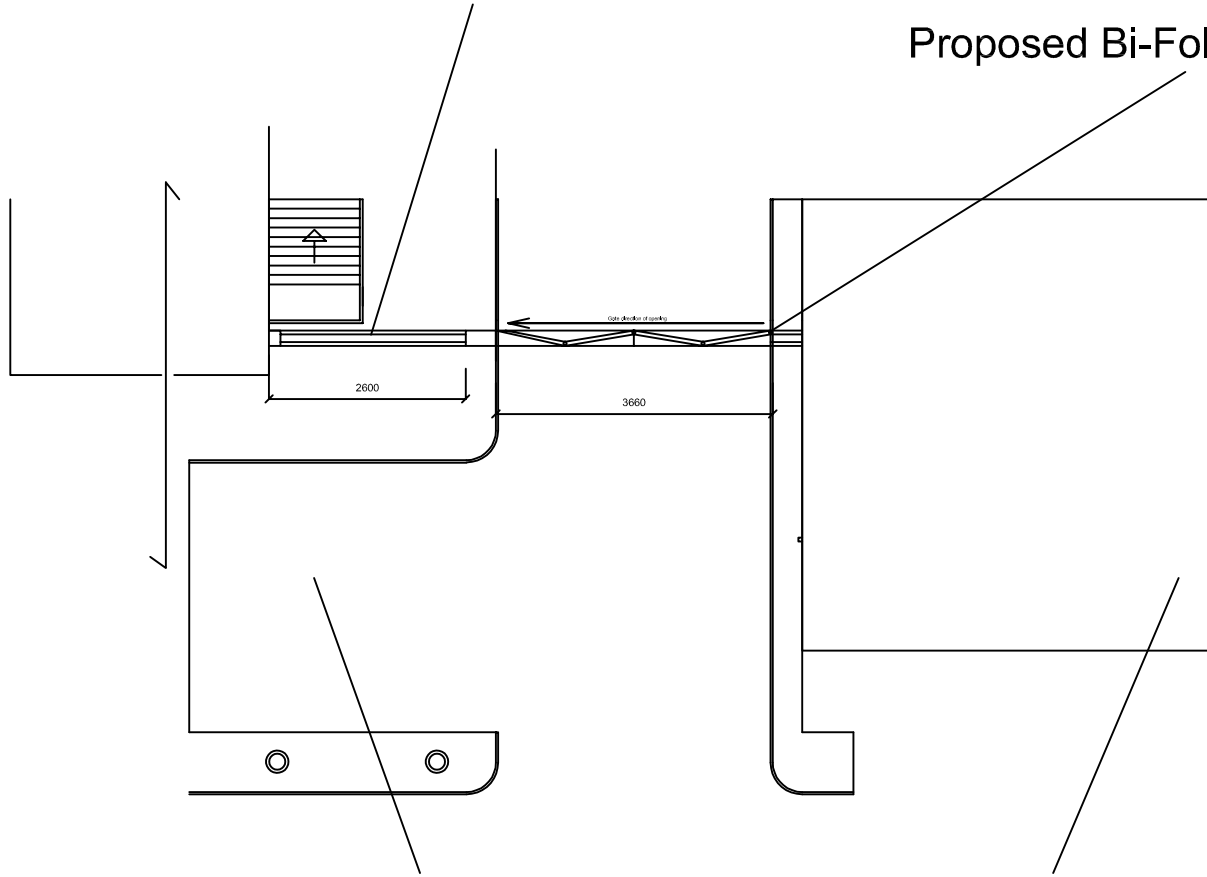


Proposed Railing (2400mm high)

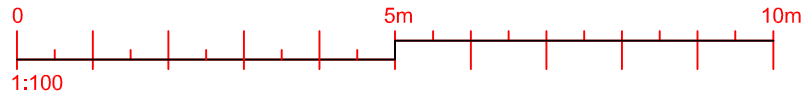
Proposed Bi-Folding Gate



Car Parking Spaces

Adjacent Building

Proposed Bi-Folding Gate: Material- Steel, Finish: Powder coated; Blue



© Mayor's Office for Policing and Crime 2018

**METROPOLITAN POLICE SERVICE  
COMMERCIAL & FINANCE  
PROPERTY SERVICES DIRECTORATE**

11TH FLOOR,  
EMPRESS STATE BUILDING,  
EMPRESS APPROACH,  
LILLIE ROAD, LONDON, SW6 1TR

REV.	DESCRIPTION	DATE
DRAWING PURPOSE: PLANNING		
PROTECTIVE MARKING: OFFICIAL		
DRAWING STATUS:	INITIAL NON CONTRACTUAL CODE	SUITABILITY S0
GENERAL NOTES: N/A		
FOIA PUBLICATION:	No	
DRAWING TITLE: Proposed Plan		
SITE NAME: <b>POLICE SITE KENTISH TOWN</b>		
BUILDING / PROJECT NAME: <b>GATE RENEWAL SCHEME</b>		
SITE ADDRESS: <b>10-12A Holmes Rd, Kentish Town, London</b>		
POSTCODE:	NWS 3AE	
BOROUGH:		
COORDINATES:	E: N/A	N: N/A
SITE / URB NO:	<b>0486</b>	UNIT NO: <b>02</b>
DATE PUBLISHED:	17/06/2020	REVIEW DATE: 18/06/2020
OCU / BRANCH:	TBC	SCALE (@ A2): 1:100
DRAWN:	MW	CHECKED: ID
DATE:	17/06/2020	DATE: 18/06/2020
APPROVED:		
AUTHOR: BAILY GARNER		
WBS NO:		
DRAWING NUMBER: <b>048601-BG-S4-XX-DR-B-0002</b>		REV / VER: <b>P05.01</b>