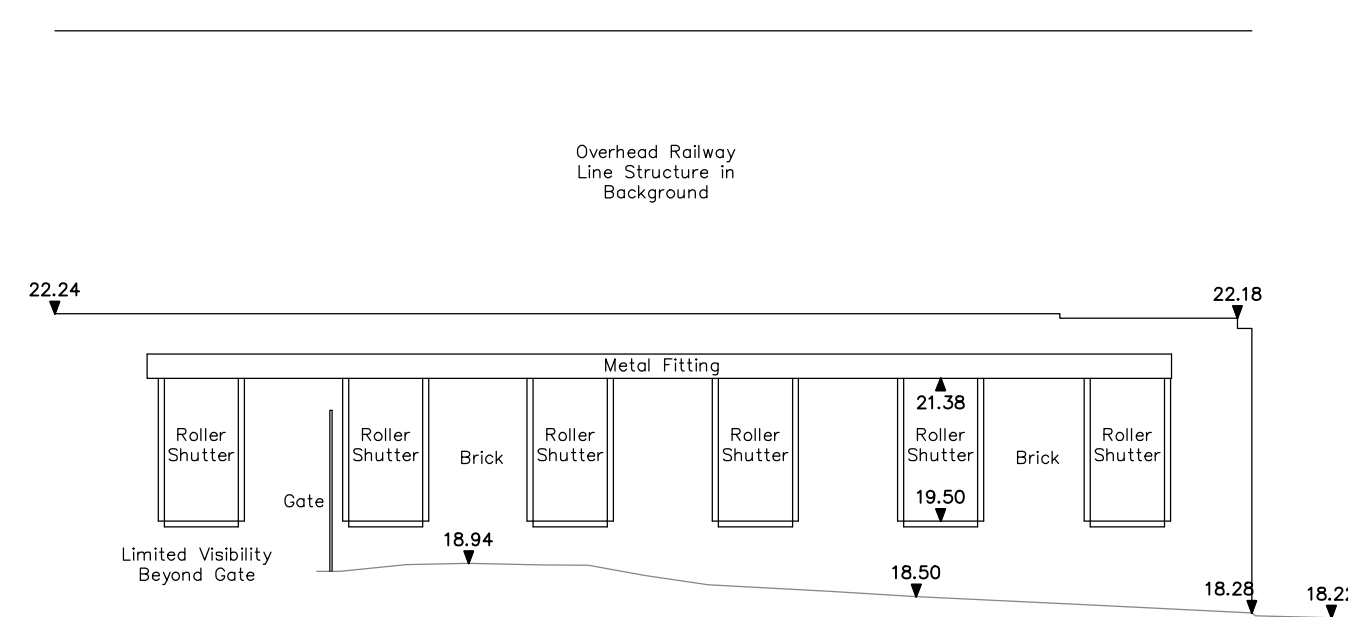
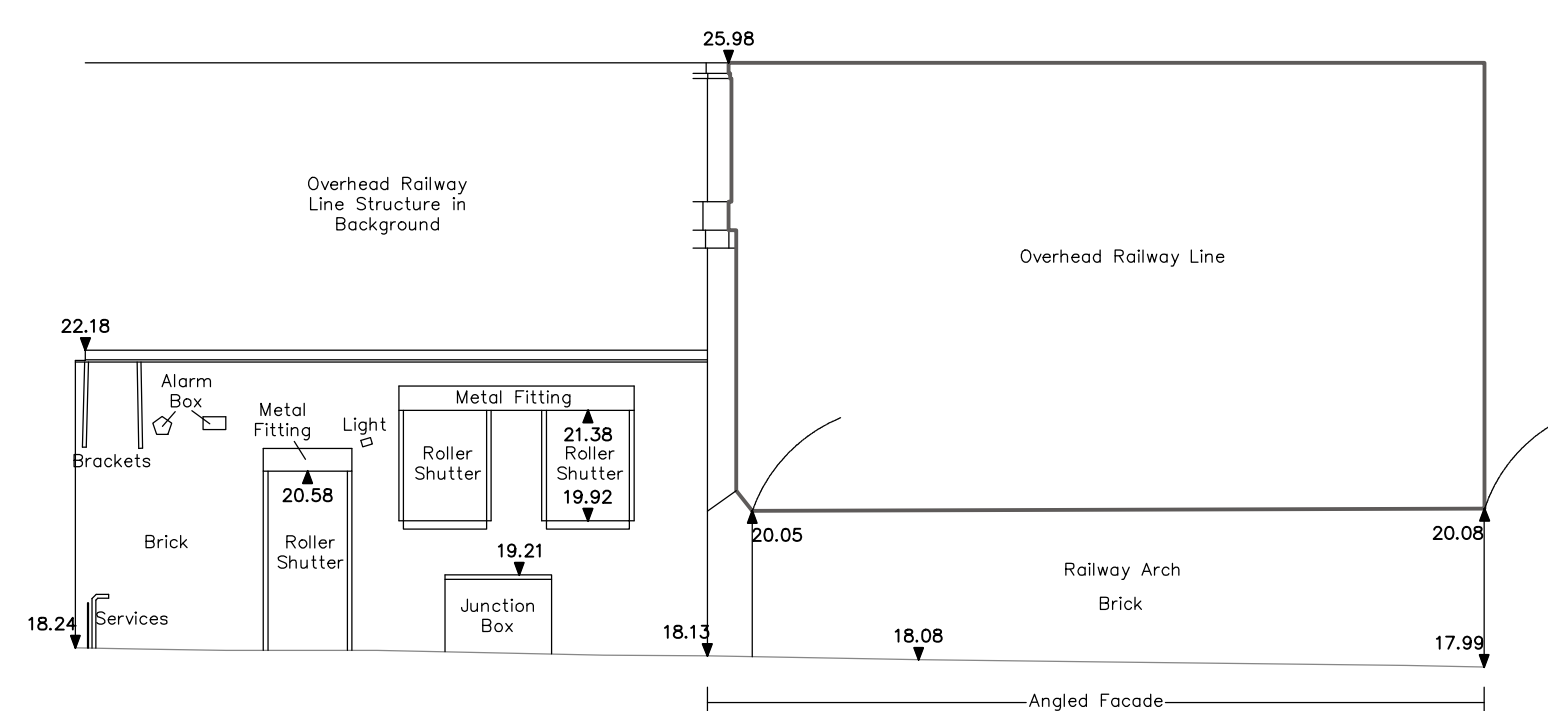


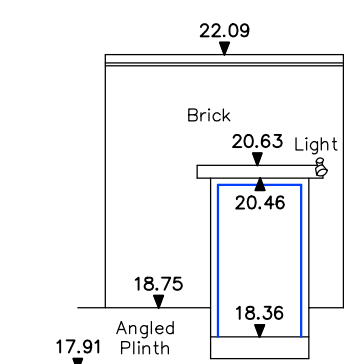
ELEVATION  
Spring Place Road  
1:100 @A1



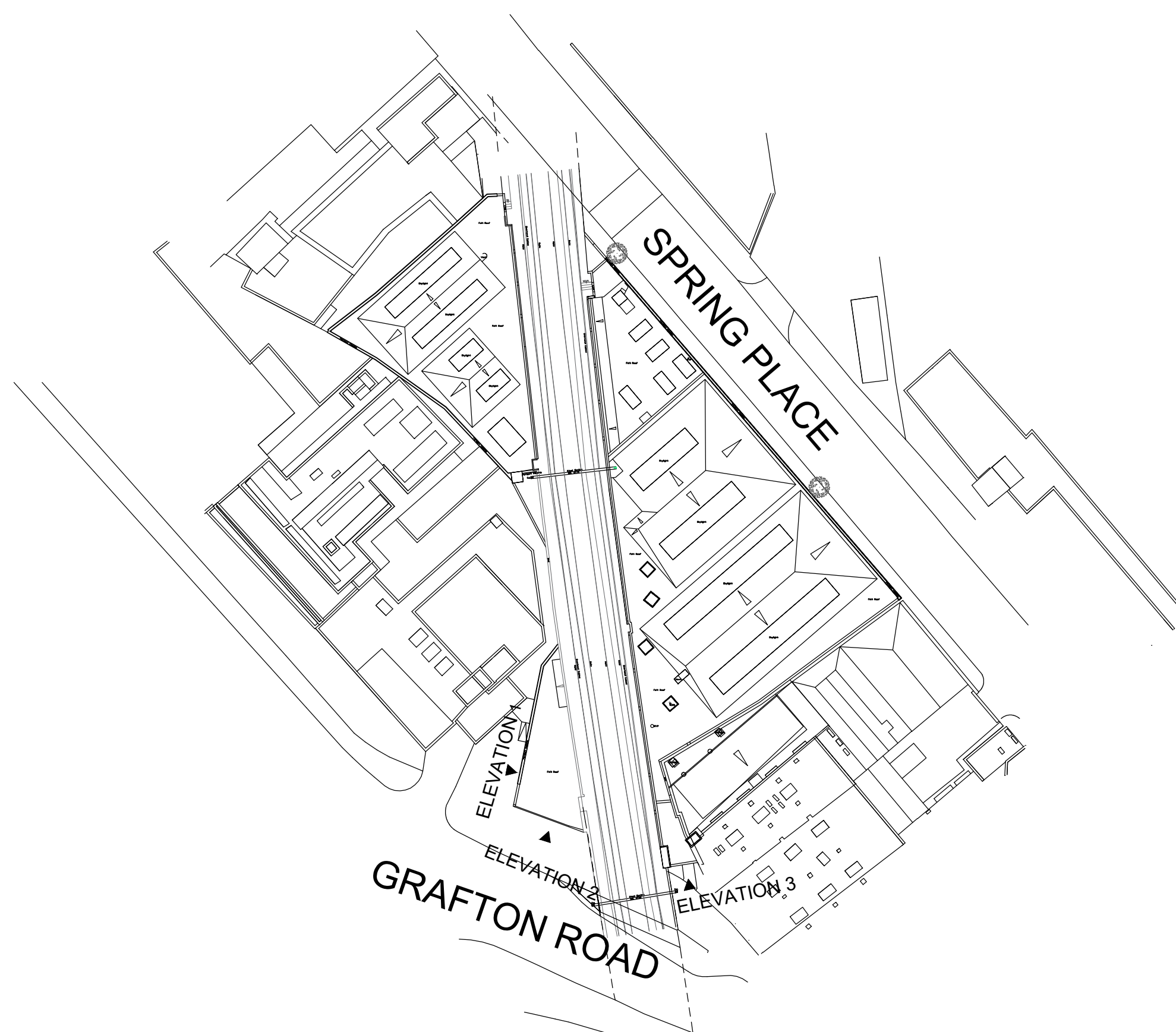
ELEVATION 1  
Grafton Road  
1:100 @A1



ELEVATION 2  
Grafton Road  
1:100 @A1



ELEVATION 3  
Grafton Road  
1:100 @A1



**SEGRO**  
**SGP**

Architects + Masterplanners

Waterfront House  
2a Smith Way  
Grove Park  
Enderby  
Leicester LE19 1SX

t: +44 (0)116 247 0557

[www.stephengeorge.co.uk](http://www.stephengeorge.co.uk)

Refurbishment  
3-6 Spring Place  
Kentish Town

Drawing Name:  
Existing Elevations

Drawing Stage: PLANNING

Suitability: S2 - Information

SGP File Ref: 19-275

19-275 30/09/2020 AZ JN 1:100 @ A1

SGP Project No: Date: Drawn: Team: Scale: Rev:

Drawing Number:

19-275 - SGP - XX - XX - DR - A - 130300

Project Code Originator Volume Level Type Role Number

