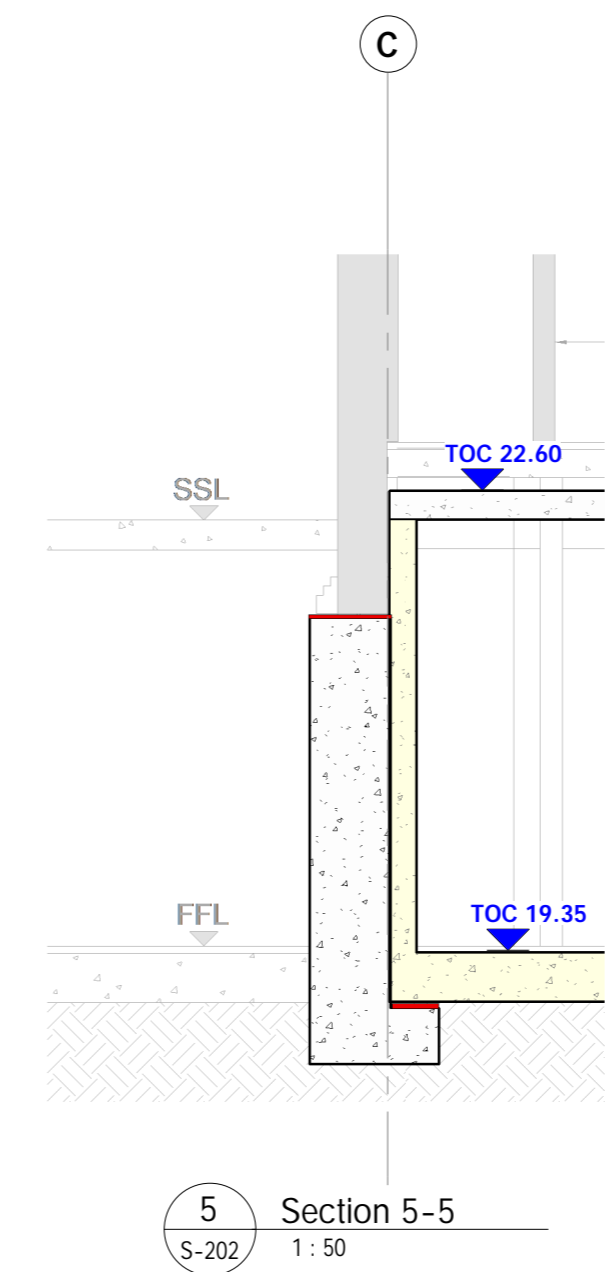
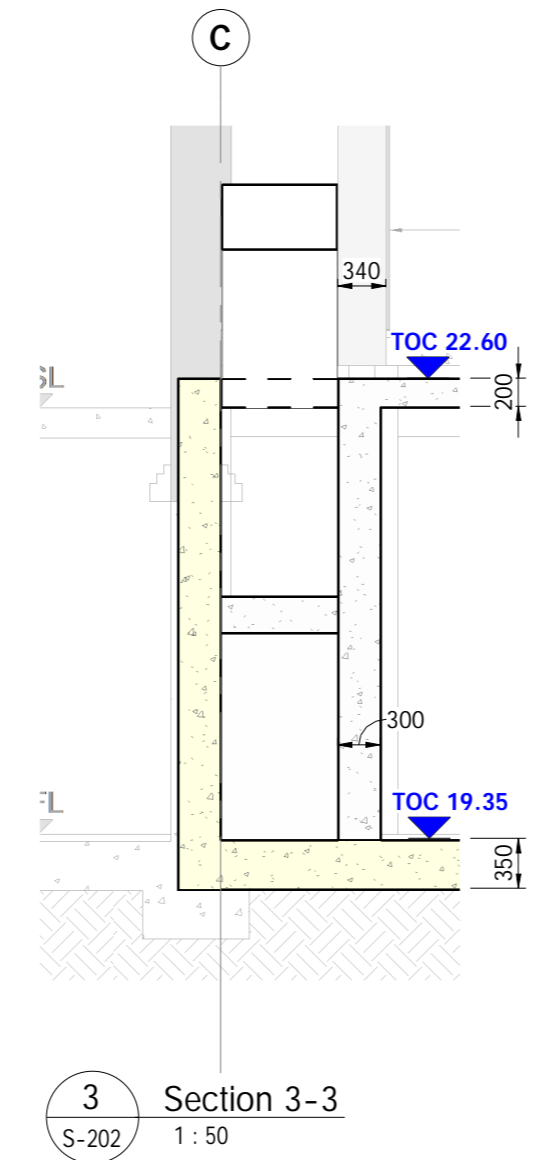
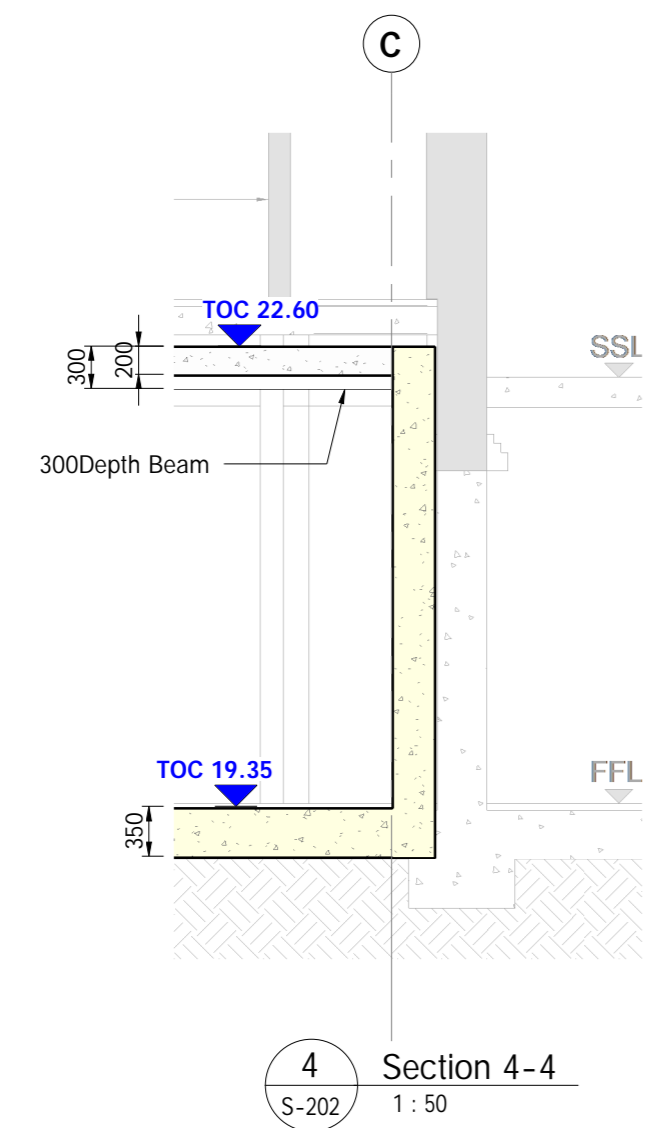
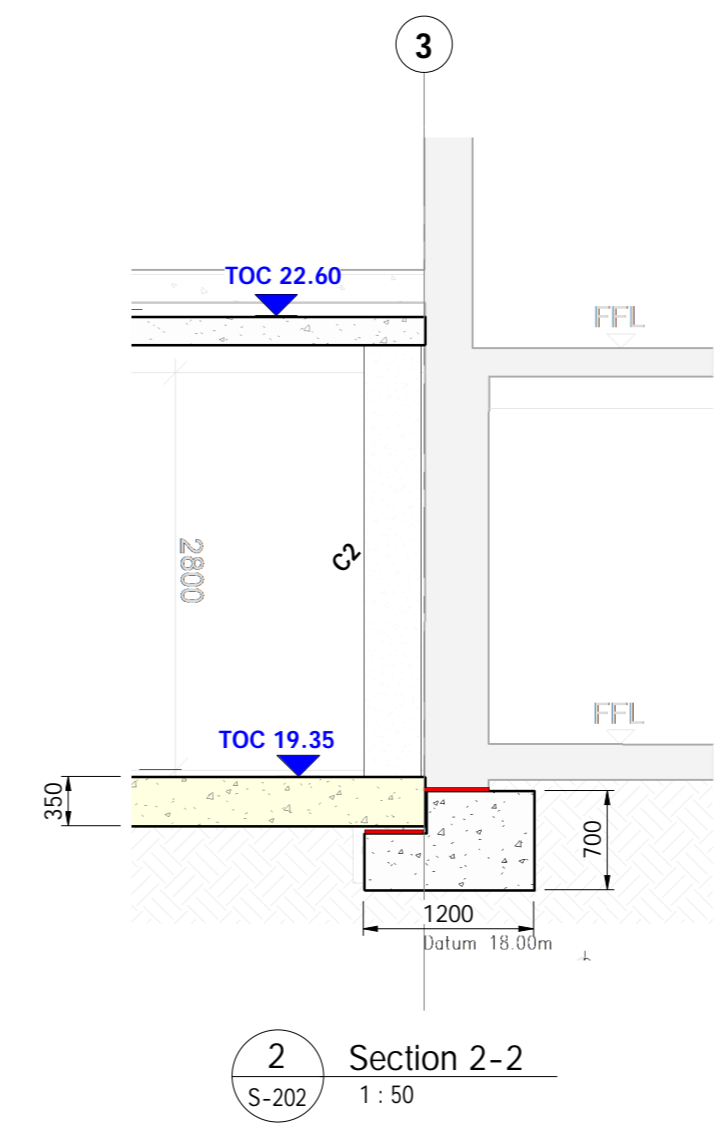
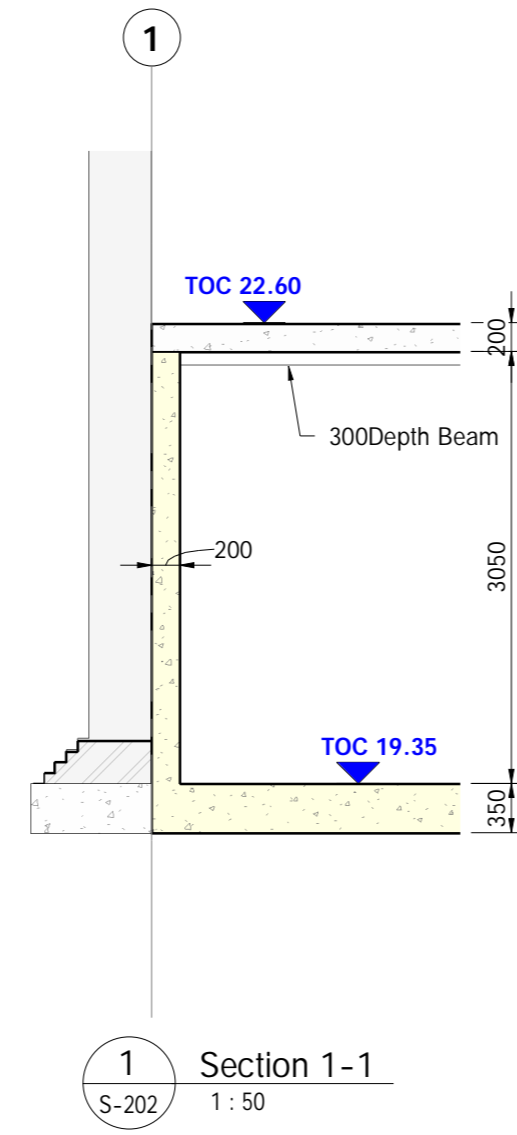


- GENERAL NOTES:**
1. Do not scale this drawing in either paper or digital form. Use figured dimensions only.
  2. All 'Ross & Partners' drawings to be read in conjunction with all relevant Architect's drawings and any discrepancies reported to all relevant parties.
  3. This drawing is to be read in conjunction with other 'Ross & Partners' drawings and 'Ross & Partners' Structural Specification documents and any discrepancies reported to all relevant parties.
  4. Settling out will be in accordance with the Architect's dimensions and as discussed and agreed between Client, Contractor and the Architects and any discrepancies reported to all relevant parties.
  5. For General Notes refer to drawings:
    - 2012-RP-XX-XX-FN-S-001
    - 2012-RP-XX-XX-FN-S-002
    - 2012-RP-XX-XX-FN-S-003



No.	Rev.	By	Description	Date
3	P03	AA	Issued for Planning Application	2020 12 03
2	P02	AA	Updated to comments	2020 11 06
1	P01	AA	Issued for Comments	2020 08 20

CLIENT	COLIN FRASER
PROJECT MANAGER	
ARCHITECT	SMITH C-H ARCHITECTS
M+E ENGINEER	
ROSS & PARTNERS	Consulting Civil & Structural Engineers 1 Bastwick Street, Clerkenwell, London, EC1V 3NU tel. 020 755 360 50 ross-partners.co.uk
JOB TITLE	25 JOHN'S MEWS LONDON
DRG TITLE	SECTIONS AND DETAILS
DRN:	AA CHD: MO'R DATE: JULY 2020
STATUS:	S4 - FOR STAGE APPROVAL SCALE: 1:50 @ A2
Project/DRG No.	Rev.
2012-RP-XX-ZZ-DR-S-401	P03