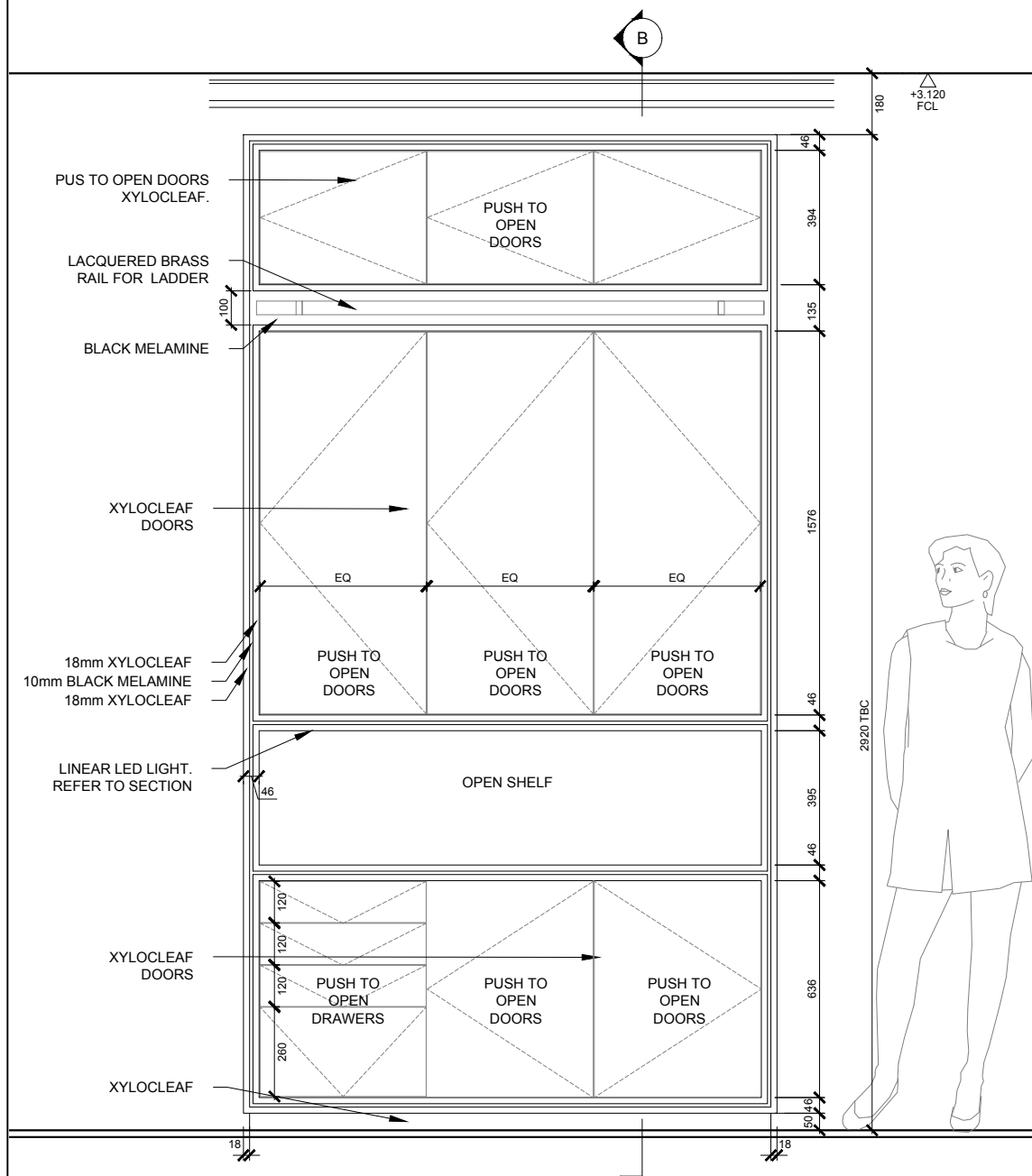


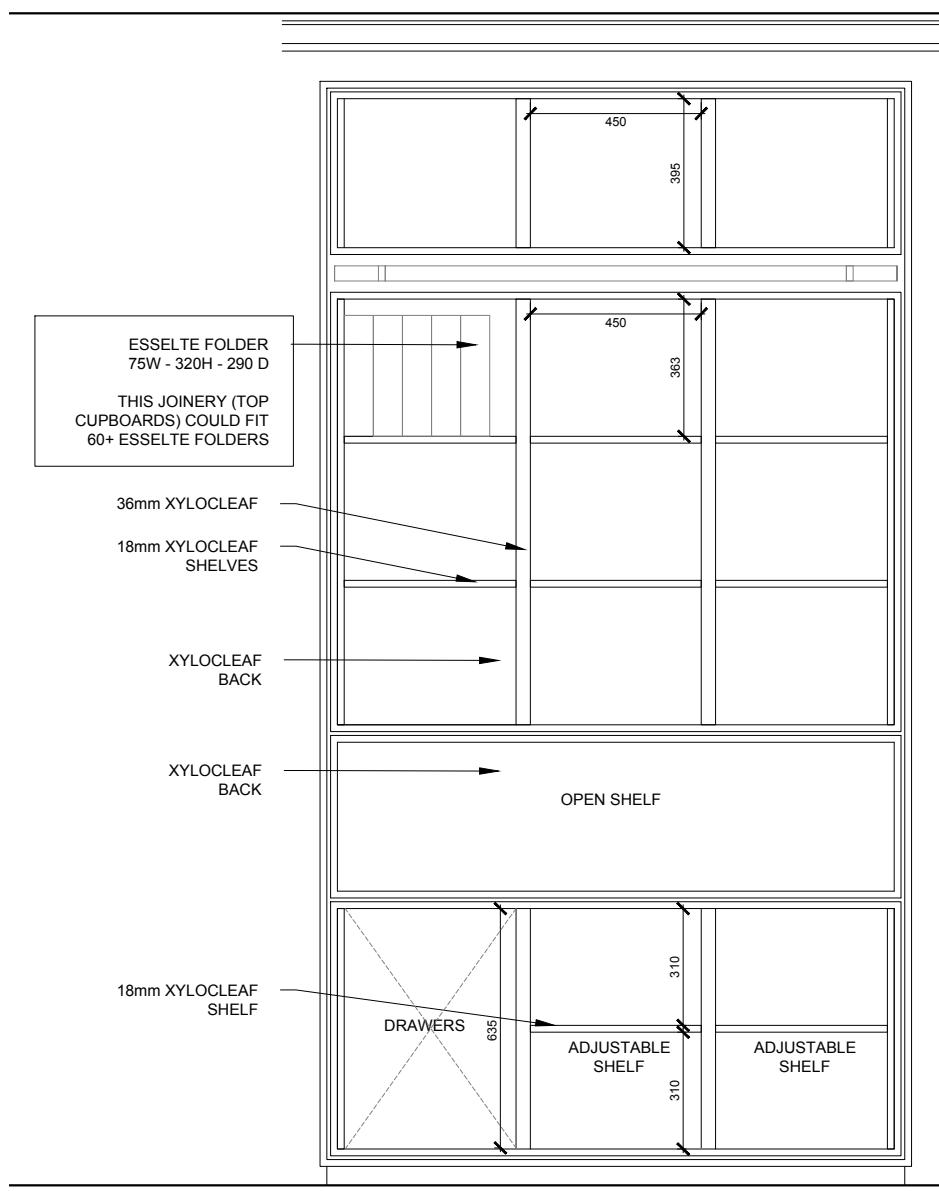
- No information or designs contained within this document should be copied or reproduced without the specific consent of Gunter & Co Interiors Ltd.
- Do not scale from this drawing. Any areas, measurements or distances given are approximate only and should be confirmed before design or fabrication.
- Any drawings, photos, or computer generated images shown are indicative and cannot be guaranteed to represent the complete interiors or exteriors of a scheme.
- © 2017 Gunter & Co Interiors Ltd. All Rights Reserved

Notes A3

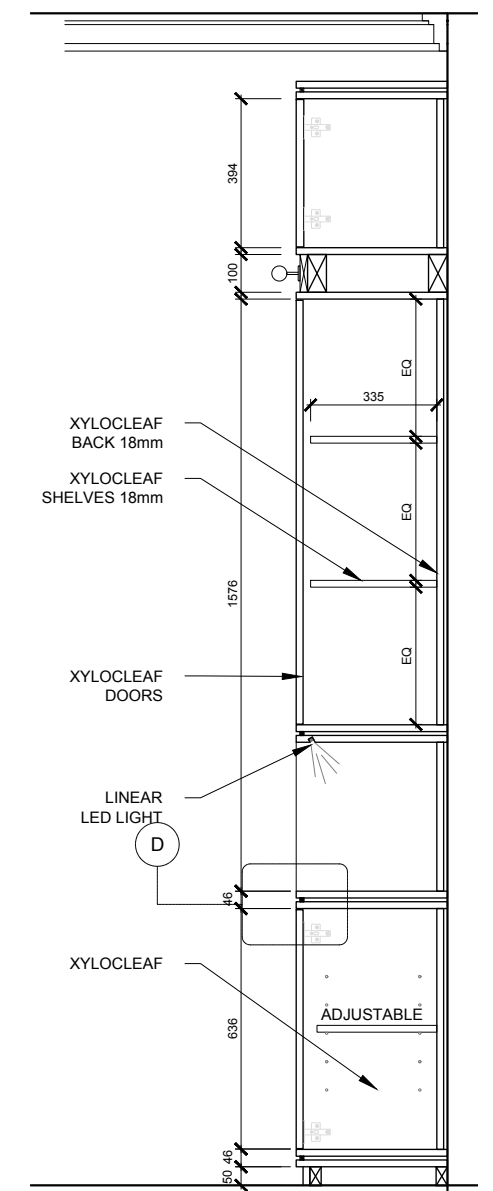
**NOTE:**  
**FOR DESIGN INTENT ONLY.**  
**ALL DIMENSIONS SHOULD**  
**BE CHECKED ON SITE.**



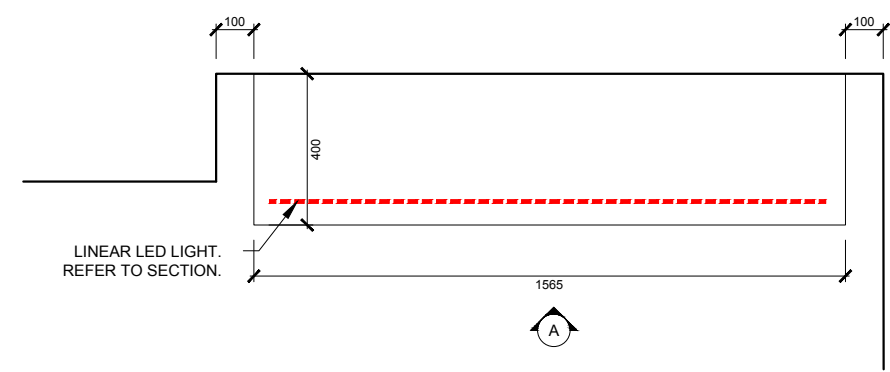
**02** Room 3 - Nick's Library - Elevation A  
scale 1:20 @A3



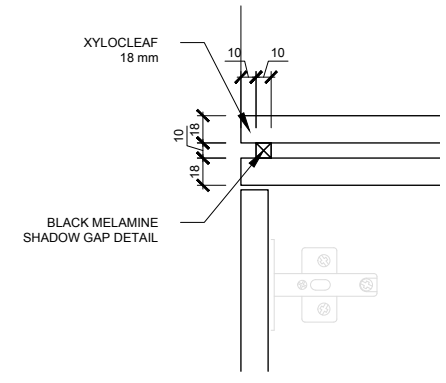
**03** Room 3 - Nick's Library - Internal Elevation A  
scale 1:20 @A3



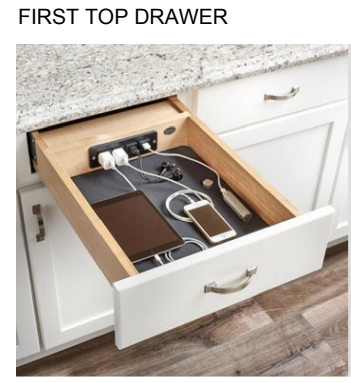
**04** Room 3 - Nick's Library - Section B  
scale 1:20 @A3



**01** Room 3 - Nick's Library - Plan  
scale 1:20 @A3



**05** Room 3 - Nick's Library - Detail C  
scale 1:20 @A3



**06** Charging point drawer  
scale 1:N/A @A3

**XYLOCLEAF**  
Kaki FA44 - Penelope

**Black Melamine MDF**  
to be approved by G&CO

**RAIL BAR FITTINGS**

- SB-76-25 -Satin Brass Closed Upright Gallery Bracket 25mm
- SB-75-25 - Satin Brass Open Upright Gallery Bracket 25mm
- PB-96-25 - Liner joint fittings 25mm Satin Brass

A	REVISION AFTER CLIENT MEETING	27.11.2020
-		20.10.2020
Rev	Note	Date

Project Title  
**FALCON**

Drawing Title  
**Joinery - Room 3  
Nick's Library**

Date	Scale	Drawn By
27.11.2020	1:20 at A3	MB
Drawing No	Rev	
FL- FF - 434	A	

GUNTER & Co. INTERIORS

Unit 1.23 The Plaza  
535 King's Road  
London, SW10 0SZ  
United Kingdom  
+44 (0)20 7993 8583