



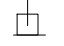



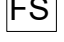
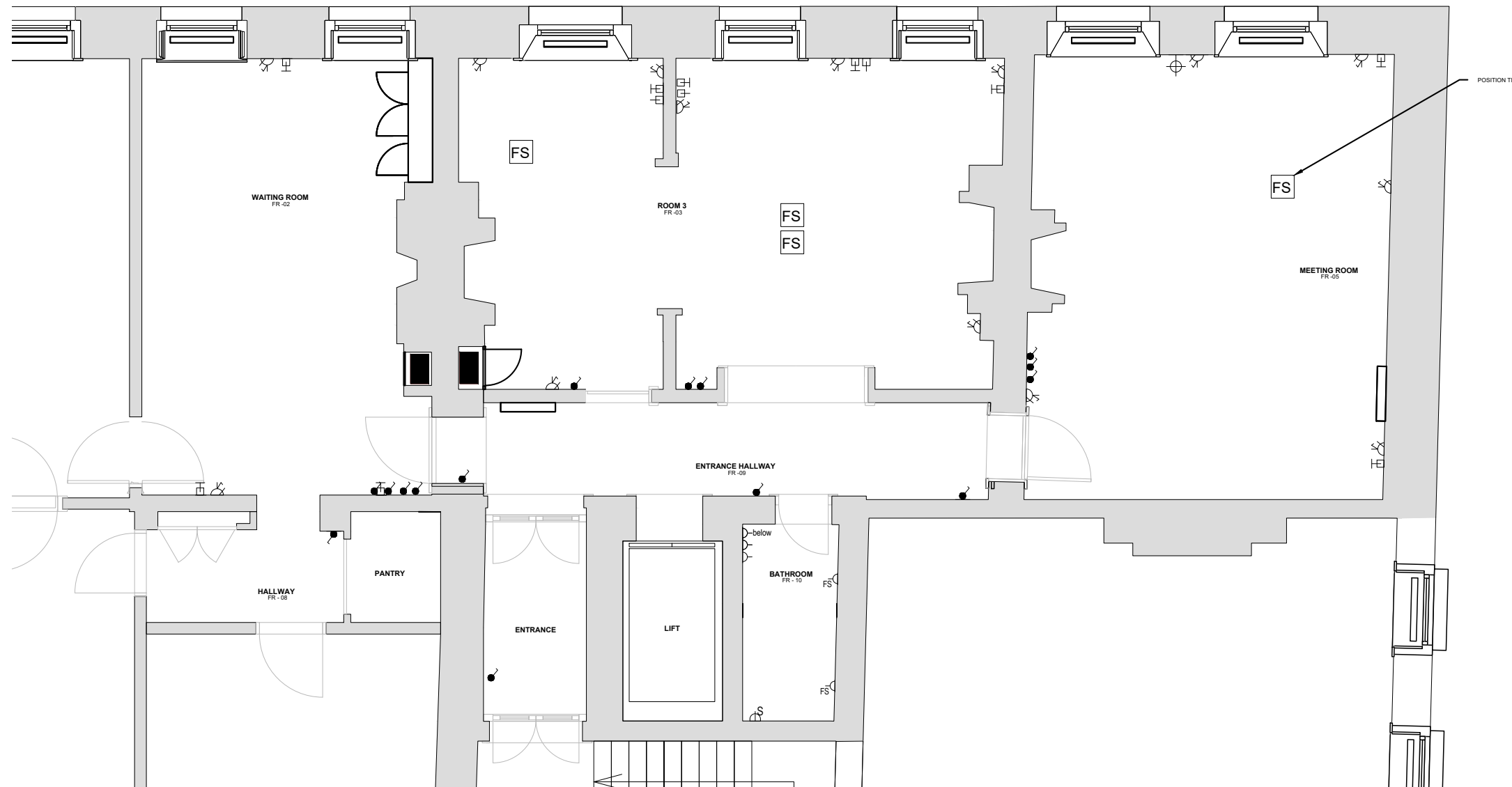


- No information or designs contained within this document should be copied or reproduced without the specific consent of Gunter & Co Interiors Ltd.
- Do not scale from this drawing. Any areas, measurements or distances given are approximate only and should be confirmed before design or fabrication.
- Any drawings, photos, or computer generated images shown are indicative and cannot be guaranteed to represent the complete interiors or exteriors of a scheme.
- © 2017 Gunter & Co Interiors Ltd. All Rights Reserved

**LEGEND**

-  **LINEAR LED LIGHT**
-  **DOUBLE SOCKET**
-  **SINGLE SOCKET**
-  **FUSED SPUR**
-  **TELEPHONE OUTLET**
-  **CAT6 NETWORK POINT**
-  **SWITCH**
-  **EXTRACTION**
-  **FLOOR SOCKET OUTLET**



**01** Existing Small Power Layout  
scale 1:75 @A3

Rev	Note	Date
Project Title		
<b>FALCON</b>		
Drawing Title		
<b>Small Power Layout Existing Layout</b>		
Date	Scale	Drawn By
17.11.2020	1:75 at A3	MB
Drawing No		Rev
<b>FL- FF - 130</b>		-

.\\Gunter&Co\_G&\_Gunter&Co\_black.jpg

Unit 1.23 The Plaza  
535 King's Road  
London, SW10 0SZ  
United Kingdom  
+44 (0)20 7993 8583

Gunter&Co\_G&\_Gunter&Co\_black.jpg