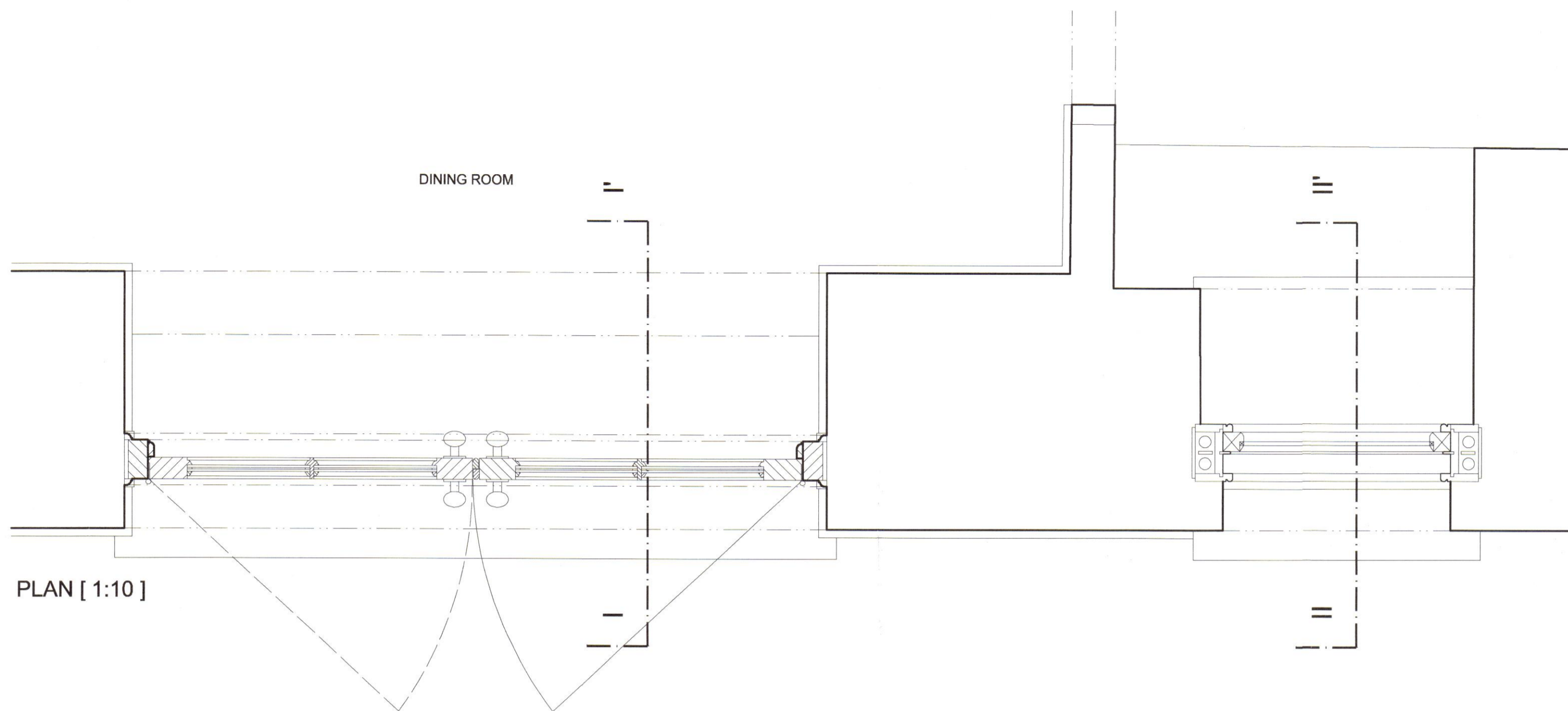
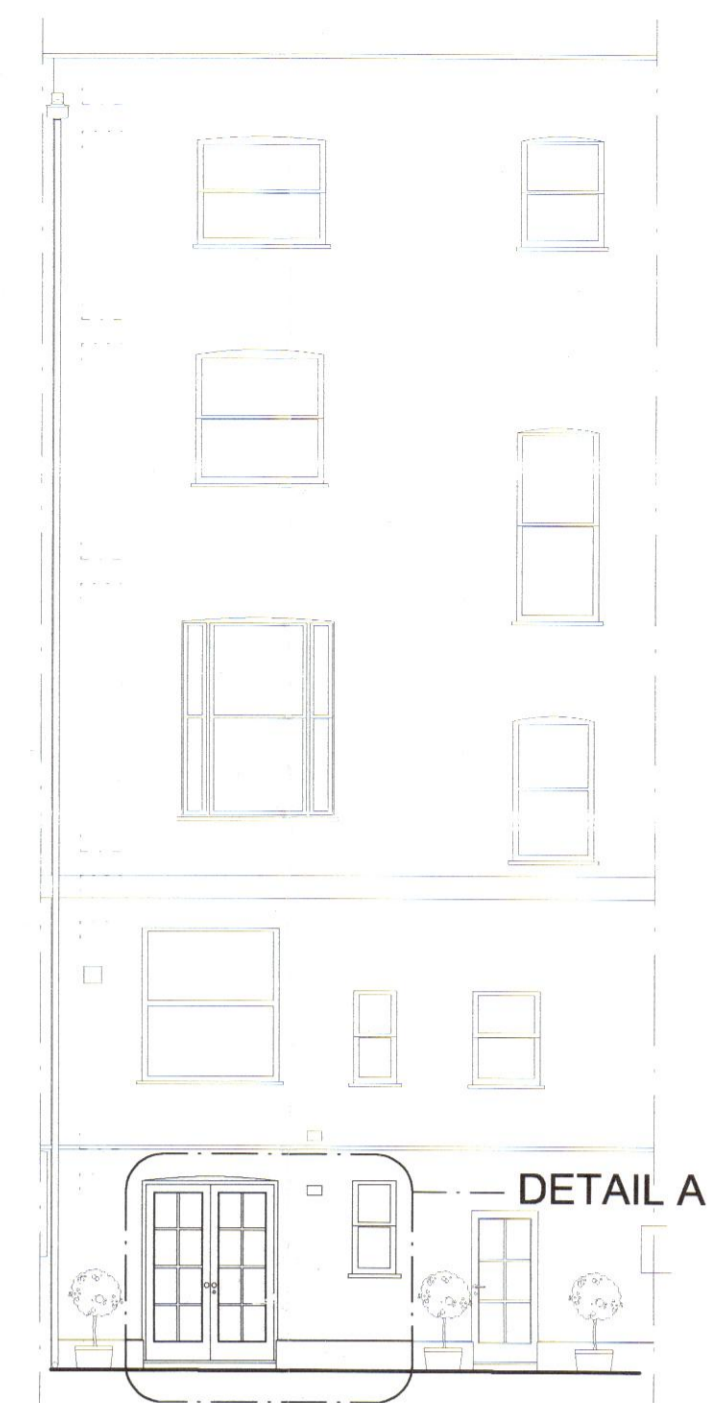


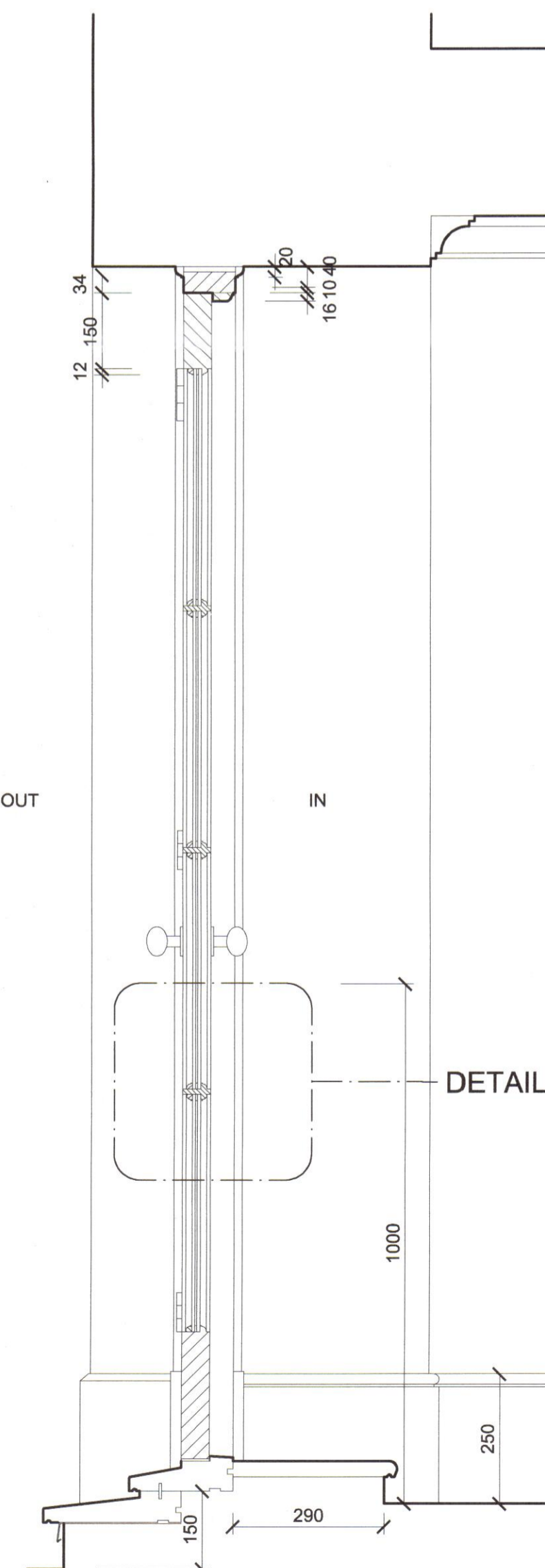
DETAIL B [1:2]



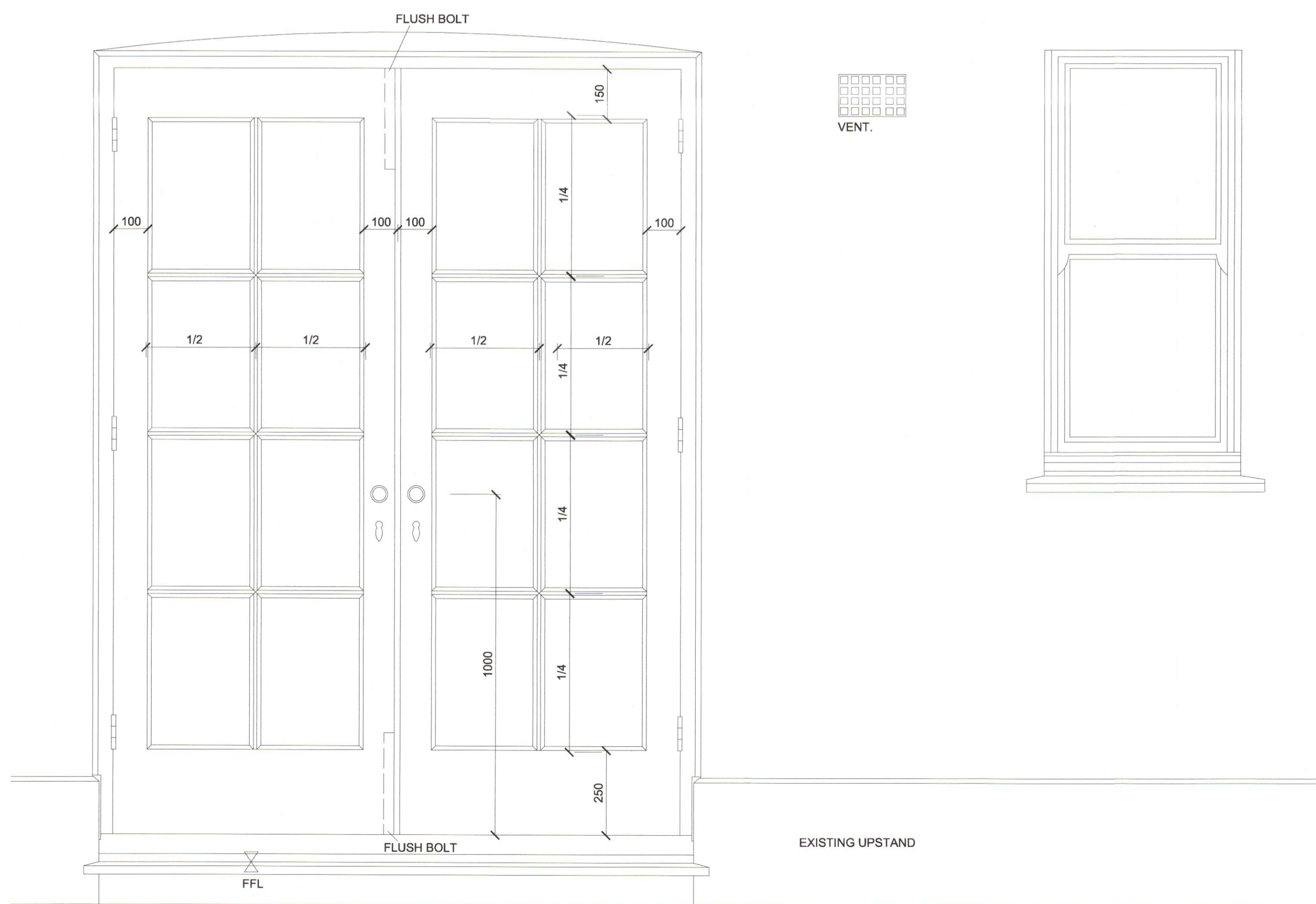
PLAN [1:10]



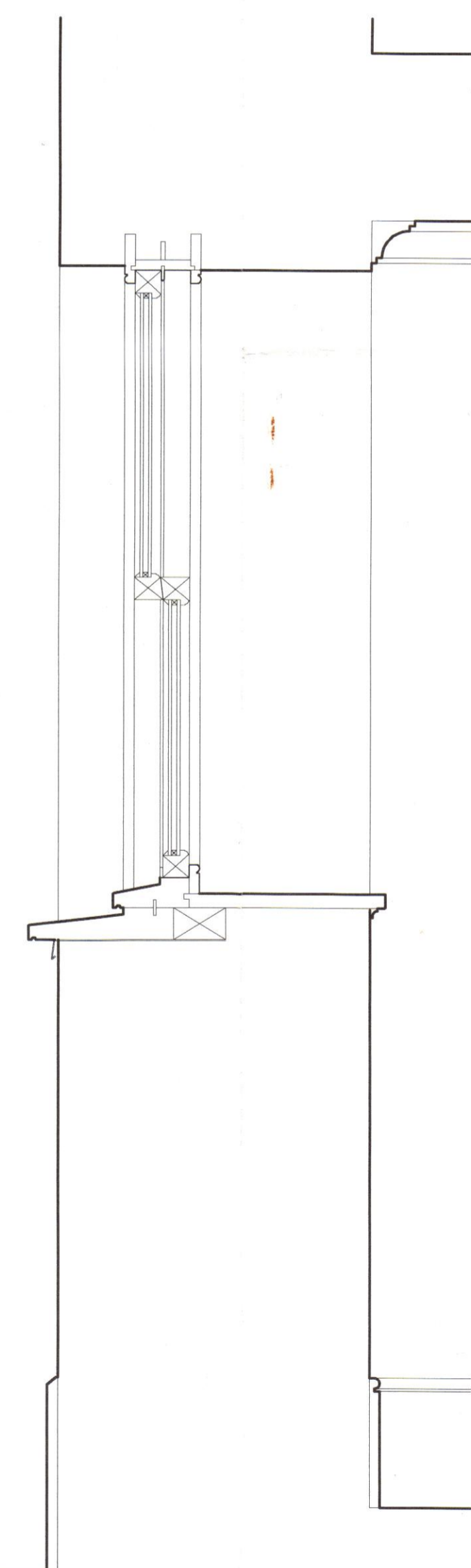
REAR ELEVATION [1:100]



SECTION I-I' [1:10]



DETAIL A - ELEVATION [1:10]



SECTION II-II' [1:10]

FRENCH DOOR & SASH WINDOW AT REAR LOWER GROUND FLOOR LEVEL

NOTES:

LONDON BOROUGH OF CROMBIE
TOWN AND COUNTRY PLANNING ACT
14 MAY 2003
PLANS APPROVED
ON BEHALF OF THE COUNCIL

RECEIVED
14 MAY 2003

2003/0809/L

Q ARCHITECTURAL DESIGN CONSULTANTS
34 Donovan Court, 107 Drayton Gardens, London SW10 9QT
Tel/Fax: 020 7370 2244, Mobile: 07771-88 00 00

Project: 39 Chester Terrace, London NW1
Client: Mr Scott Young
Drawing: French Door & Sash Window Details
Scale: 1:10 & 1:2 @ A1
Date: March 2003
Drawn By: KK
Drawing No: 39CT/DET/01

Check all dimensions on site. Do not scale off drawings without prior consultation.
Any discrepancies to be reported to designers before execution of relevant works.
Drawings are copyright of QADC and may not be reproduced without written consent.

PEX0200916