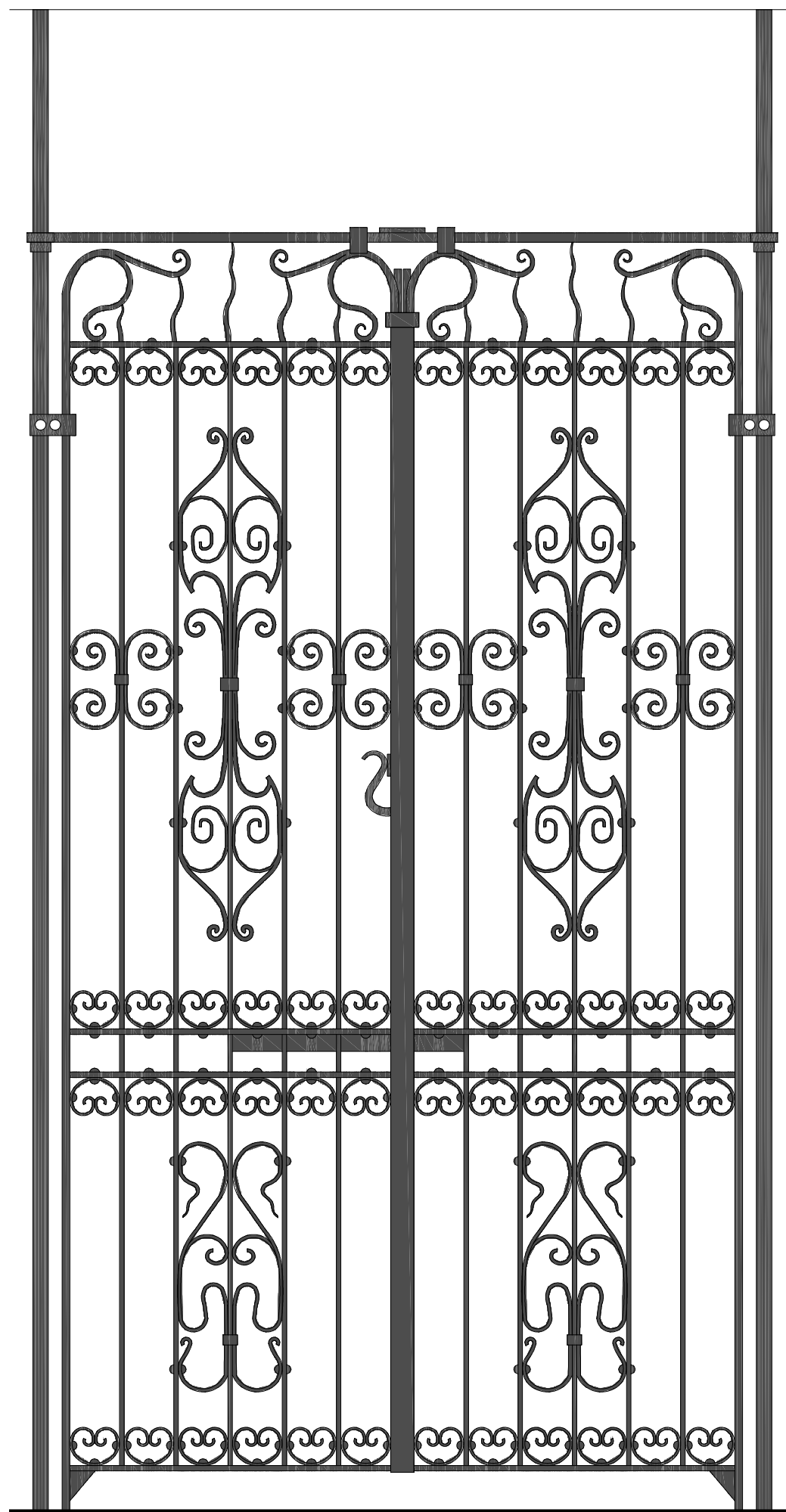
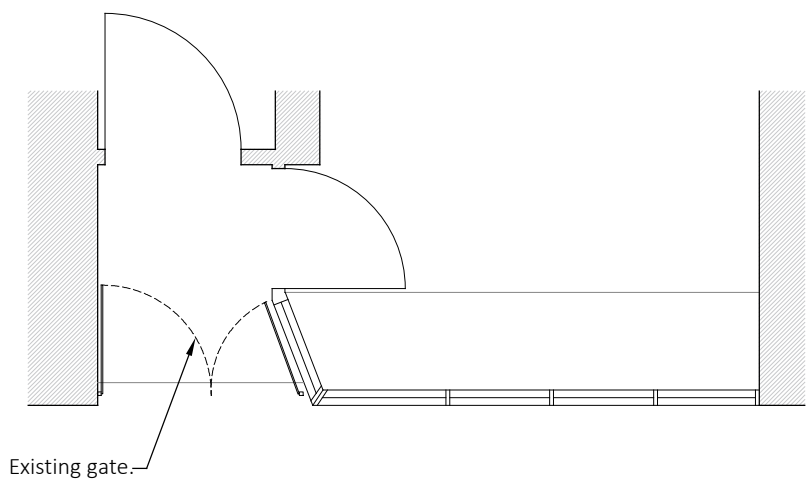




OVERALL ELEVATION - AS EXISTING 1:50@A3



GATE ELEVATION - AS EXISTING 1:10@A3



PARTIAL PLAN - AS EXISTING 1:50@A3



x	XX	XXXX	XX.XX.20
A	GM	Title block updated.	13.11.20
Rev	Iss.	Description	Date

DRAWING TITLE	Existing Gate Details
PROJECT NAME	Entrance Gate

ADDRESS	55 Monmouth Street London, WC2H 9DG
CLIENT	Shaftesbury Covent Garden Ltd
DRAWN BY	GM
CHECKED BY	CM

JOB NO.	24474
SCALE	As Stated@A3
DATE	Oct. 2020
DRAWING NO.	G100-RevA

