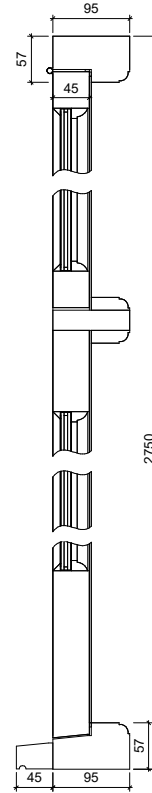
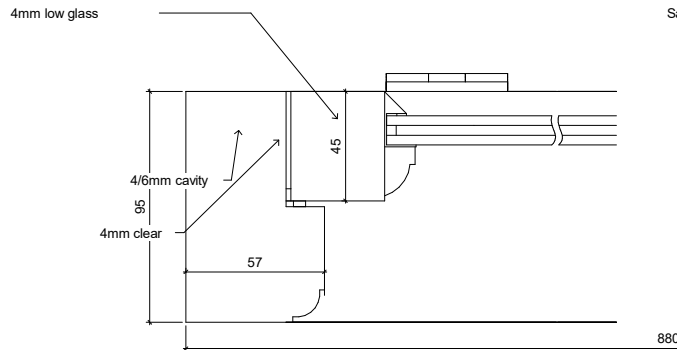


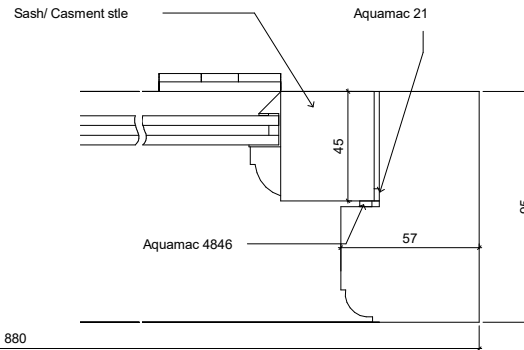
**1 Side View**  
1 : 10



**3 Detail Side View**  
1 : 3



**5 Detail Plan**  
1 : 1



**Disclaimer:**

This drawing is property of FAXMAN JOINERIES. Copyright is reserved by them and the drawing is issued on the condition that is not copied, reproduced or disclosed to any person, wholly or in part, without the written consent of FAXMAN JOINERIES. Do not scale from this drawing. All dimensions to be checked on site. All dimensions in unless otherwise stated. IF IN DOUBT ASK.

Finishes				
Carcass: Egger H1399 Truffle Brown Denver Oak				
Mirrors: Opti White silvered				
Date	Rev	Description	Drawn By	Checked By

Contract:  
65 Belsize Park Gardens

Client:  
TBC

Employer:

Drawing Title:  
1 X French Doors & Frame - S1

Scale: 1:1, 1:3, 1:10 Date: 09/12/2020

Status: IN Drawn By: IN Checked By: SQ

Drawing No: BGH-PAX-003 Rev: 00

