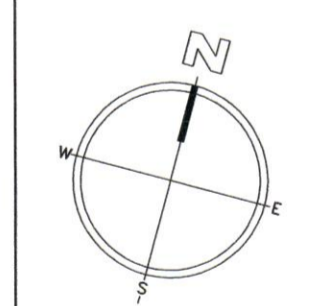
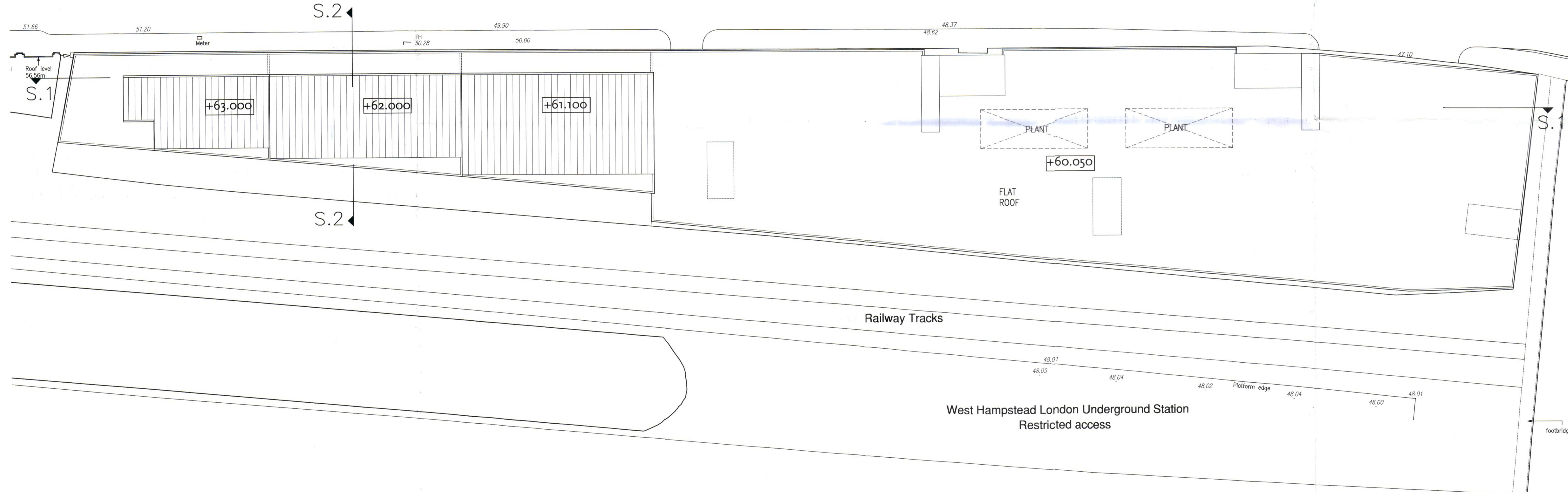
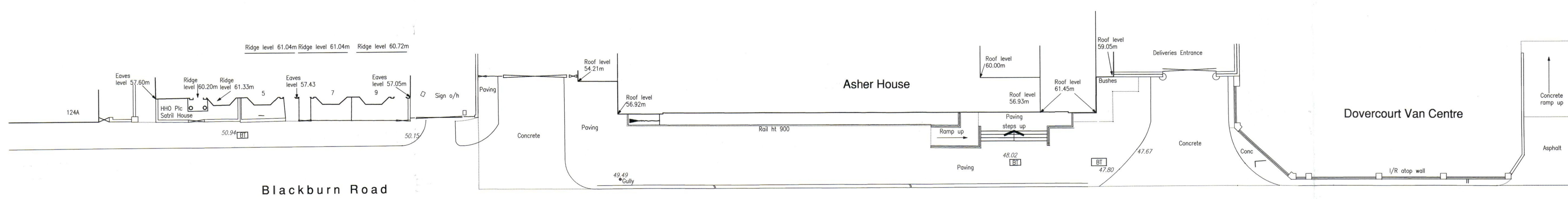


GENERAL NOTES:
 THIS DRAWING IS THE COPYRIGHT OF THE ARCHITECT. DO NOT SCALE AND REFER ONLY TO FIGURED DIMENSIONS CONTRACTOR TO VERIFY ALL CONDITIONS AND DIMENSIONS BY ON SITE INSPECTION. NOTIFY ARCHITECT IMMEDIATELY OF ANY DISCREPANCIES.
 THESE DRAWINGS ARE TO BE READ IN CONJUNCTION WITH THE MECHANICAL CONSULTANTS'S STRUCTURAL ENGINEERS DRAWINGS AND THE TENDER DOCUMENTS.

NOTES



REVISIONS



Koski Solomon Ruthven
 14 Greenland Sreet, London NW1 oND
 tel: 020 7692 5000 fax: 020 7692 5050
 Email: ksr@ksra.co.uk

PROJECT
 14 BLACKBURN ROAD

DRAWING
 8 HOUSES SCHEME
 ROOF PLAN

SCALE DATE
 A1@1:200, A3@1:400 JUNE 02
 DRAWING NO REVISION
 BLK-P-101 B

PWX0202103R1