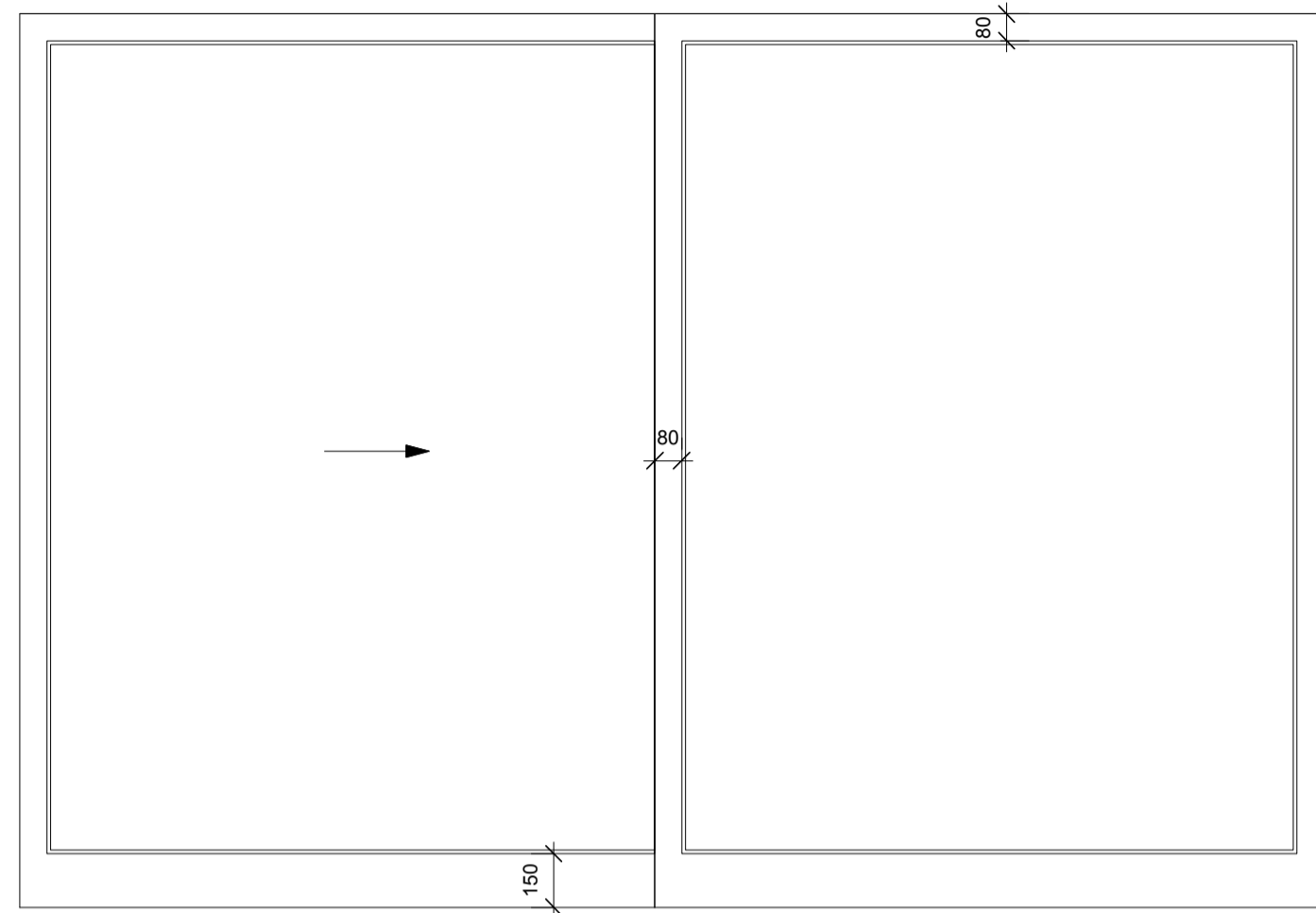
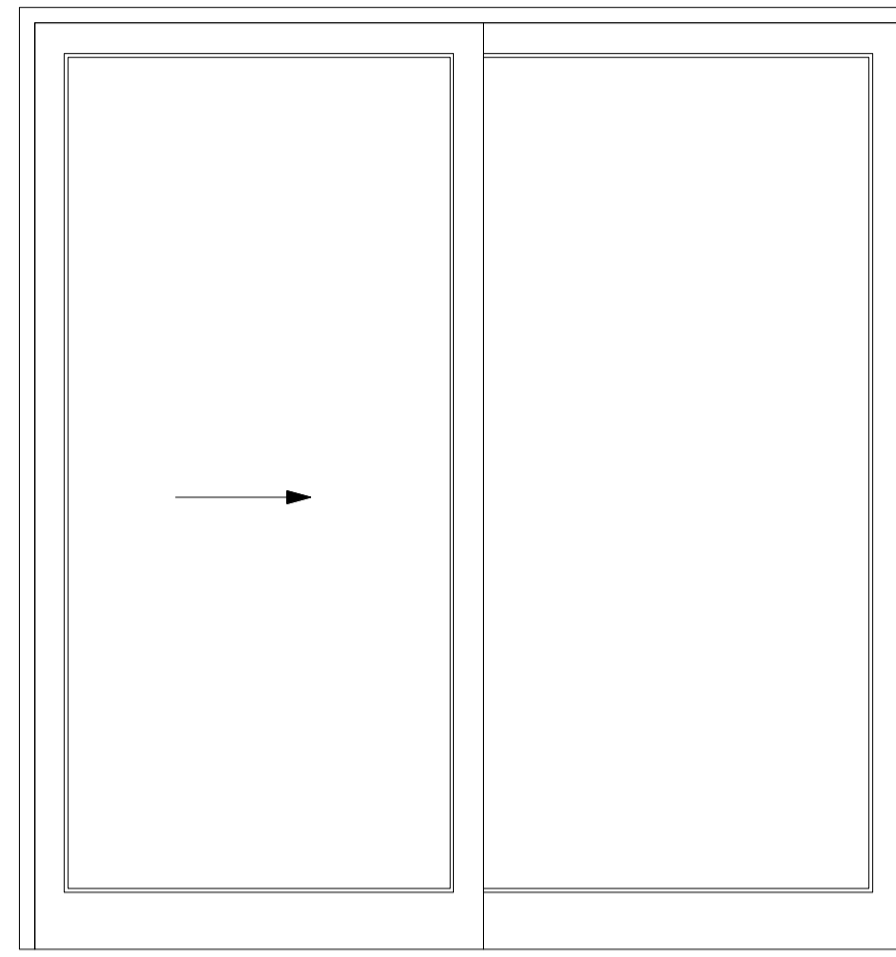


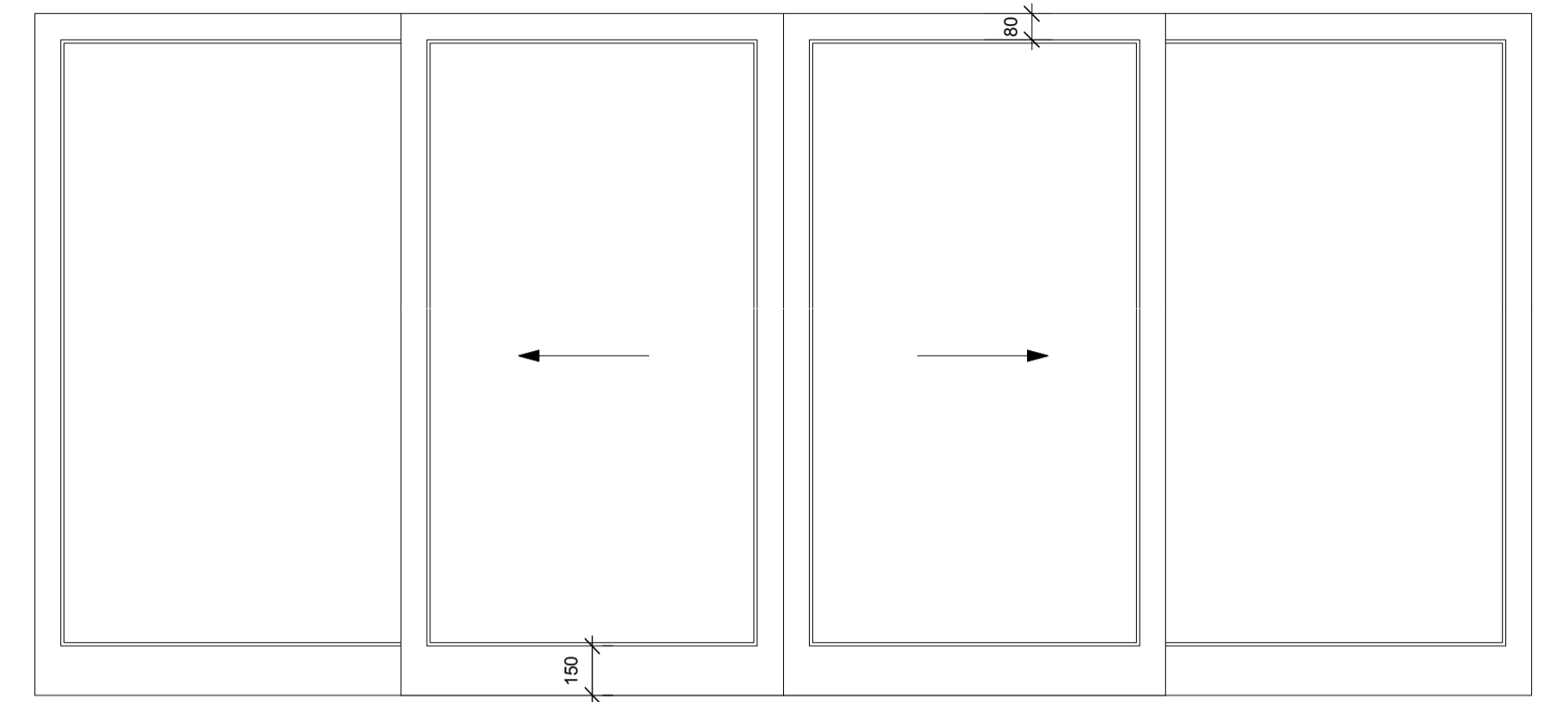
1 D.0.01
Ground Floor



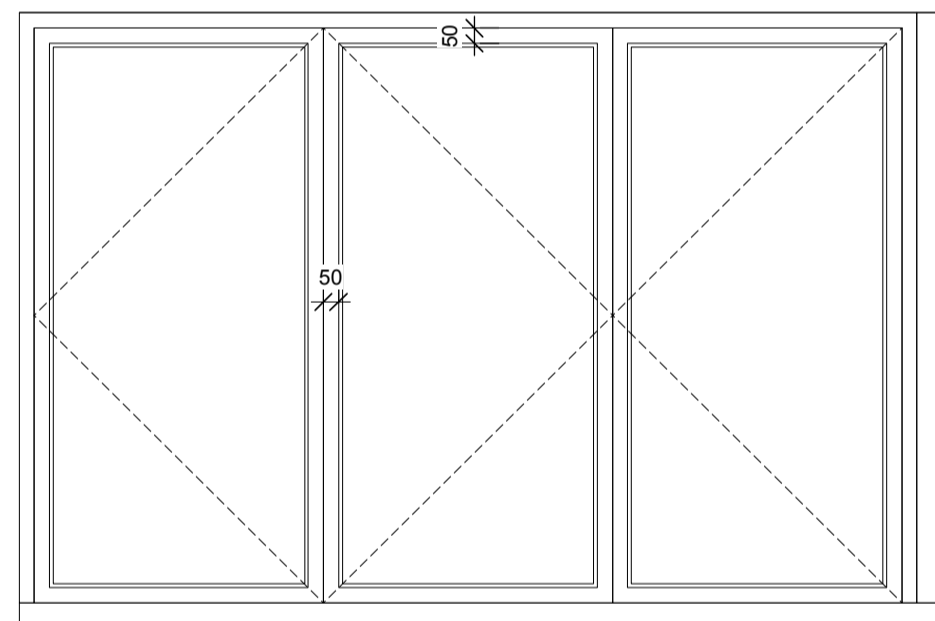
2 D.0.05
Ground Floor



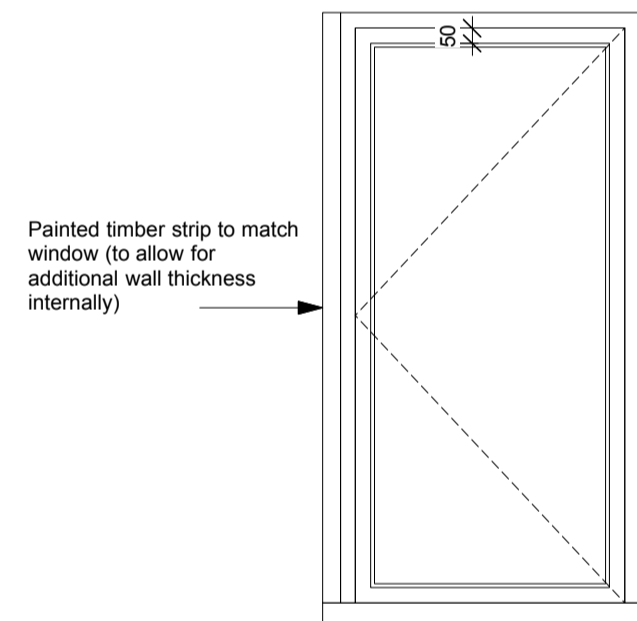
3 D.1.01
First Floor



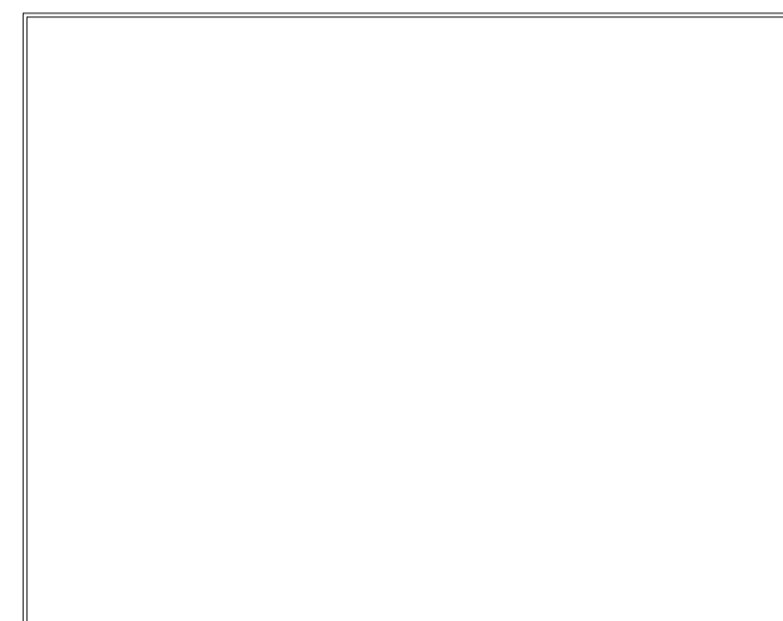
4 D.2.01
First Floor



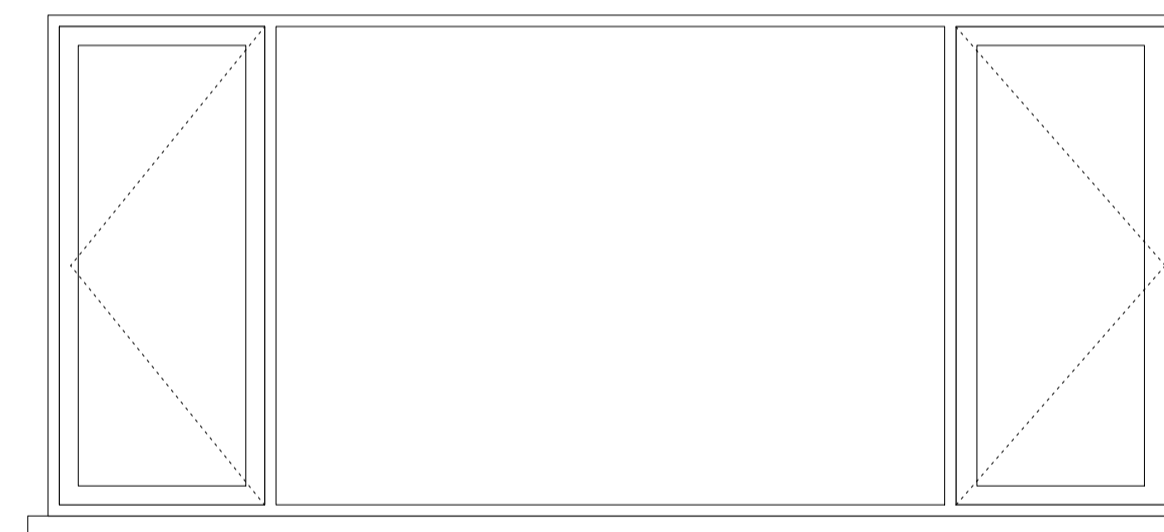
5 W.0.01
Ground Floor



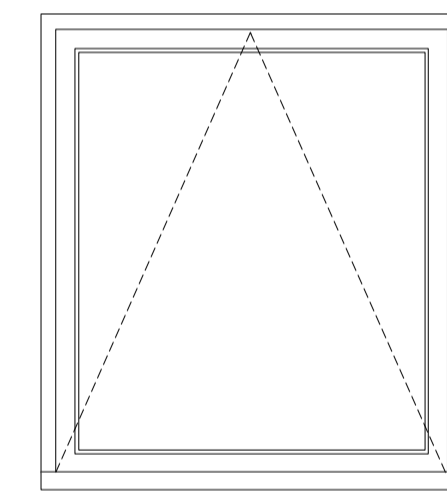
6 W.0.02
Ground Floor



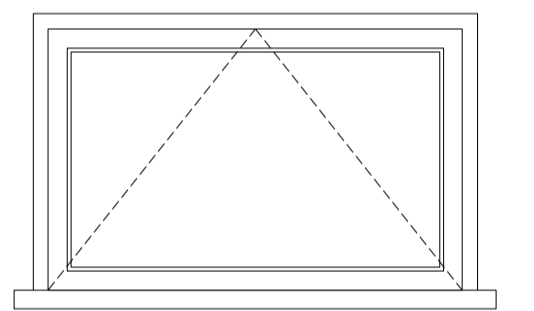
7 W.0.03
Ground Floor



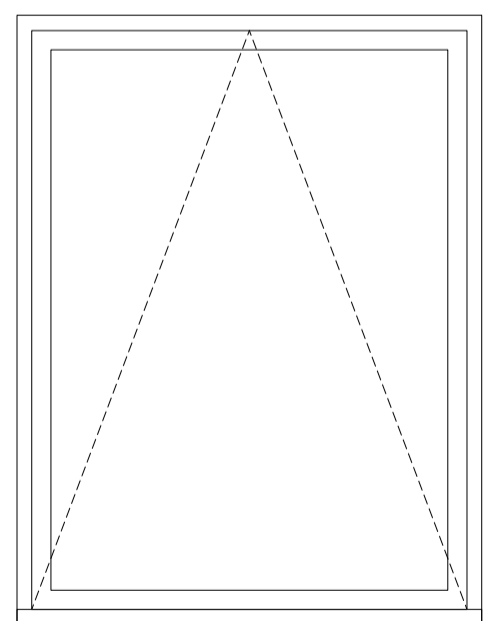
8 W.0.04
Ground Floor



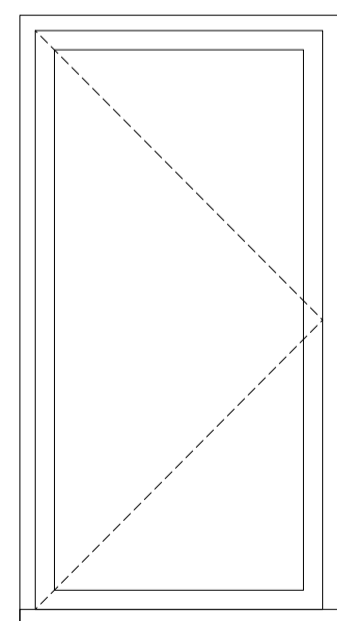
9 W.1.01
First Floor



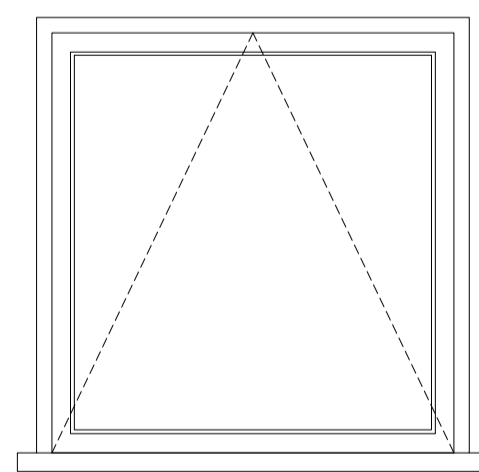
10 W.1.02
First Floor



11 W.1.03
First Floor



12 W.1.04
First Floor



13 W.2.01
Second Floor

Revision
A 09.12.20 Issued for planning

Notes:
All dimensions in millimetres.
In event of discrepancy contact architect for clarification prior to proceeding.

CLIENT
PROJECT
DRAWING TITLE
DRAWING NUMBER
SCALE
DATE
Vanessa & Gabriel Grey-Hernandez
19 Torriono Cottages
Proposed Door & Window Elevations
A(33)02
1:20@A1
09.12.20

mwa
11 MELBOURNE ROAD LONDON E17 6LR
t: 0779 62845
e: mwan@melbournestimatingarchitects.com