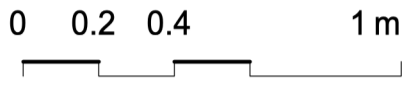
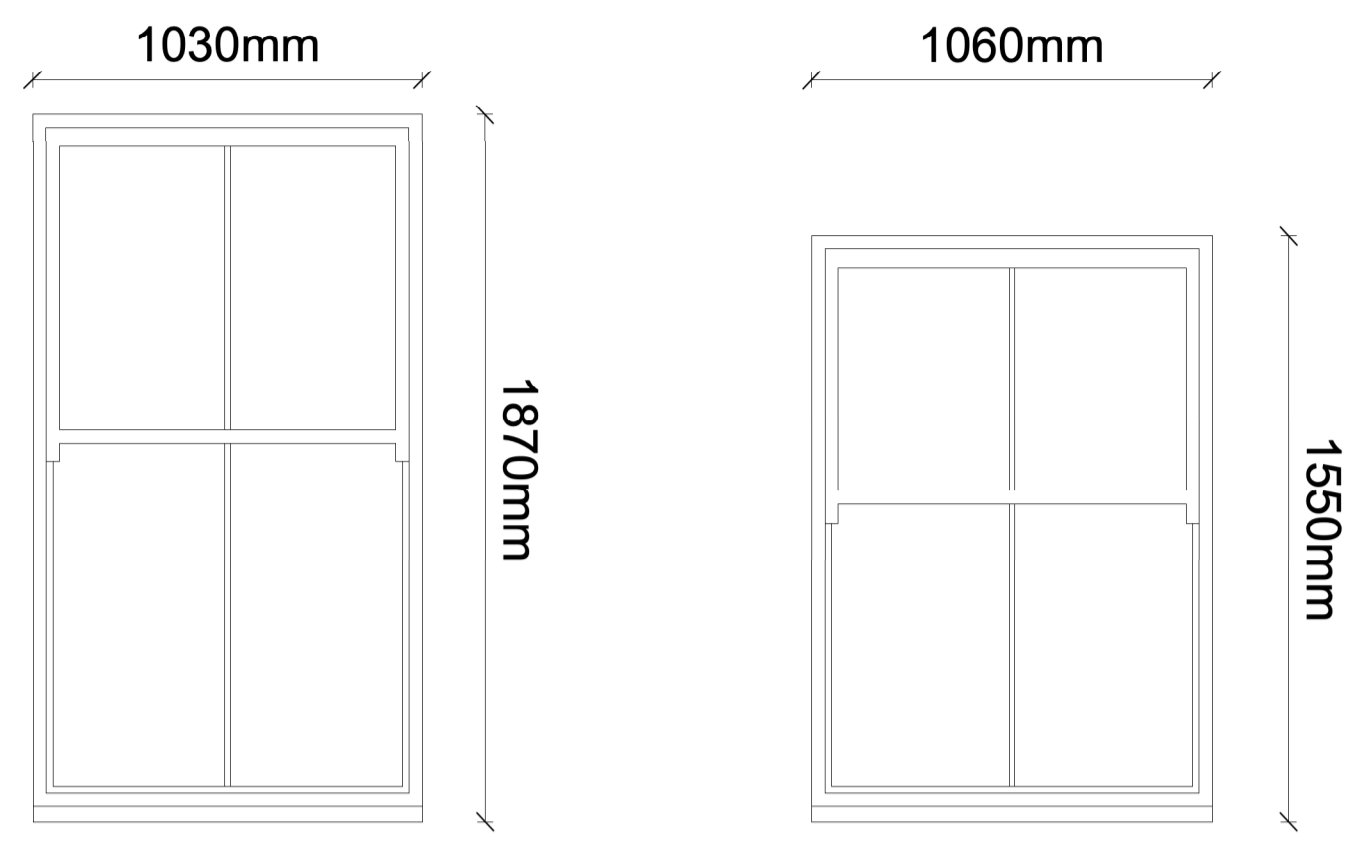


NOTES:

- 1 - COPYRIGHT OF THIS DRAWING IS THE PROPERTY OF THE ARCHITECTS AND MAY NOT BE REPRODUCED WITHOUT THEIR PERMISSION.
- 2 - WRITTEN DIMENSIONS TO BE USED IN PREFERENCE TO SCALED DIMENSIONS AT ALL TIMES.
- 3 - ALL DIMENSIONS AND LEVELS TO BE VERIFIED BY THE CONTRACTOR ON SITE AND ANY DISCREPANCIES REPORTED TO THE ARCHITECTS.
- 4 - DRAWINGS ARE BASED ON THE ASSUMPTION THAT ADEQUATE LOAD BEARING CAPACITY STRUTS WILL BE ENCOUNTERED AT THE DEPTHS INDICATED. IF THIS IS FOUND NOT TO BE THE CASE THE DEPTHS MUST BE INCREASED TO THE SATISFACTION OF THE LOCAL AUTHORITY BUILDING INSPECTOR AND BUILDING REGULATION REQUIREMENTS.
- 5 - ALL STRUCTURAL TIMBER IS TO BE TANALISED OR SIMILARLY TREATED.
- 6 - D.P.C. TO BE PLACED AT ALL CAVITY CLOSURES AND TO BE APPROVED BY THIS OFFICE PRIOR TO INSTALLATION.
- 7 - ALL DIMENSIONS INDICATED ON THIS DRAWING ARE STRUCTURAL DIMENSIONS AND DO NOT ALLOW FOR THICKNESS OF FINISHES.



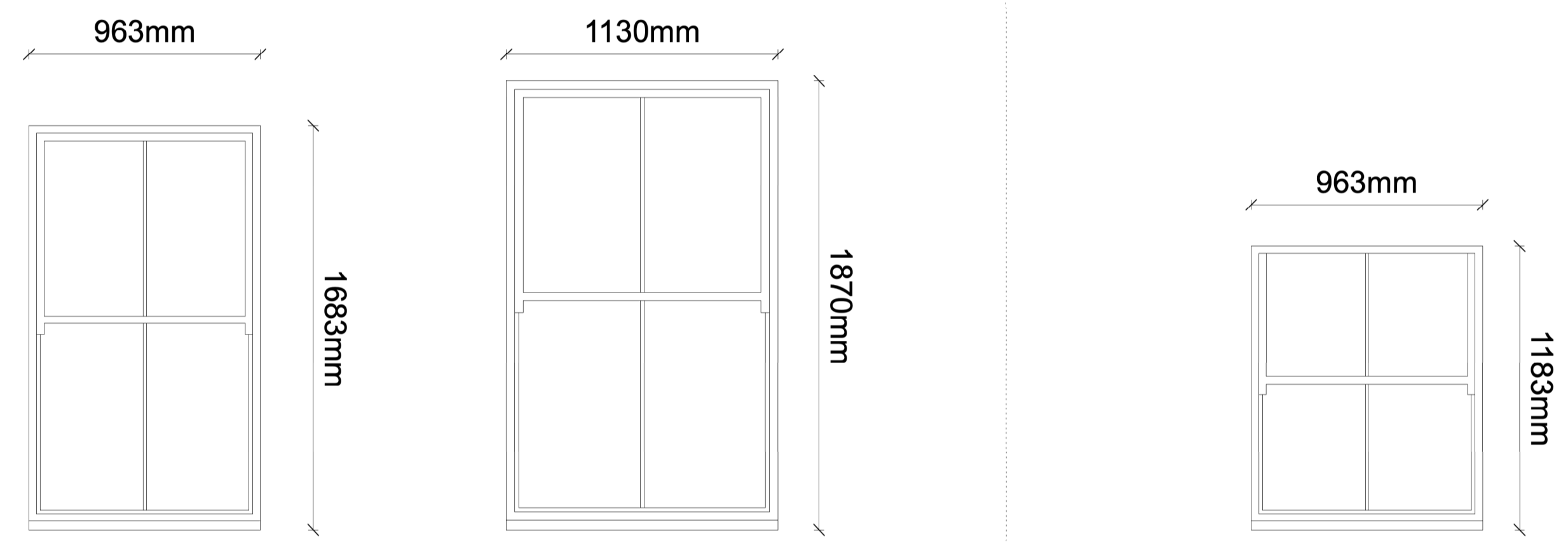
Rear Elevation



**W-01**  
replace existing window

**W-02**  
replace existing window

Side Elevation

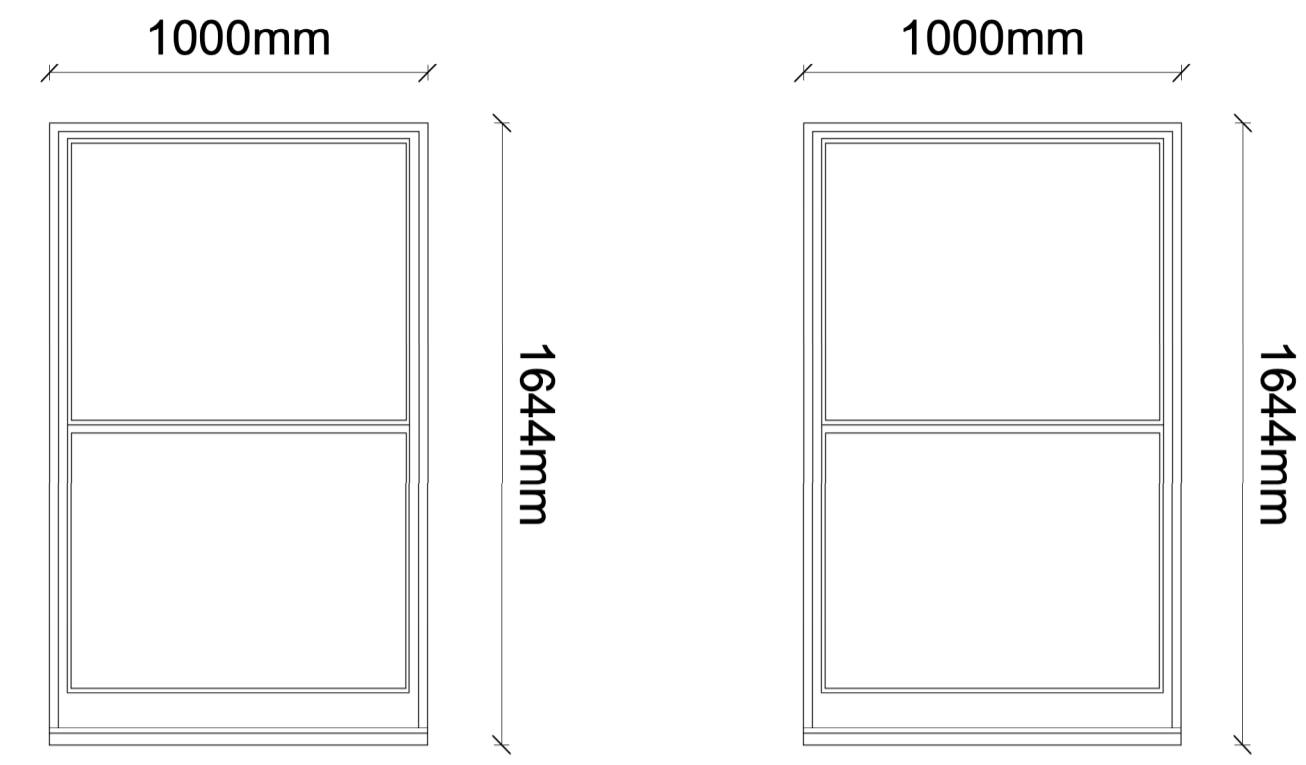


**W-03**  
replace existing window, enlarge opening

**W-04**  
replace existing window

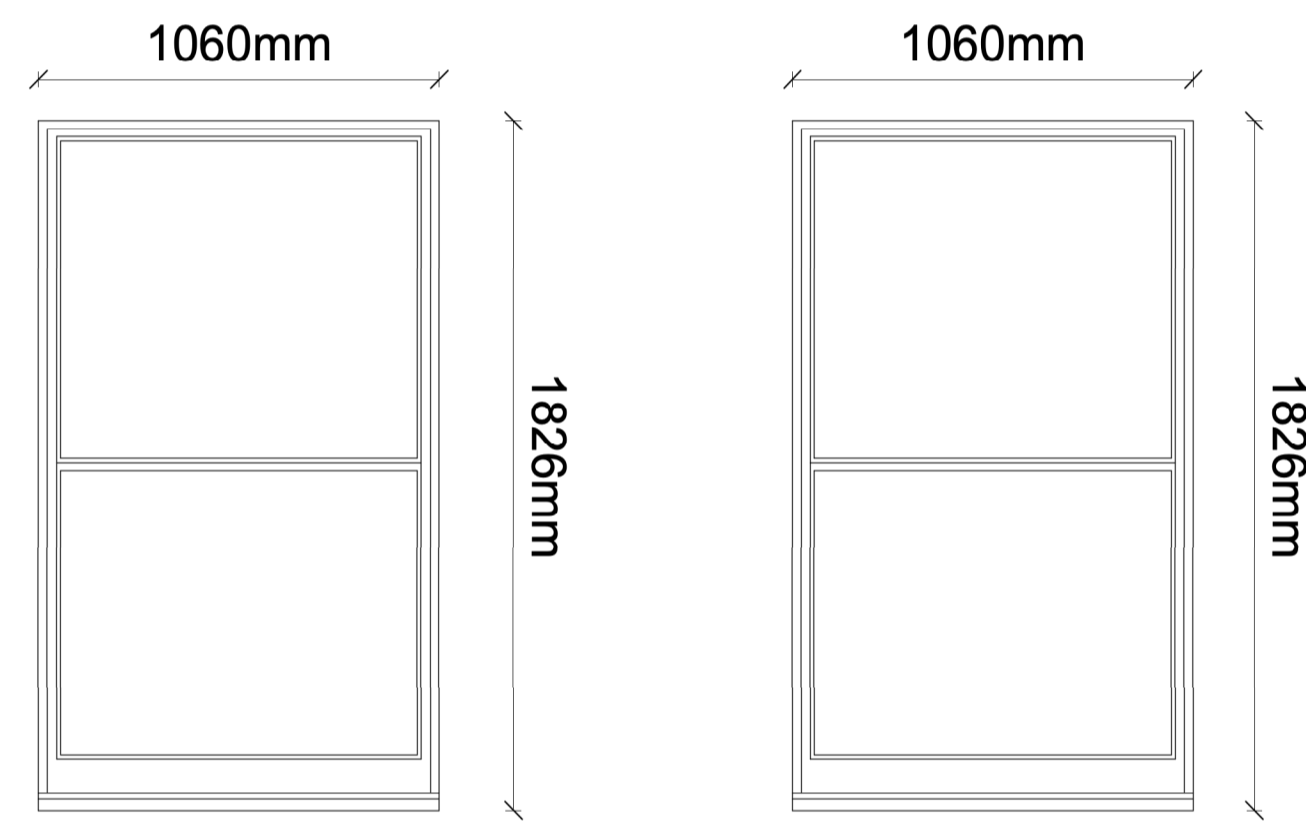
**W-07**  
reinstate window opening in original location

Front Elevation



**W-09**  
replace existing window

**W-10**  
replace existing window



**W-11**  
replace existing window

**W-12**  
replace existing window

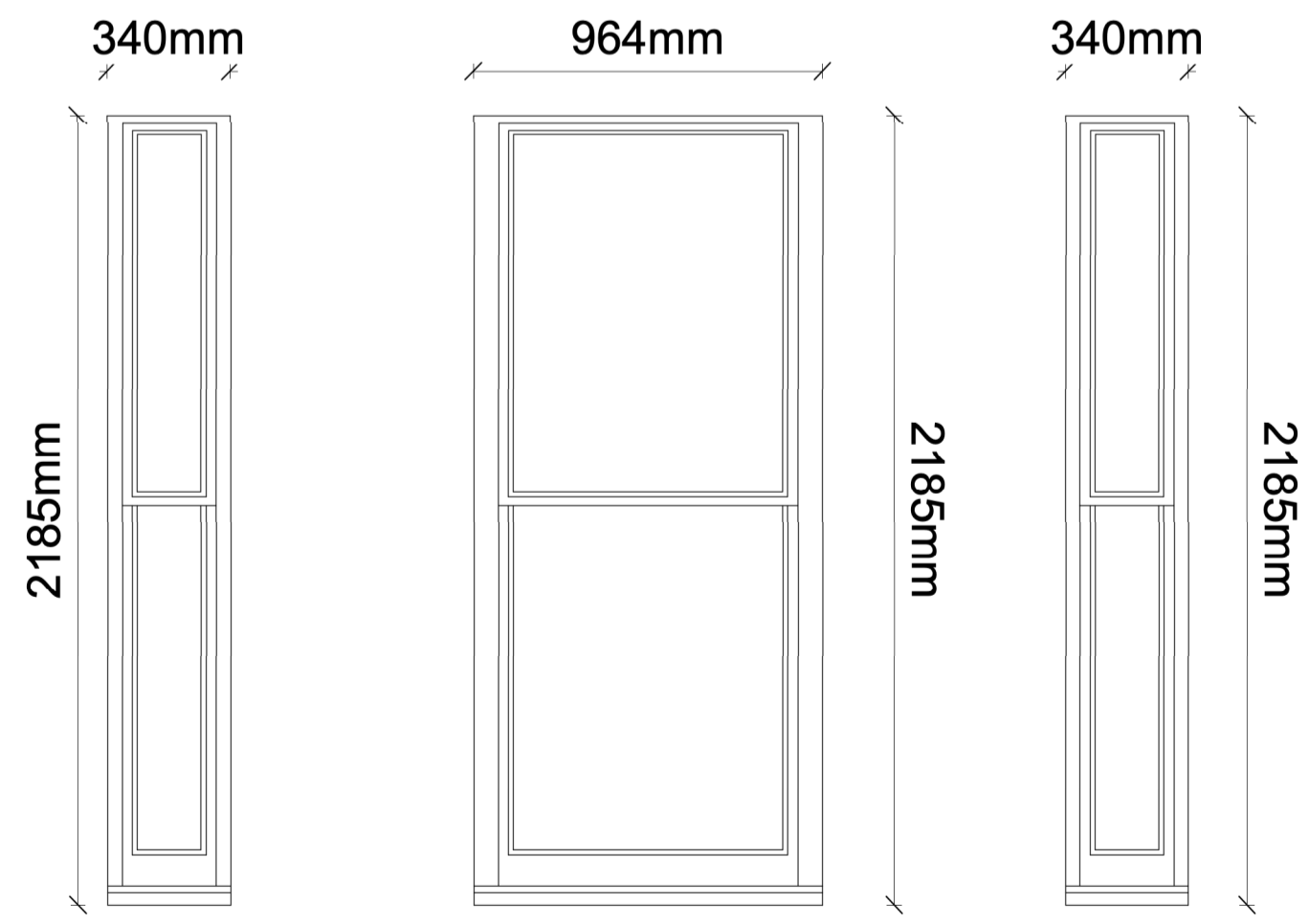
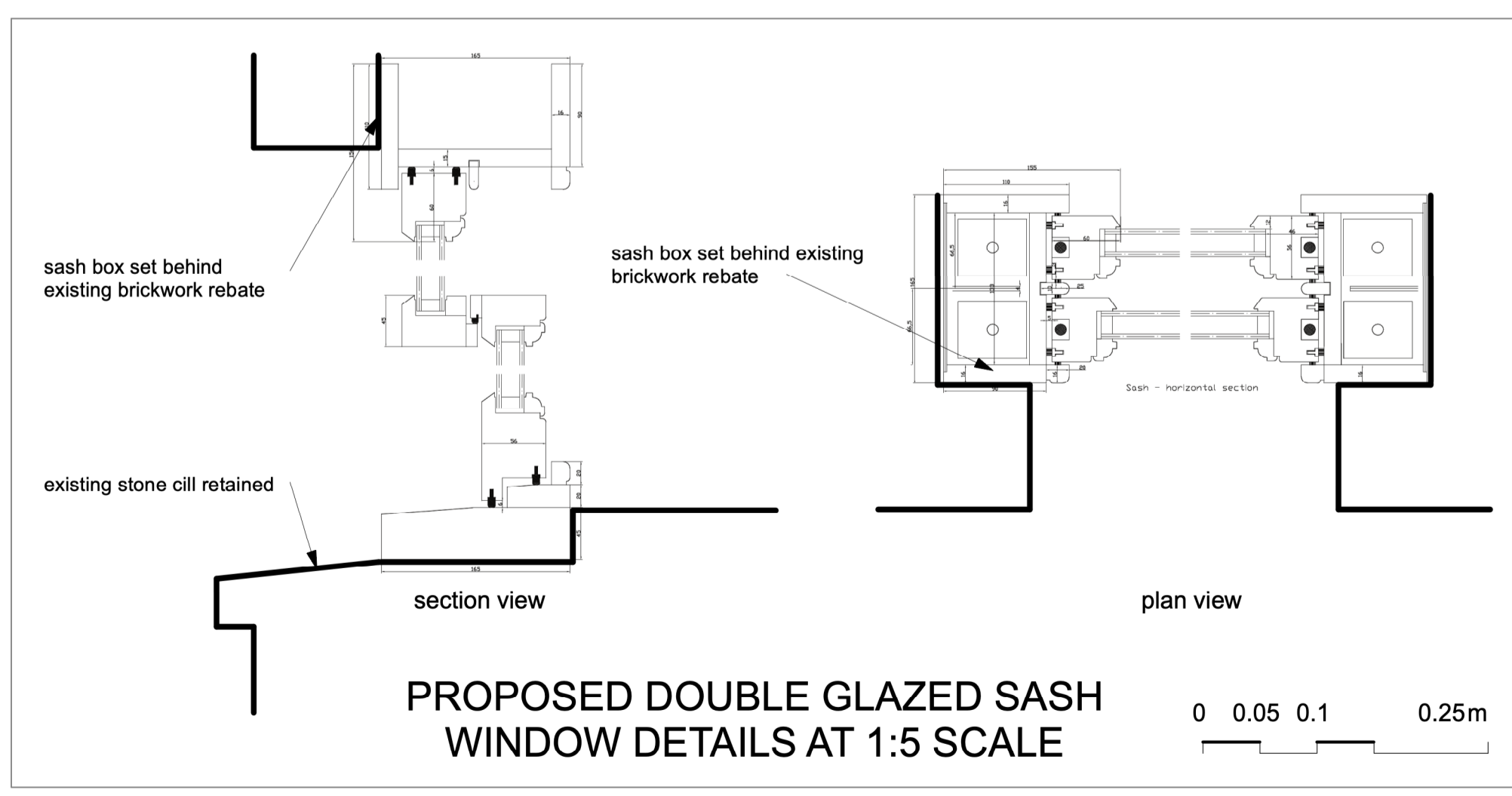
Second Floor

First Floor

Ground Floor

**Replacement Sash Windows:**

- solid timber frame sash windows, painted white
- double glazed units
- ironmongery to be in polished chrome finish



**W-13**  
replace existing window

**W-14**  
replace existing window

**W-15**  
replace existing window

A	1:5 Details Added	01/12/2020
REV	DESCRIPTION	DATE

**bellis architects**

London T: 020 7531 2333 www.bellisarchitects.com

CONTRACT  
**33 Countess Road**  
 Kentish Town  
 London  
 NW5 2XH

PROJECT STATUS  
**Planning**  
 DRAWING TITLE  
**Replacement Sash Windows**

DRAWN BY RA	DATE 24/11/2020	CHECKED DB
SCALE 1:20 / 1:5	SHEET SIZE ISO A1	REV

DRAWING No. **0552 - 500.01** A