

Revision	Date	Description	Drawn	Check

**PINZAUER**

WWW.PINZAUER.COM

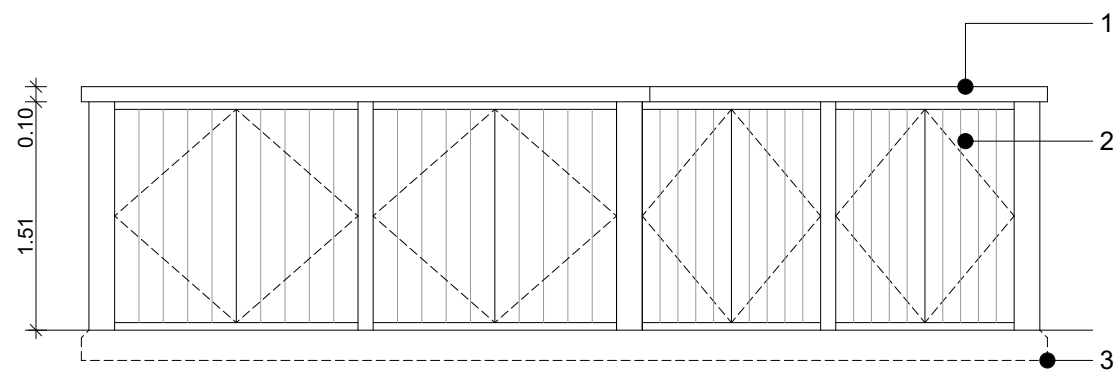
Project **2 Maresfield Gardens** Project number **0052**

Client **2 Maresfield Limited**

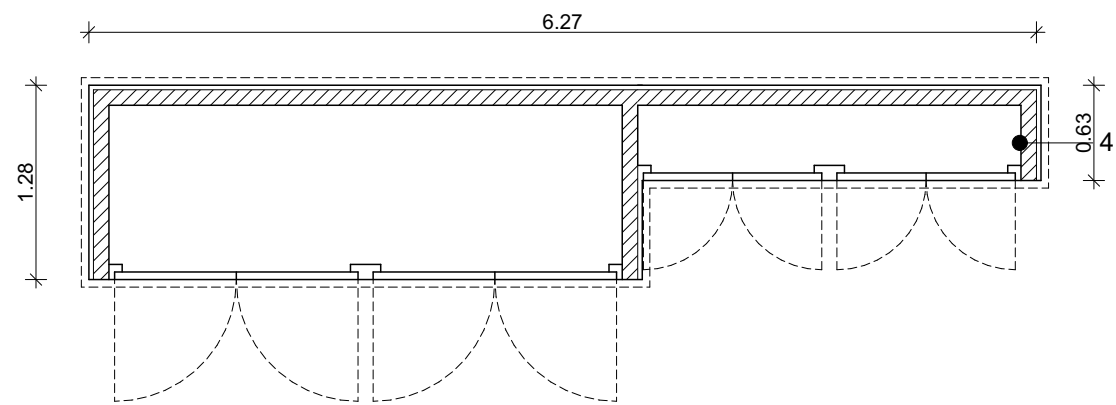
Drawing name **Utilities enclosure** Drawing number **0052\_502**

Date	<b>21/10/2020</b>	Revision
Scale / Format	<b>1:50 at A3</b>	
Drawn / Checked	<b>GB / GB</b>	Planning
Approved	<b>GB</b>	
CAD Reference	<b>001_PL_Planning_R04.pln</b>	

**Electrical and gas enclosure**



FRONT ELEVATION

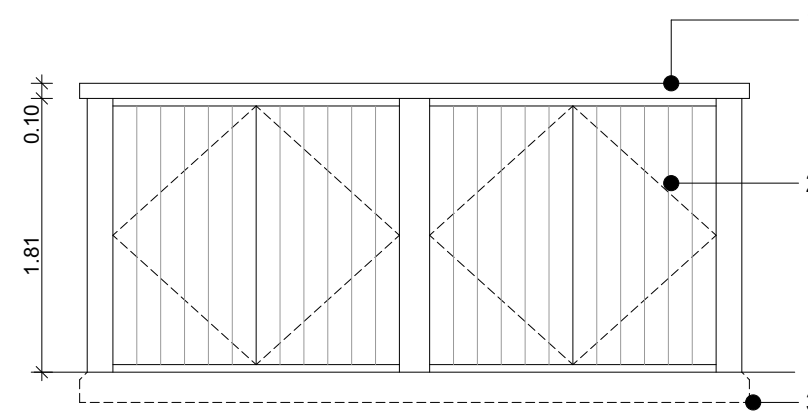


PLAN

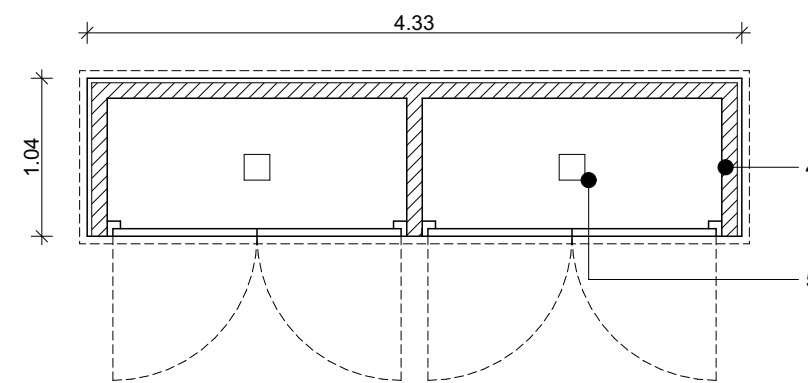
**KEY**

- 1 Concrete top
- 2 Stained timber cladding
- 3 Concrete plinth
- 4 Brickwork
- 5 Gully drain

**Bins enclosure**



FRONT ELEVATION



PLAN

