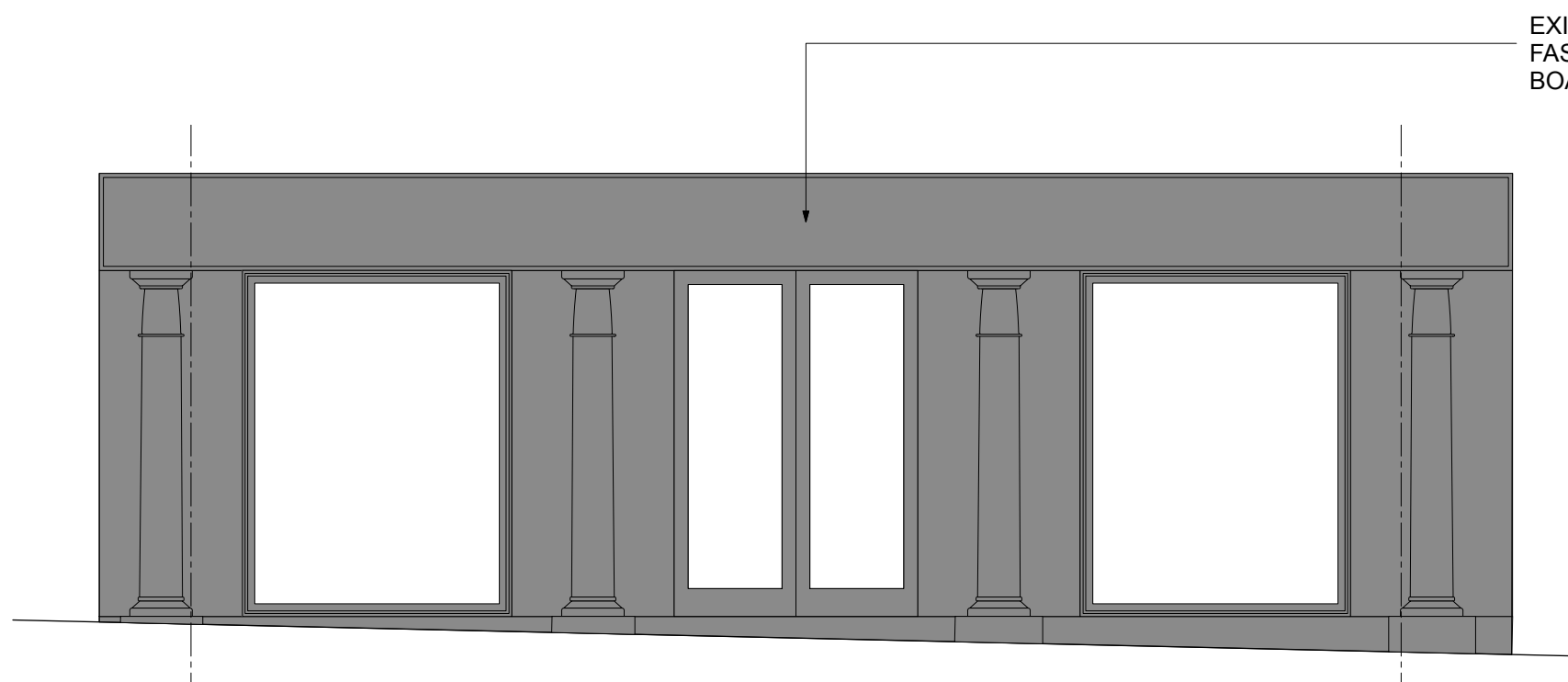


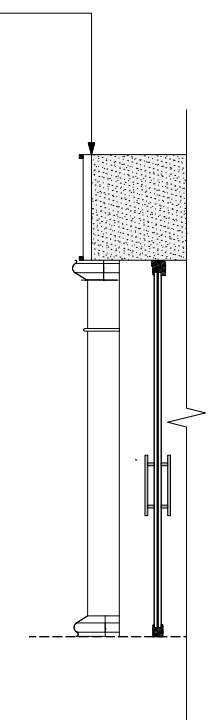
ALL DRAWINGS TO BE READ IN CONJUNCTION WITH THE PRELIMINARIES AND SCHEDULE OF WORKS

DESIGN INTENT DRAWING. DO NOT SCALE. ALL DIMENSIONS TO BE CHECKED ON SITE. THIS DRAWING IS THE SOLE COPYRIGHT OF SARA HESKIN AND IS NOT TO BE REPRODUCED WITHOUT PERMISSION.

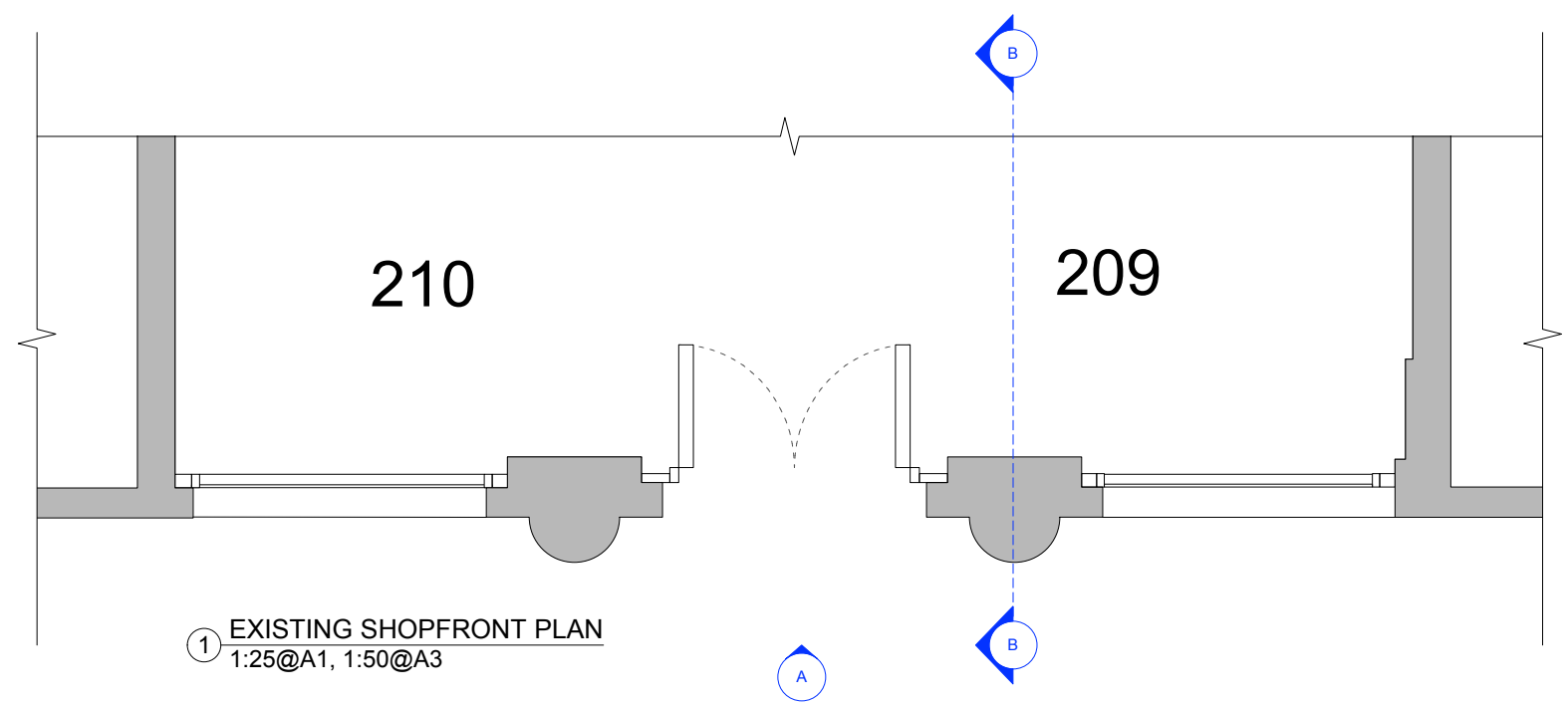


EXISTING FASCIA BOARD

③ ELEVATION A
1:25@A1, 1:50@A3



② SECTION BB
1:25@A1, 1:50@A3



① EXISTING SHOPFRONT PLAN
1:25@A1, 1:50@A3



REVISIONS:		
CODE	DATE	DESCRIPTION

PROJECT NO: 1029 CLIENT/PROJECT: Cafe de Nata Camden

SITE ADDRESS:
Cafe de Nata
Units 209/210 Market Hall
London
NW1 8AB

DATE: 10/02/2020 DRAWN: SH CHECKED: MH SCALE: 1:25@A1, 1:50@A3

TITLE:
EXISTING SHOPFRONT

STATUS:
FOR PLANNING

DWG. NO: 1029_001 REV: -

RAVEN
collective
e: sara@ravencollective.co.uk t:07732 692348