

PLAN

100 x 150 RHS with oversized base plate bolted down to foundations  
See detailed drawings for dimensions

existing tree protected

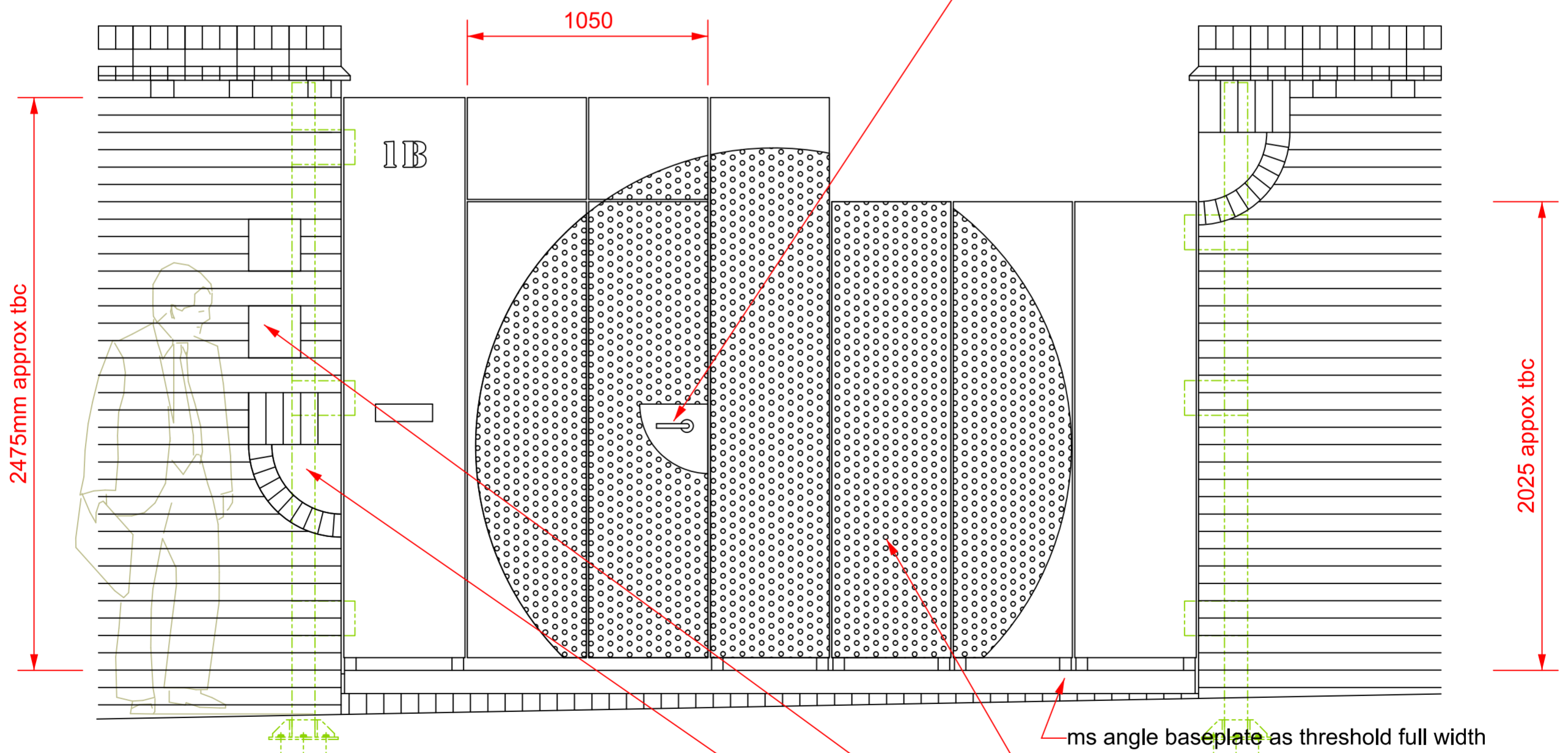
existing brickwork & gate removed & existing piers re-built /made good in accordance with structural engineer's instructions

50 x 100 ms RHS posts bolted down to foundations & fixed to brick piers at either side all to structural engineer's details

Cor-Ten steel 5 mm flat plate panels

fabricated gate with perforated corten steel panels

latch mechanism + lever handles including electric release operated from inside the house



ELEVATION

ms angle baseplate as threshold full width

perforated metal panels

existing carved stone blocks with "signature" & "date" cut down & inserted into the existing brickwork

existing entryphone system modified to suit new brickwork piers

ALL DIMENSIONS & SETTING OUT TO BE CHECKED ON SITE

**JP ARCHITECT LTD**  
 124 Great Western Studios 65 Alfred Road W2 5EU  
 07931 700 437  
 jeremy@jpa.ltd

Do not scale from this drawing. Resolve discrepancies prior to construction. If in doubt ASK This drawing is COPYRIGHT

Revisions:	
A	18/08/20 design amended to reduce depth due to growth of tree
B	15/09/20 construction details added
C	12/10/20 design revised - new design
D	22/10/20 upper panels omitted frame added
E	
F	

Drawing Status:	
Preliminary for Approval	28/04/20
Design Approved by Client	04/05/20
Planning Drawing	04/05/20
Tender Drawing	
Construction Drawing	

Project: BURTON HOUSE - 1B LADY MARGARET RD NW5 2NE

Title: ENTRANCE SCREEN WITH GATE - DETAILS

Scale: 1:20 @ A2 / 1:40 @ A4

Date: 28/04/20

Drawing Number: 517 / L / 05

A2

D