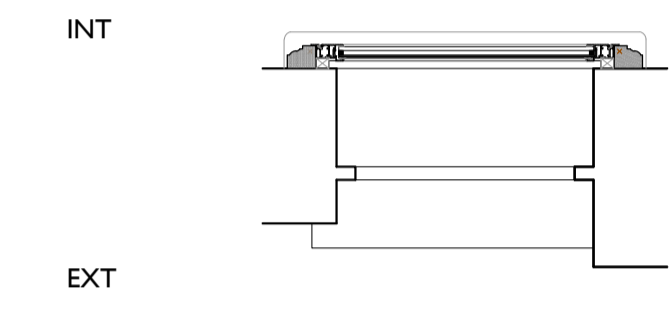
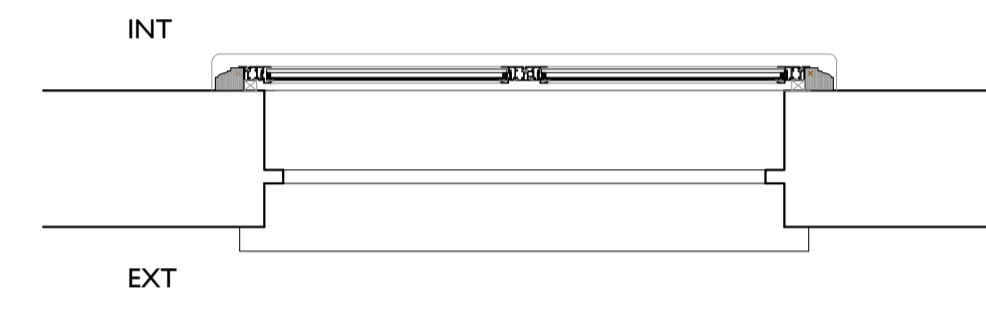
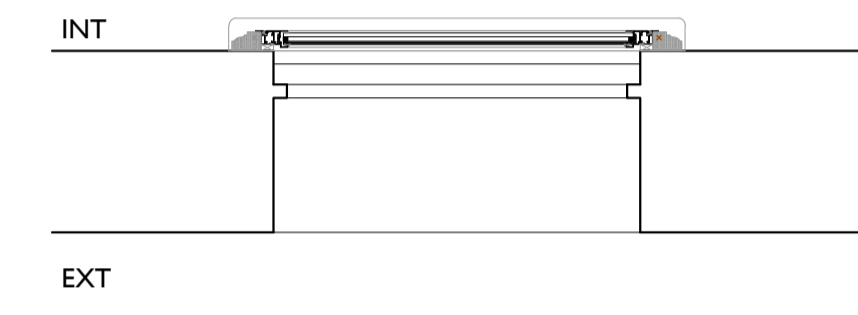
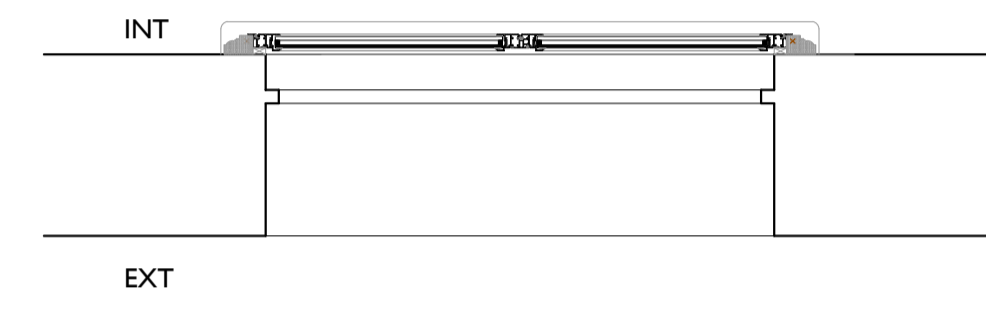
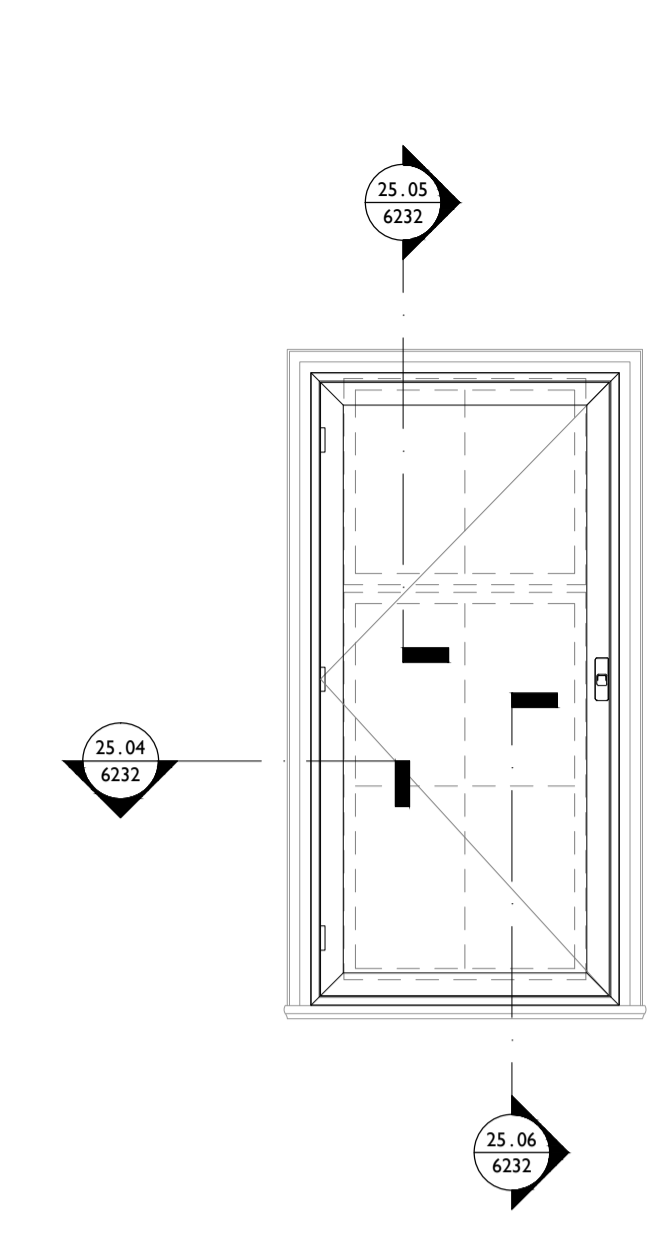
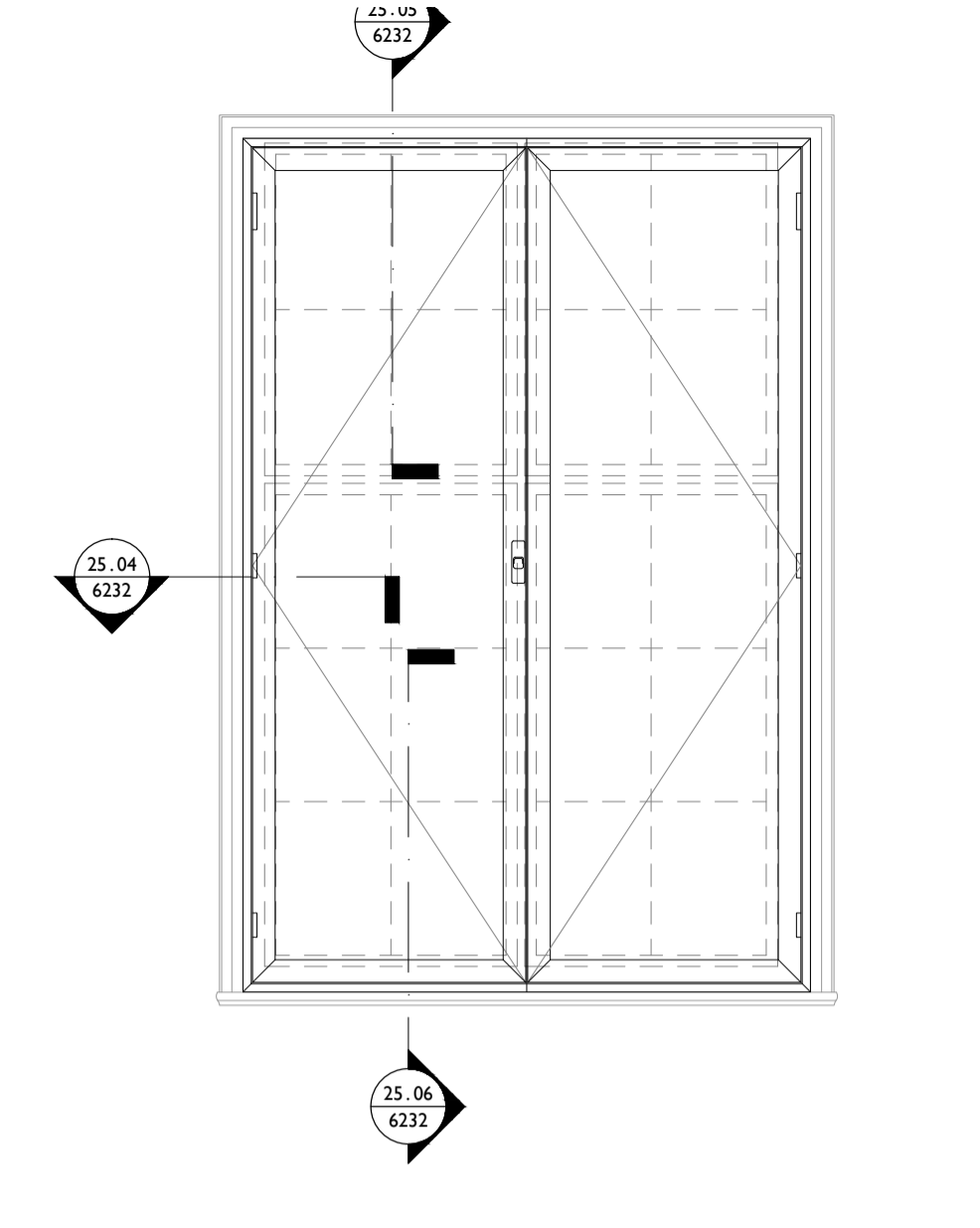
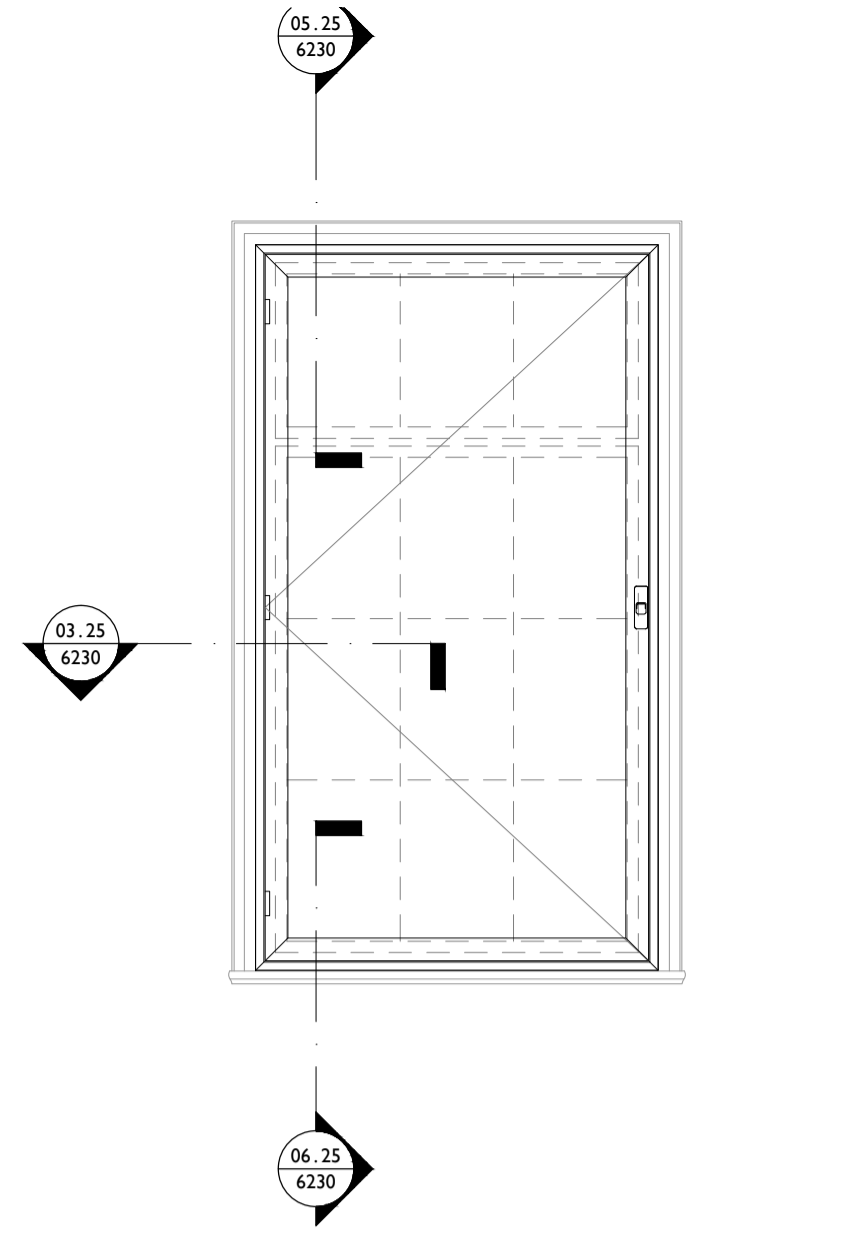
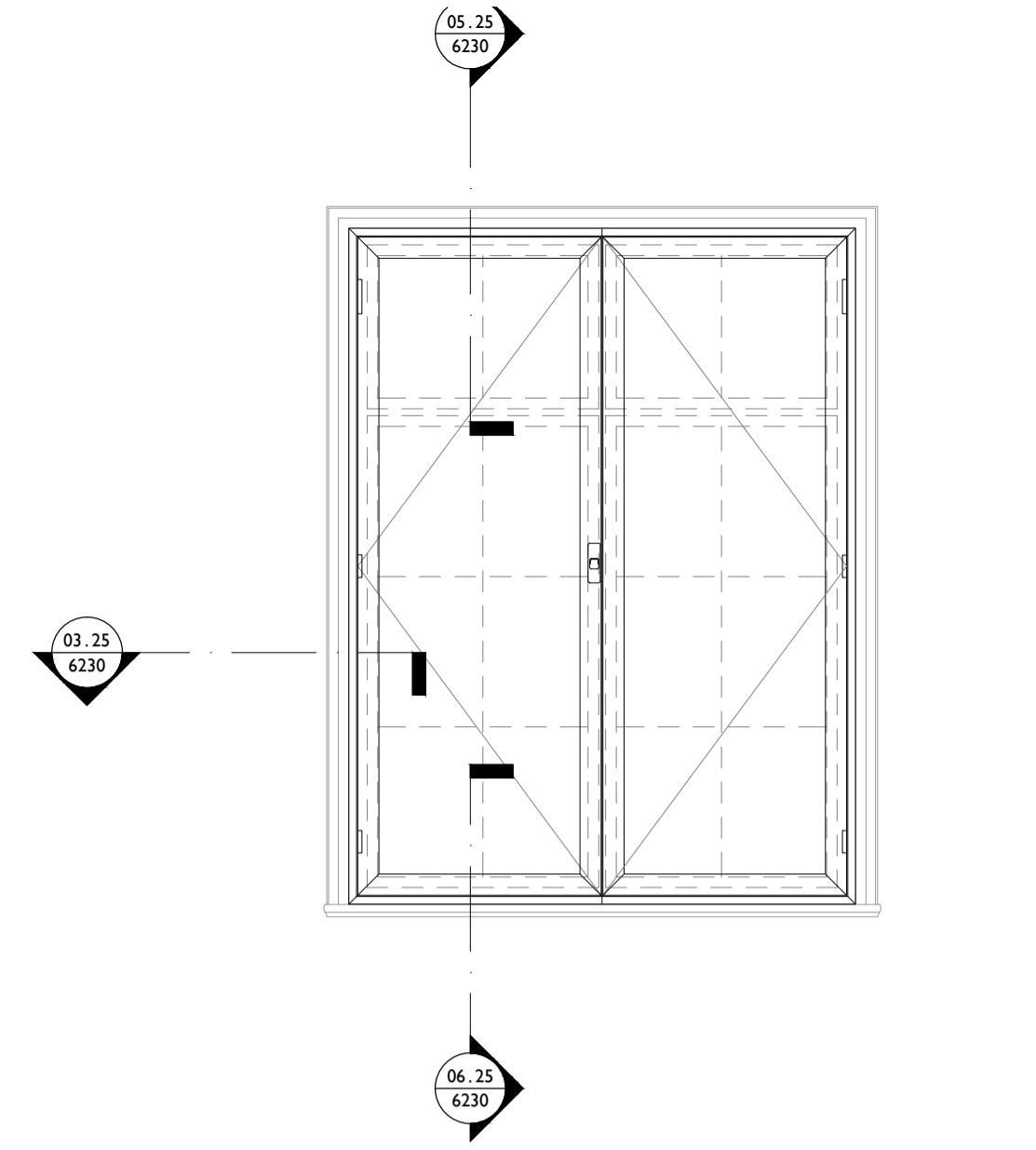


Drawings are based on survey data and may not accurately represent what is physically present.

Do not scale from this drawing. All dimensions are to be verified on site before proceeding with the work.

All dimensions are in millimeters unless noted otherwise.

Purcell shall be notified in writing of any discrepancies.

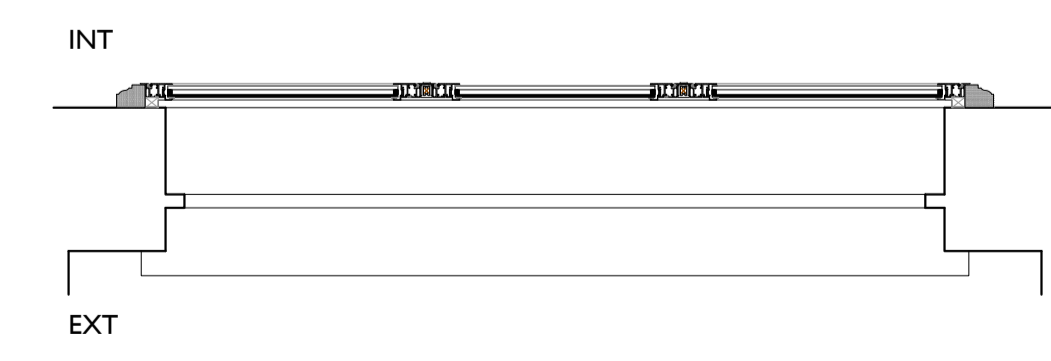
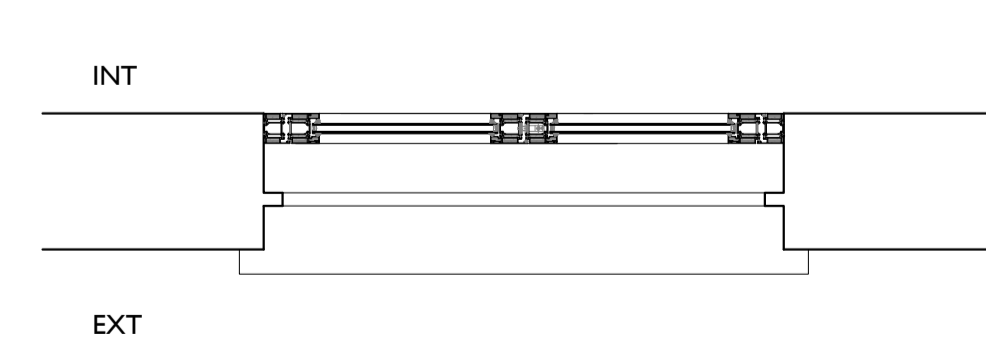
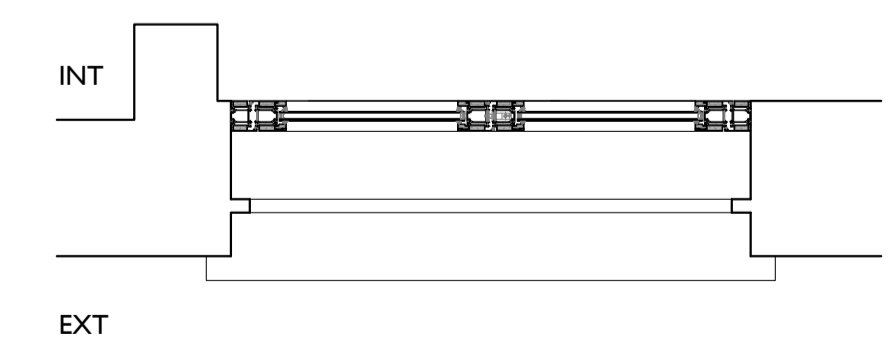
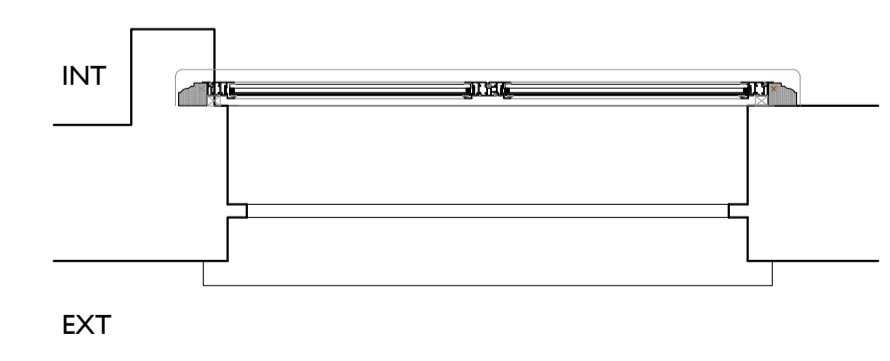
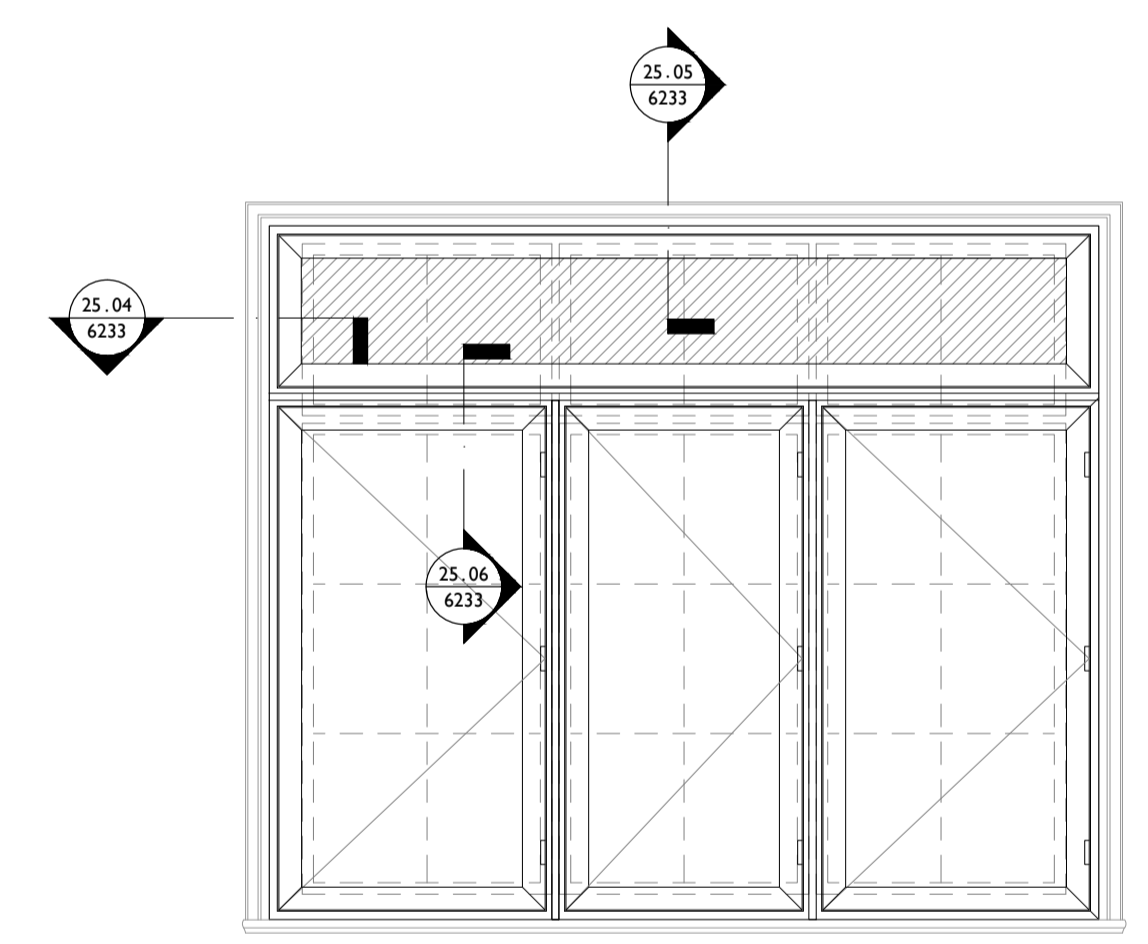
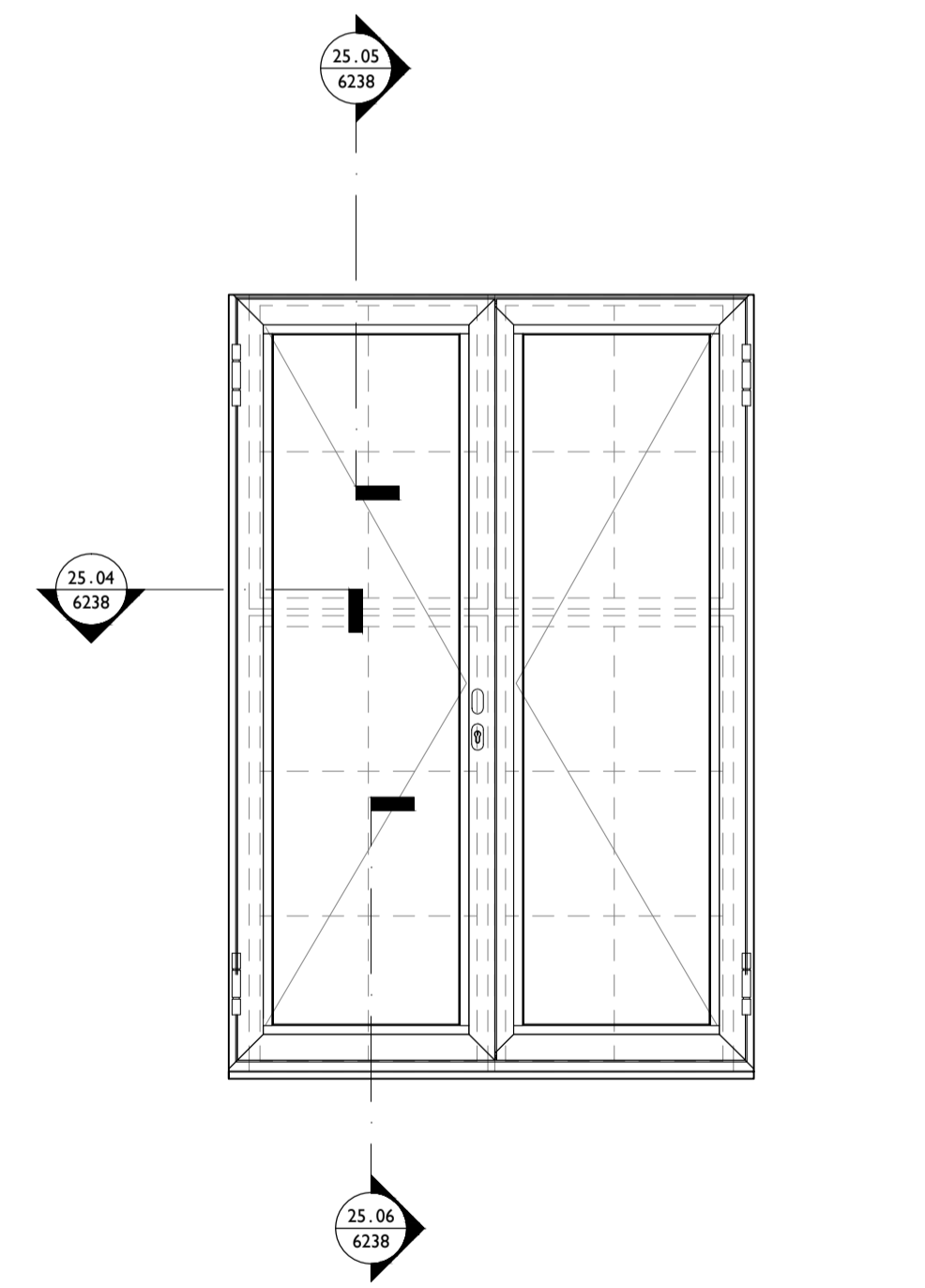
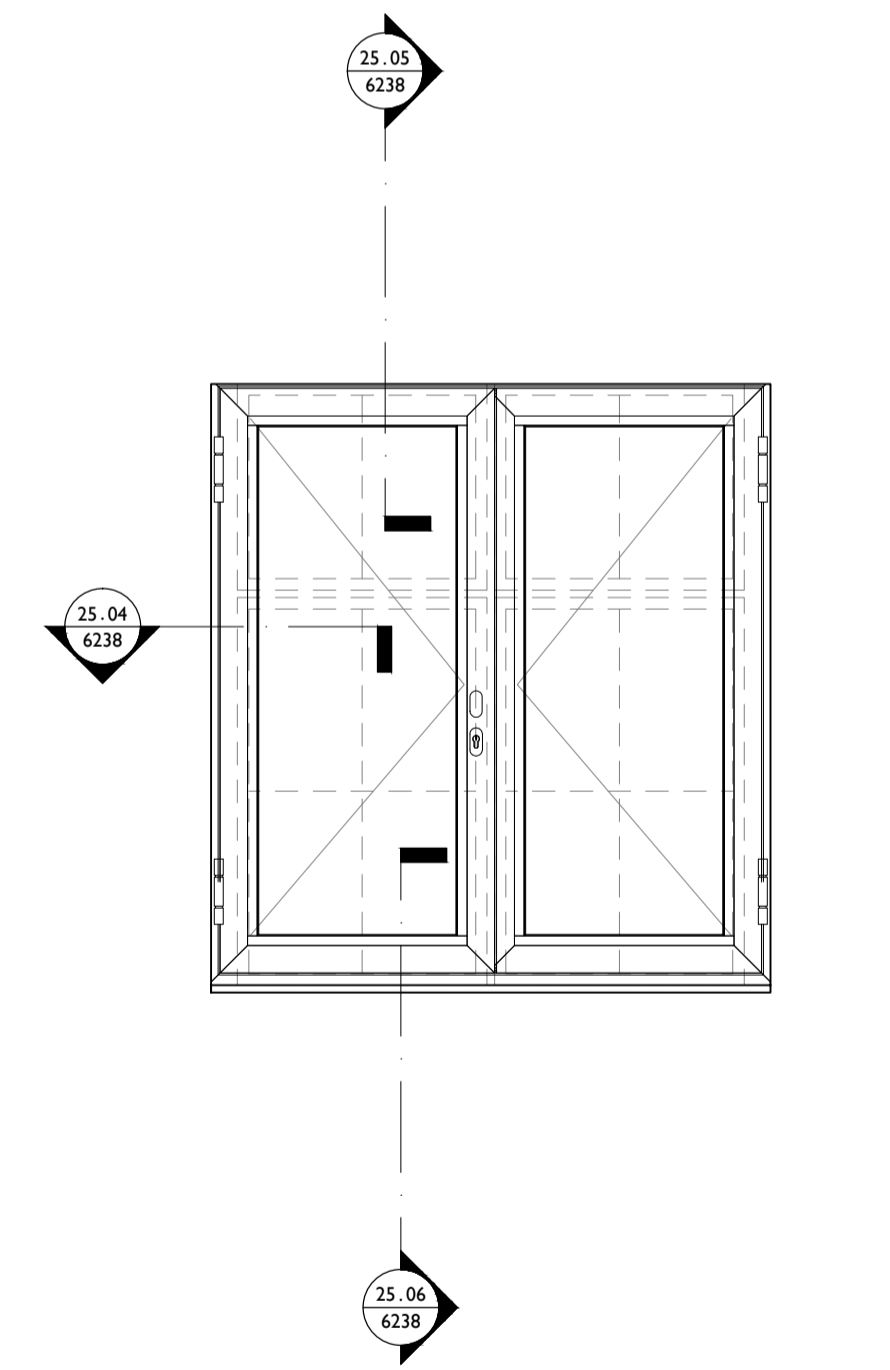
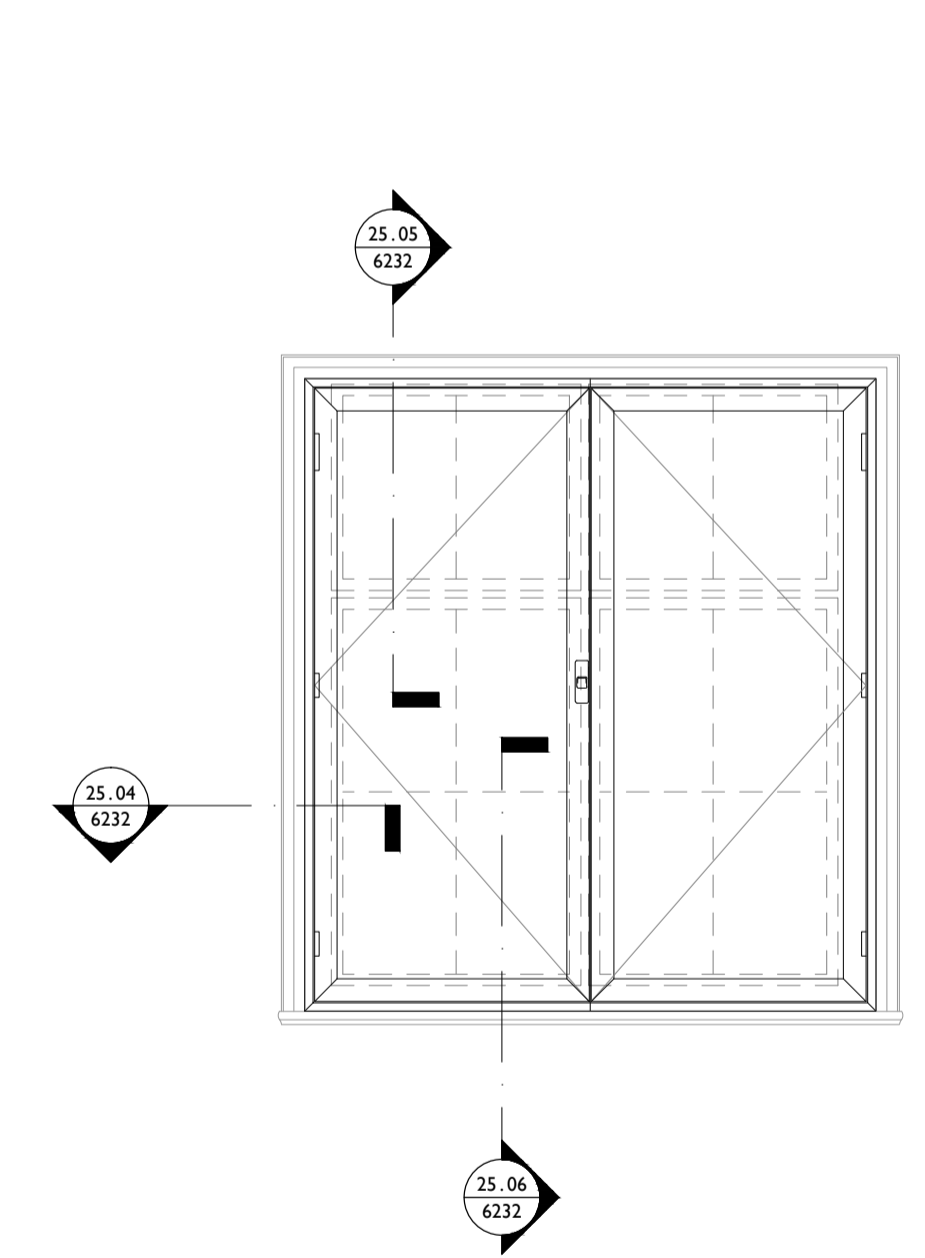


WINDOW TYPE
 WT 201 WT 208
 WT 202 WT 209
 WT 204 WT 212
 WT 206 WT 213

WINDOW TYPE
 WT 205

WINDOW TYPE
 WT 214

WINDOW TYPE
 WT 215

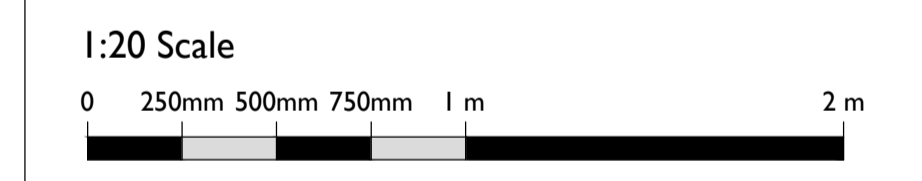


WINDOW TYPE
 WT 216

WINDOW TYPE
 WT 216.1

WINDOW TYPE
 WT 217

WINDOW TYPE
 WT 218



T00 30 Sep 2019 nicolasmith

First Issue 30 Sep 2019 NS NS

ISSUE	DATE	DRAWN	CHECKED	DESCRIPTION
T00	30 Sep 2019	nicolasmith		

DRAWING TITLE Secondary Glazing Window Types
 Second Floor

DRAWING NO. CTH-PUR-XXX-DR-25-6218

REVISION T00

SIZE & SCALE A1L 1:20

DRAWING STATUS ISSUED FOR TENDER

CLIENT Lendlease

PROJECT Camden Town Hall

JOB NUMBER 238664

