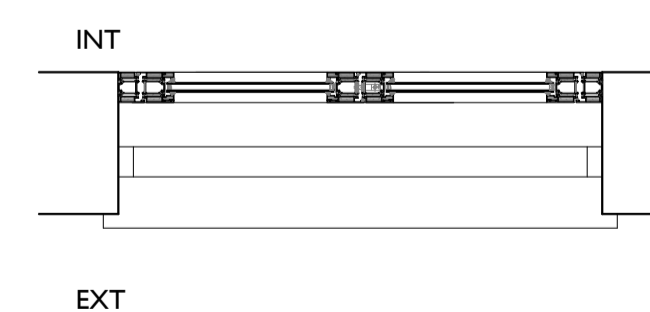
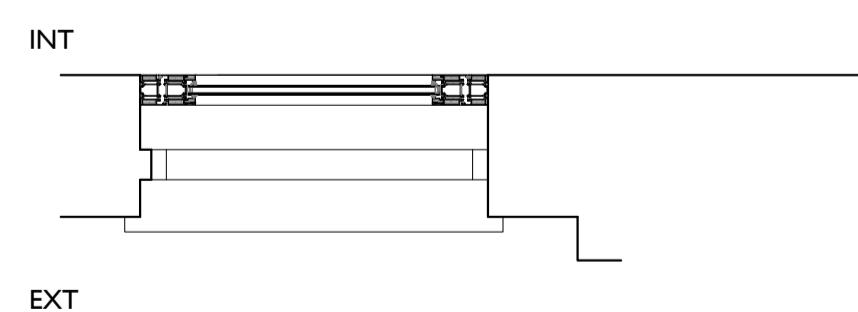
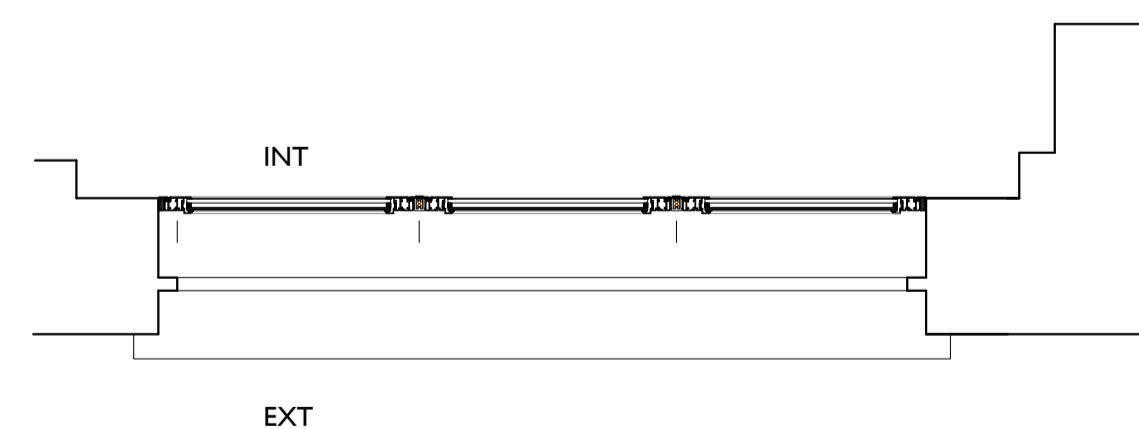
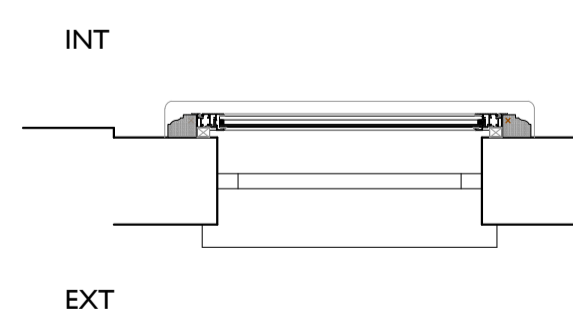
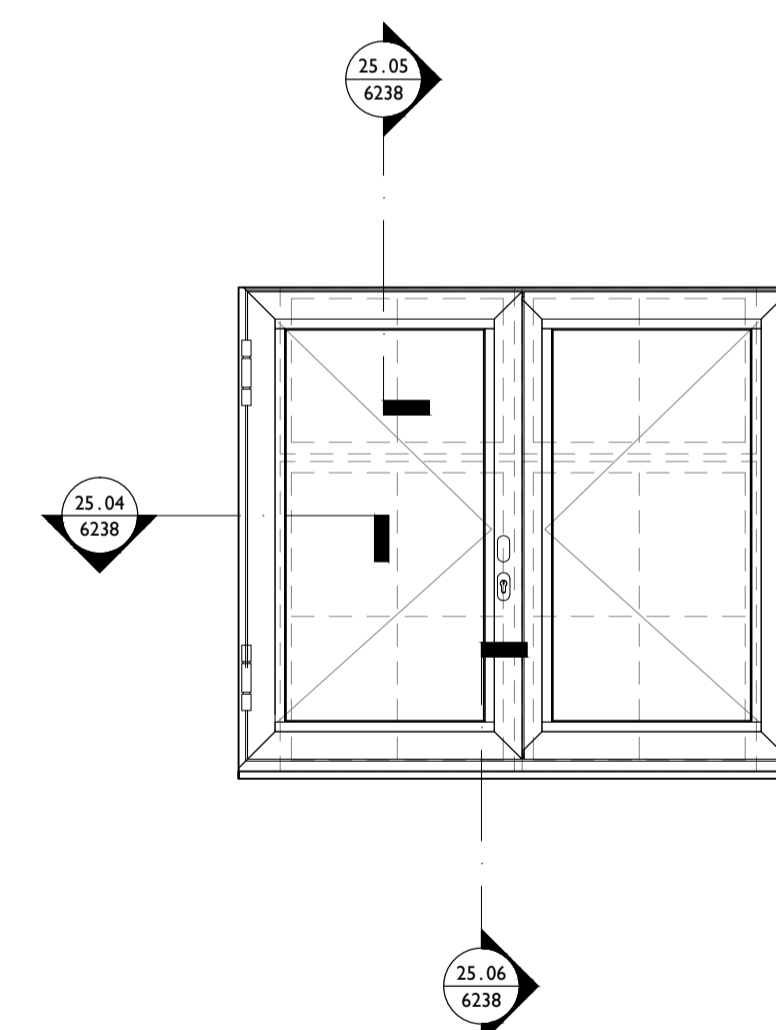
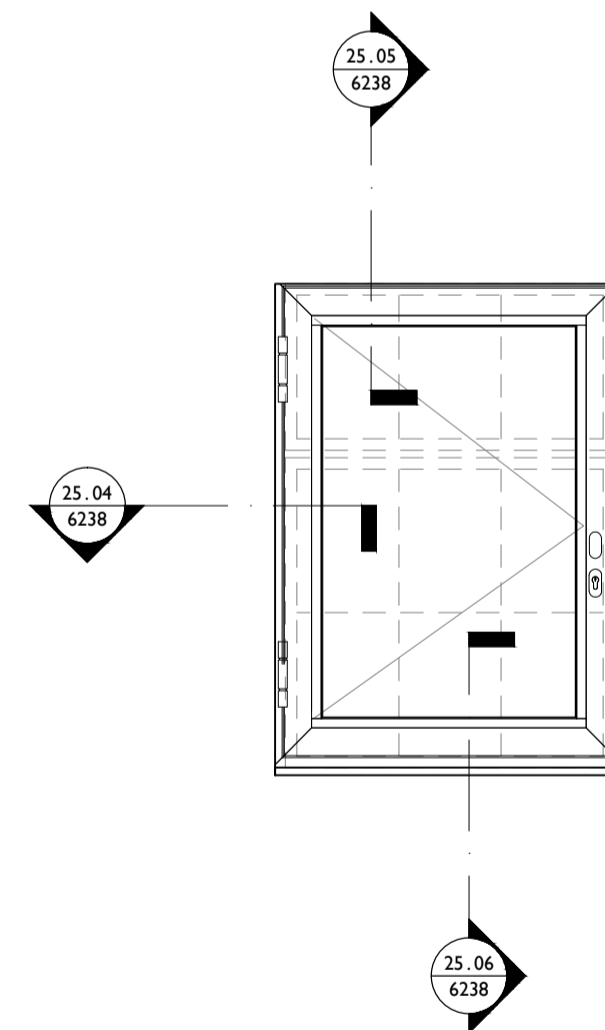
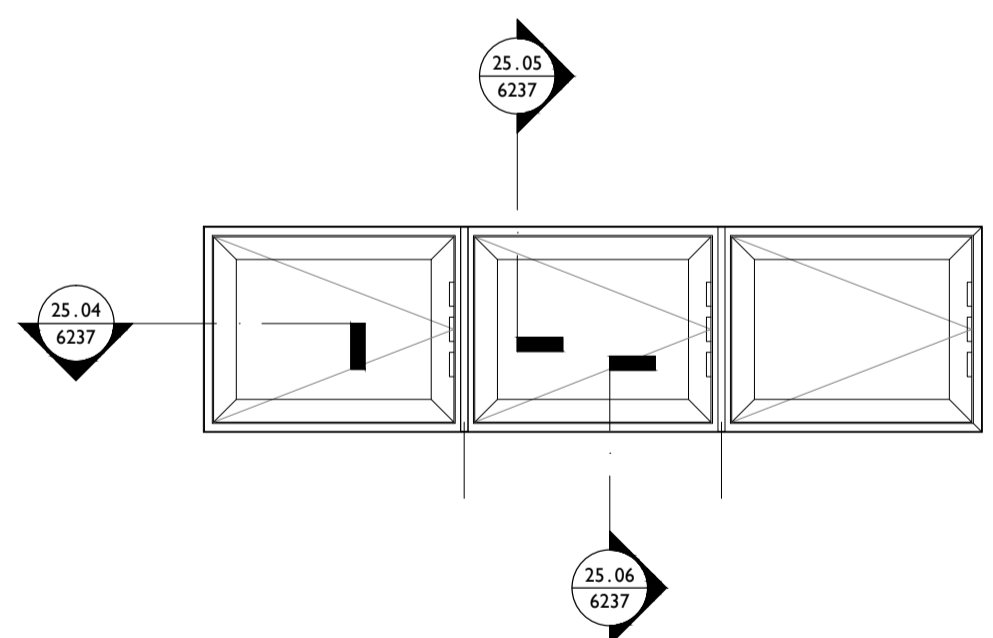
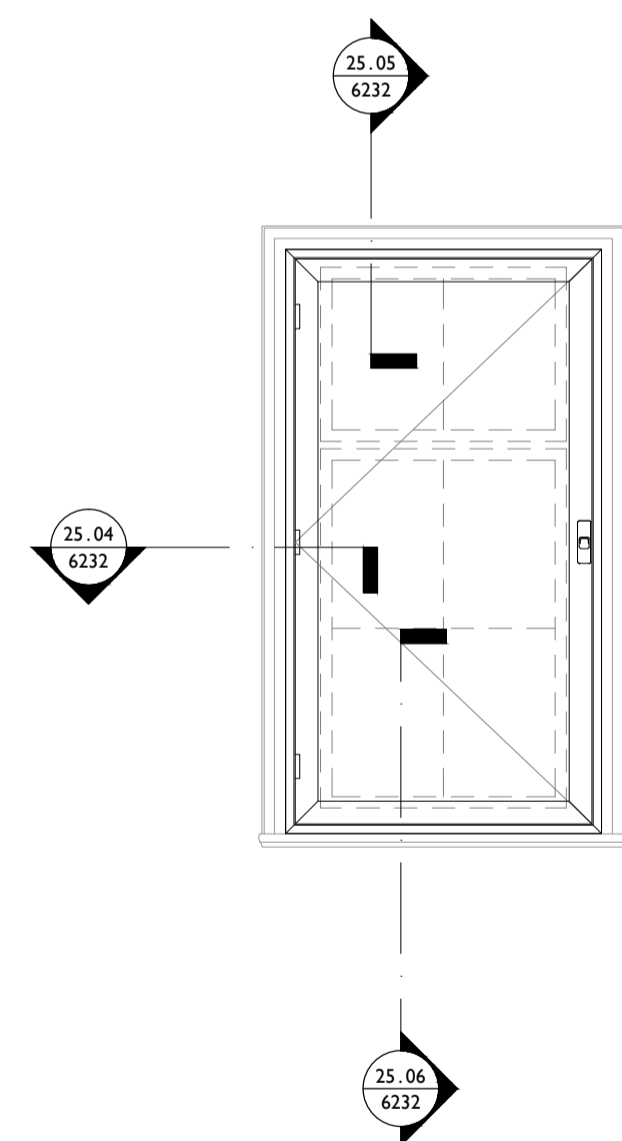


WINDOW TYPE
WT M01

WINDOW TYPE
WT M01.I

WINDOW TYPE
WT M02

WINDOW TYPE
WT M02.I



WINDOW TYPE
WT M03

WINDOW TYPE
WT M04

WINDOW TYPE
WT M05

WINDOW TYPE
WT M06

Notes:

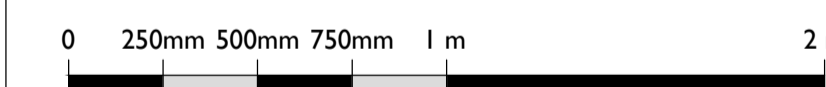
Drawings are based on survey data and may not accurately represent what is physically present.

Do not scale from this drawing. All dimensions are to be verified on site before proceeding with the work.

All dimensions are in millimeters unless noted otherwise.

Purcell shall be notified in writing of any discrepancies.

1:20 Scale



T00 30 Sep 2019 nicolasmith

First Issue 30 Sep 2019 NS NS

ISSUE	DATE	DRAWN	CHECKED	DESCRIPTION
T00	30 Sep 2019	nicolasmith		

DRAWING TITLE Secondary Glazing Window Types
Mezzanine Level

DRAWING NO. CTH-PUR-XXX-DR-25-6216

REVISION T00

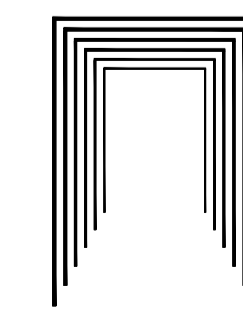
SIZE & SCALE A1L 1:20

DRAWING STATUS ISSUED FOR TENDER

CLIENT Lendlease

PROJECT Camden Town Hall

JOB NUMBER 238664



PURCELL