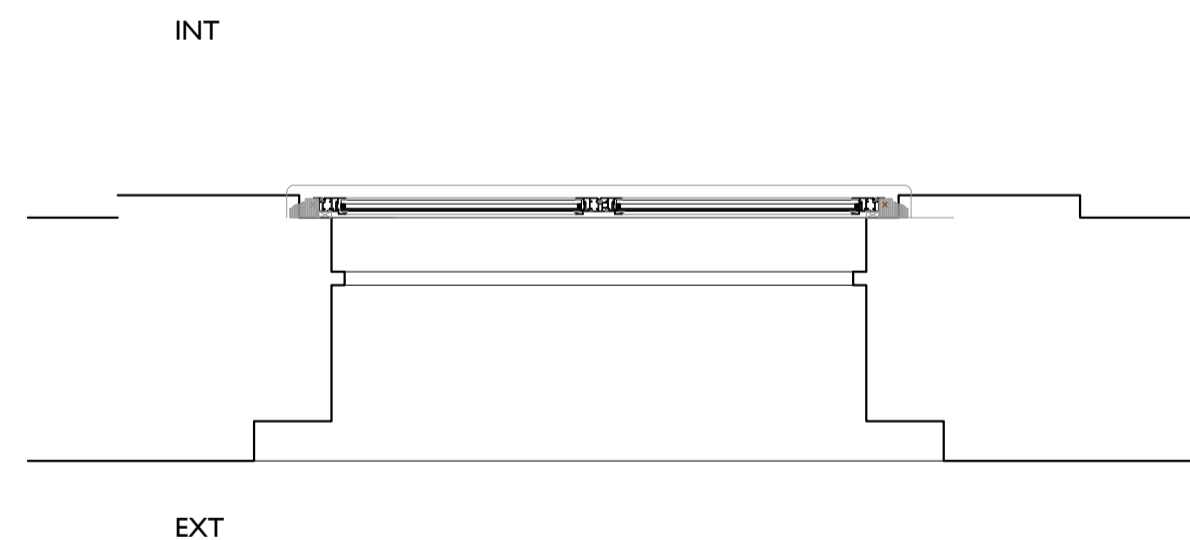
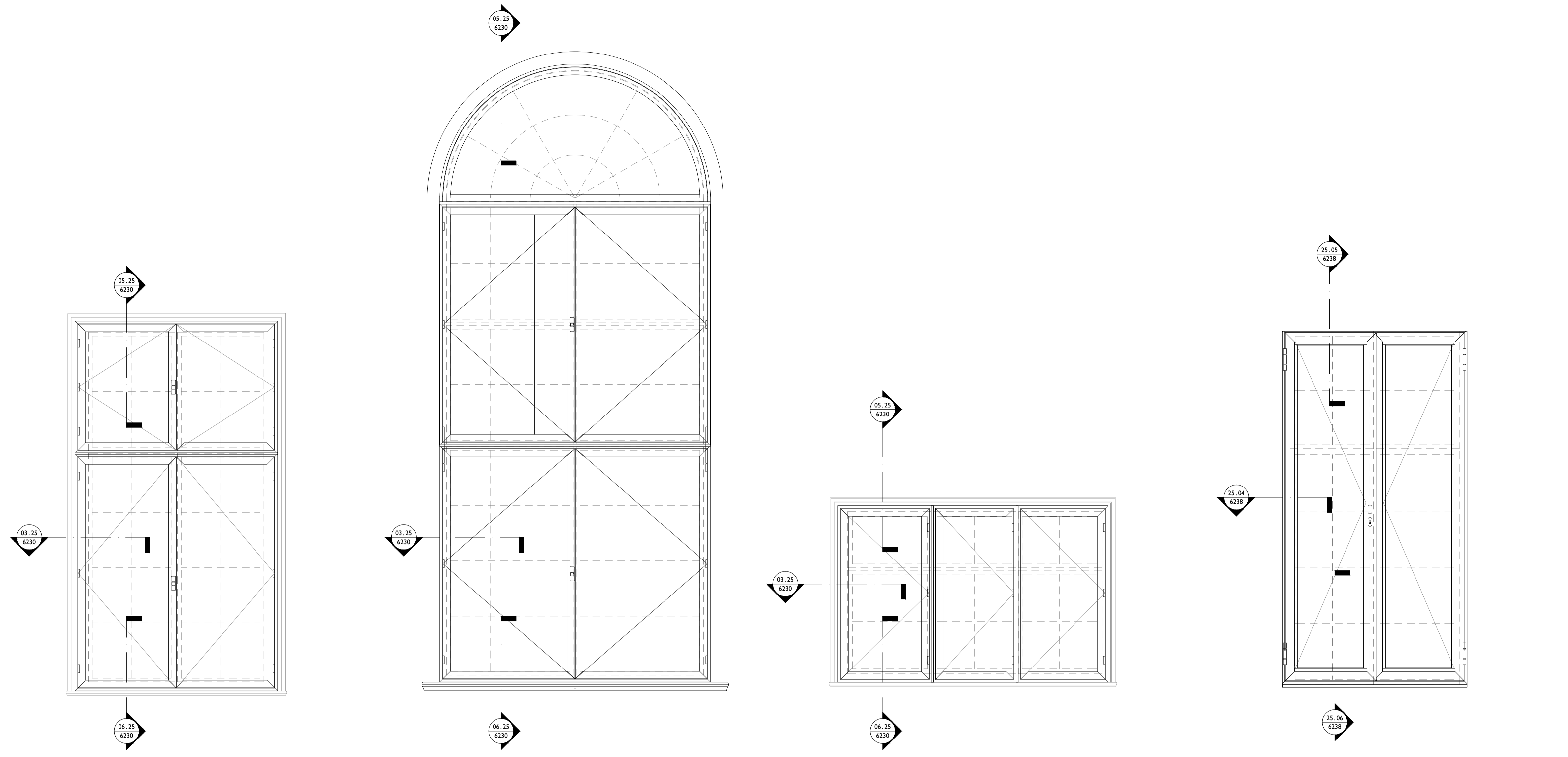
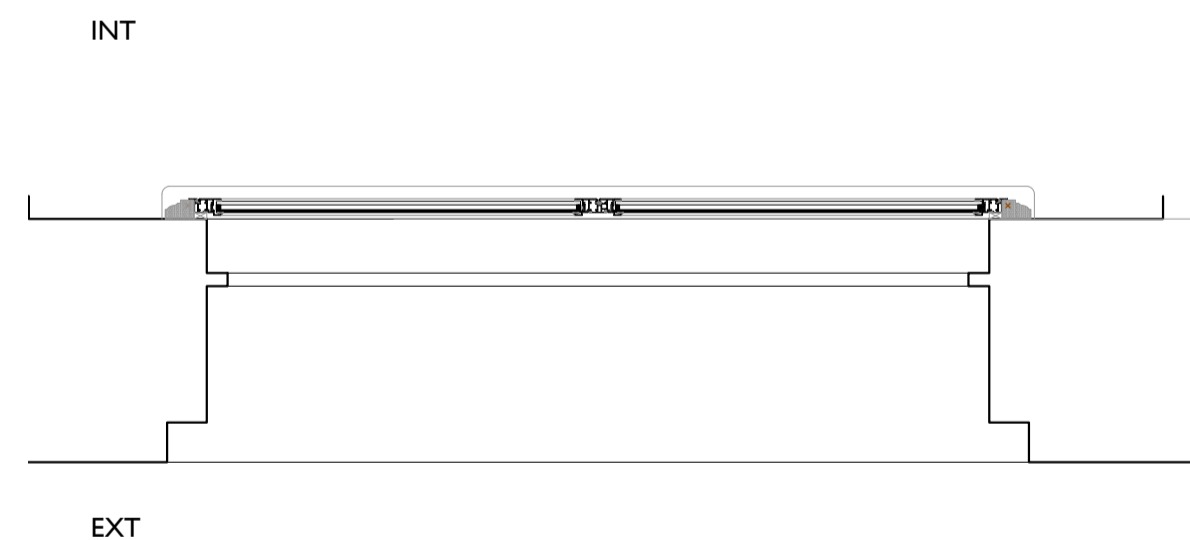


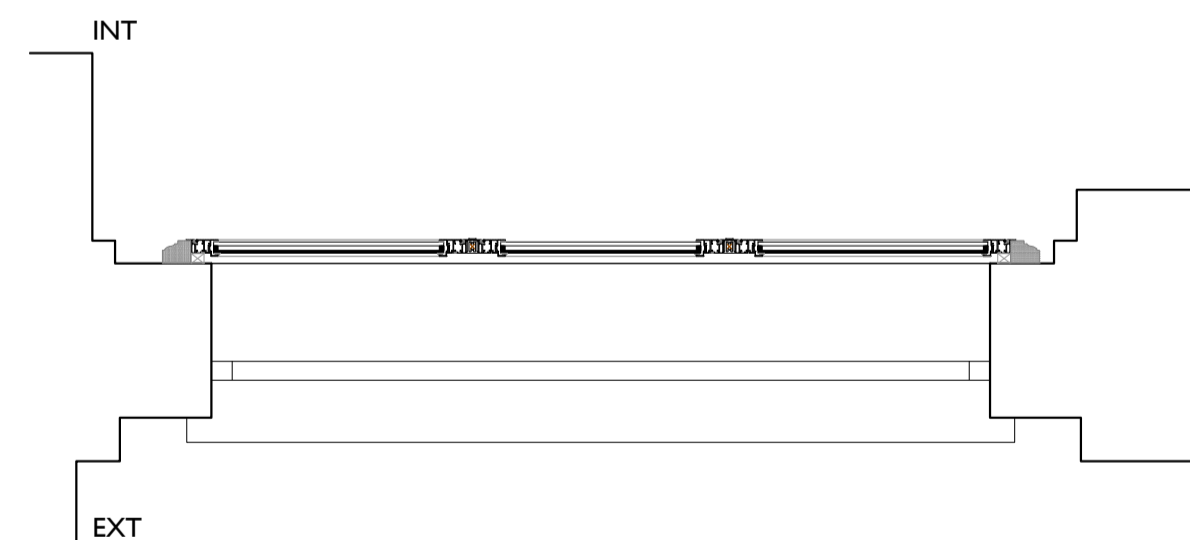
Notes:
 Drawings are based on survey data and may not accurately represent what is physically present.
 Do not scale from this drawing. All dimensions are to be verified on site before proceeding with the work.
 All dimensions are in millimeters unless noted otherwise.
 Purcell shall be notified in writing of any discrepancies.



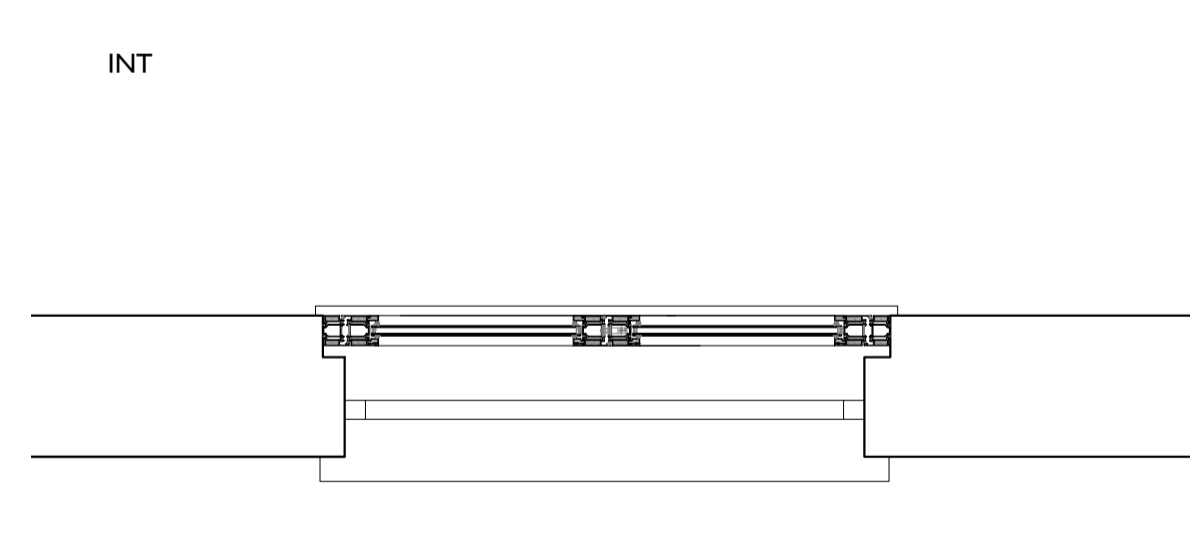
**WINDOW TYPE
WT 111**



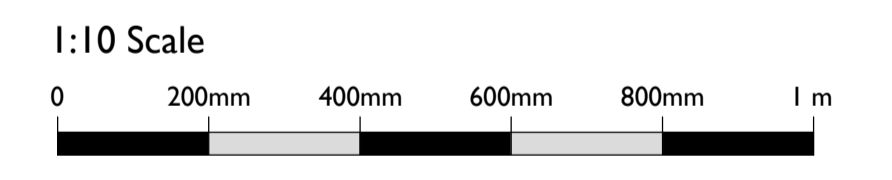
**WINDOW TYPE
WT 112**



**WINDOW TYPE
WT 118**



**WINDOW TYPE
WT 119**



T00 30 Sep 2019 nicolasmith

First Issue 30 Sep 2019 NS NS

ISSUE	DATE	DRAWN	CHECKED	DESCRIPTION
DRAWING TITLE	Secondary Glazing Window Types First Floor			
DRAWING NO.	CTH-PUR-XXX-DR-25-6213			
REVISION	T00			
SIZE & SCALE	A1L 1:10			
DRAWING STATUS	ISSUED FOR TENDER			

CLIENT Lendlease
PROJECT Camden Town Hall
JOB NUMBER 238664

