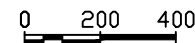
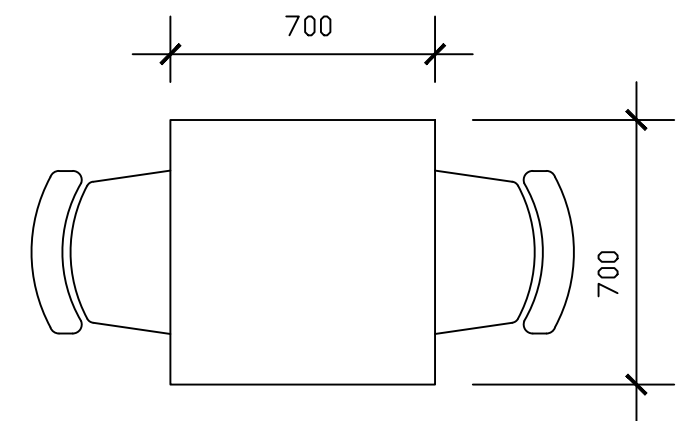


**WIND BREAK- DIMENSIONS**

Scale 1:20 @ A3



- 22.5MM DIA. S/STEEL TOP RAIL FIXED INTO KEYHOLE SLOTS IN POSTS;
- SOLID CANVAS BORDER;
- 48MM DIA S/STEEL POSTS;
- PRINTED GRAPHIC PANEL 1350MM X 850MM PERFORATED CENTER WITH SOLID CANVAS BORDER;

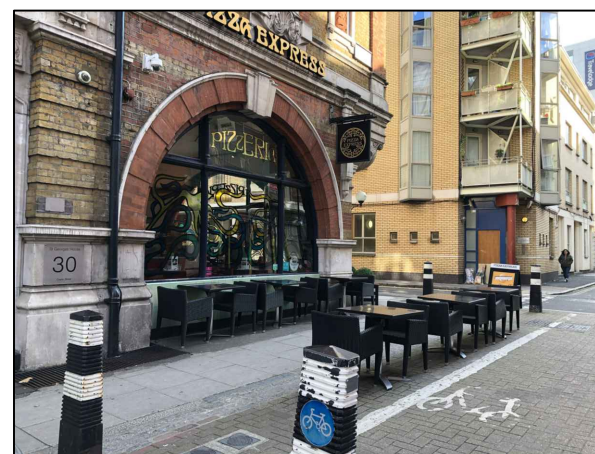


**FURNITURE DIMENSIONS**

Scale 1:20 @ A3



**FURNITURE PHOTOS**



**EXISTING PHOTO**



PIZZA EXPRESS LIMITED  
2ND FLOOR,  
60 CHARLOTTE STREET  
LONDON, W1T 2NU

Job N°/Drg N°  
/

Date  
30.10.19

Rev \_\_\_\_\_ Scale 1:100 @A3 Status \_\_\_\_\_

Director \_\_\_\_\_ Author OJ Check \_\_\_\_\_

Job  
PE Coptic Street

Drawing  
PAVEMENT LICENSE

Do not scale for any other purpose, use figured dimensions only. Subject to site survey and all necessary consents. All dimensions to be checked by user and any discrepancies, errors or omissions to be reported to the Architect before work commences. This drawing is to be read in conjunction with all other relevant materials. Figures relate to the current stage of the project and any development decisions to be made on the basis of this information should include due allowance for the increases and decreases inherent in the design and building processes.