

DO NOT SCALE FROM THIS DRAWING
 DRAWING TO BE READ IN CONJUNCTION WITH ALL OTHER ARCHITECTS
 AND ENGINEERS CONTRACT DRAWING & SPECIFICATIONS.
 ANY DISCREPANCIES MUST BE BROUGHT TO THE ATTENTION OF THE
 ARCHITECT IMMEDIATELY.
 THE CONTRACTOR MUST VERIFY ALL DIMENSIONS BY SITE
 MEASUREMENT BEFORE ORDERING MATERIALS OR MANUFACTURING
 COMPONENTS.
 SUBSTITUTE MATERIALS & PRODUCTS TO THOSE NAMED WILL BE
 ACCEPTABLE IF PROVEN TO BE OF EQUAL OR HIGHER PERFORMANCE
 AND NOT IN CONFLICT WITH OTHER ELEMENTS.
 NOTES

DETAIL	LOCATION
CR - 01	10-05 GF Reception
CR - 02	10-06 GF Lounge
CR - 03	10-02 GF Entrance Hall

Existing cornice to Reception (10-05) to be retained, paint removed and made good. Missing areas to be reformed to match existing.



Existing cornice to Lounge (10-06) to be retained and lower modern freize to be replaced with fluted design in keeping with the period of the property. Existing to have the paint removed and be made good. Missing areas to be reformed to match existing.



Existing cornice to Entrance Hall (10-02) to be retained and redecorated.



01 EXISTING CORNICE - CR-01
 NTS

02 EXISTING CORNICE - CR-02
 NTS

03 EXISTING CORNICE - CR-03
 NTS

REV DATE DESCRIPTION

FOR PLANNING

JOB TITLE
 Keats Grove
 Hampstead
 DRAWING TITLE
 Architectural Details - Cornice
 Existing

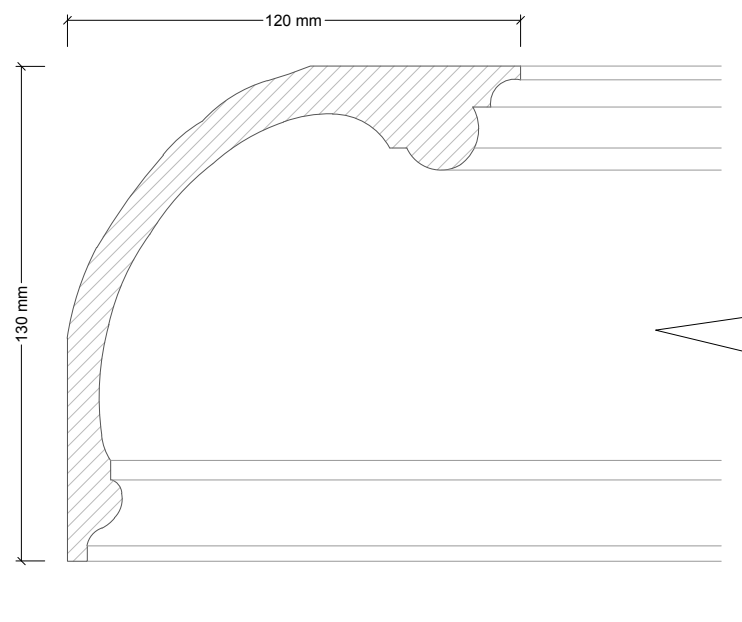
JOB No	DWG No	REV
546	A103	-
DRAWN BY	SCALE (AT A1)	DATE
RFB	NOT TO SCALE	May17

RICHARD GRIFFITHS ARCHITECTS
 5 Maidstone Mews, 72-76 Borough High Street, London SE1 1GN
 T +44(0)20 7357 8788 | F +44(0)20 7403 7887
 E admin@rgarchitects.com | www.rgarchitects.com

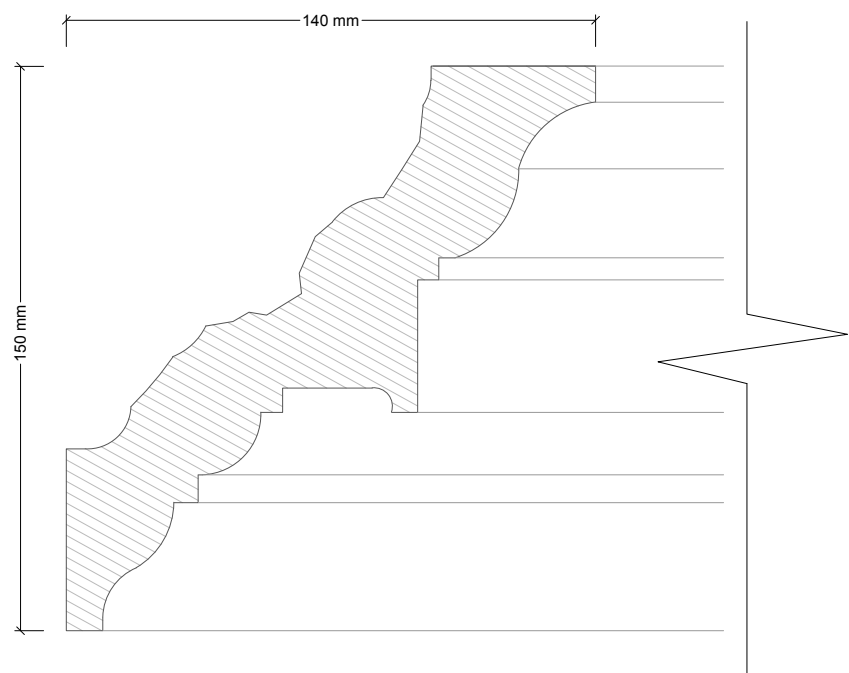
DO NOT SCALE FROM THIS DRAWING
 DRAWING TO BE READ IN CONJUNCTION WITH ALL OTHER ARCHITECTS
 AND ENGINEERS CONTRACT DRAWING & SPECIFICATIONS.
 ANY DISCREPANCIES MUST BE BROUGHT TO THE ATTENTION OF THE
 ARCHITECT IMMEDIATELY.
 THE CONTRACTOR MUST VERIFY ALL DIMENSIONS BY SITE
 MEASUREMENT BEFORE ORDERING MATERIALS OR MANUFACTURING
 COMPONENTS.
 SUBSTITUTE MATERIALS & PRODUCTS TO THOSE NAMED WILL BE
 ACCEPTABLE IF PROVEN TO BE OF EQUAL OR HIGHER PERFORMANCE
 AND NOT IN CONFLICT WITH OTHER ELEMENTS.

NOTES

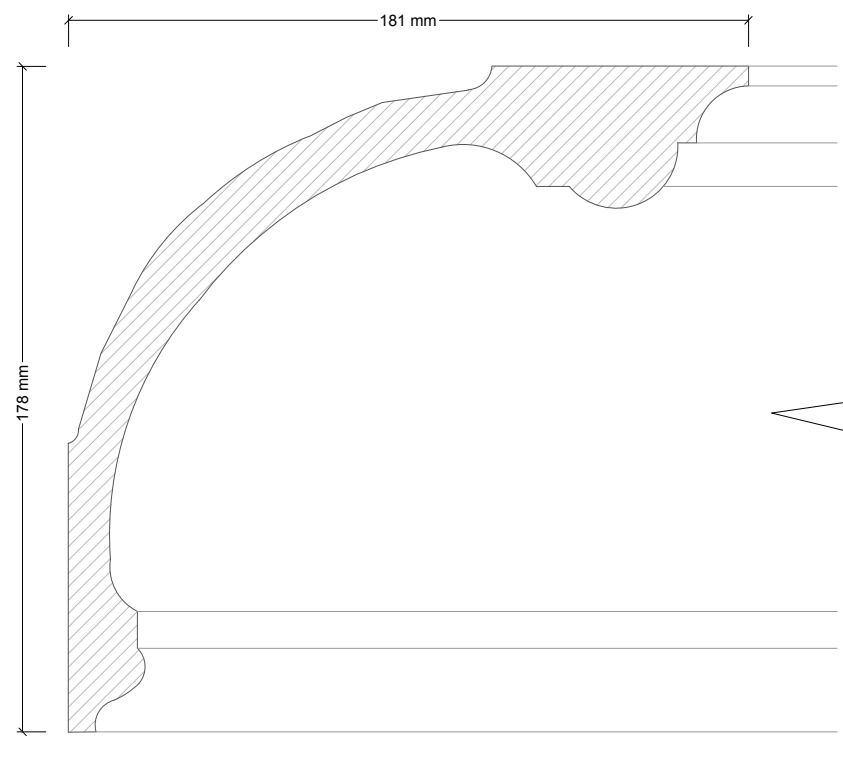
DETAIL	LOCATION
CR - 04	09-04 LGF Office
	09-05 LGF Ensuite
	12-02 2F Guest Bath 2
	12-03 2F Guest Bed 2
CR - 05	09-03 LGF Dining
CR - 06	11-03 1F Bedroom
	11-02 1F Dressing



01 PROPOSED CORNICE - CR-04
 1:2@A3.1:1@A1



02 PROPOSED CORNICE - CR-05
 1:2@A3.1:1@A1



03 PROPOSED CORNICE - CR-06
 1:2@A3.1:1@A1

REV. DATE DESCRIPTION

FOR PLANNING

JOB TITLE
Keats Grove
 Hampstead

DRAWING TITLE
Architectural Details - Cornice
 Proposed

JOB No	DWG No	REV
546	A104	-
DRAWN BY	SCALE (AT A1)	DATE
RFB	1:1	May17

RICHARD GRIFFITHS ARCHITECTS
 5 Maidstone Mews, 72-76 Borough High Street, London SE1 1GN
 T +44(0)20 7357 8788 | F +44(0)20 7403 7887
 E admin@rgarchitects.com | www.rgarchitects.com