

Volume Calculations

35 Achilles Road, London, NW6 1DZ

Studio Were Architects

Volume Calculations

Volume A

$$(3.7\text{m} \times 2.685\text{m}) \div 2 = 4.967 \text{ m}^2$$

$$4.967 \text{ m}^2 \times 5.5\text{m} = \underline{27.319 \text{ m}^3}$$

Volume B

$$(1.425\text{m} \times 1.06\text{m}) \div 2 = 0.755 \text{ m}^2$$

$$0.755 \text{ m}^2 \times 3.475\text{m} = 2.624 \text{ m}^3$$

$$2.624\text{m}^3 \div 4 = \underline{0.656 \text{ m}^3}$$

Total Volume

$$(A - B) = \underline{26.663 \text{ m}^3}$$

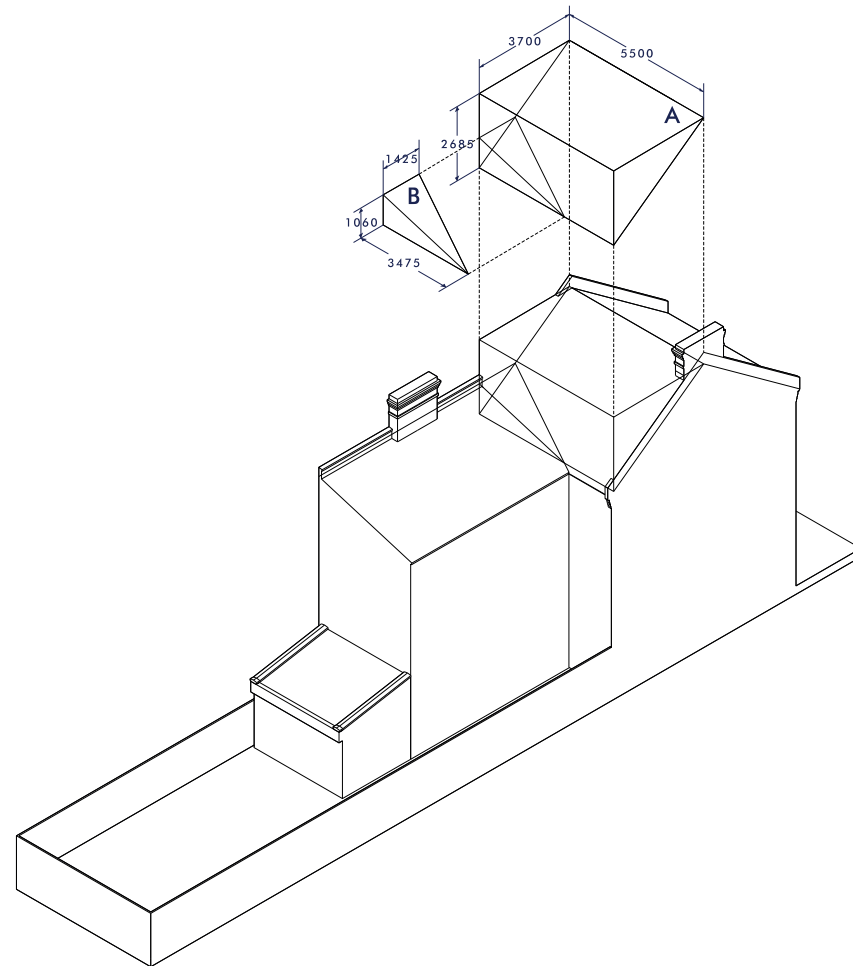


Diagram to show the volume calculations.

