



Texaco Food Mart
PROJECT

New Pylon Sign Structural
TITLE

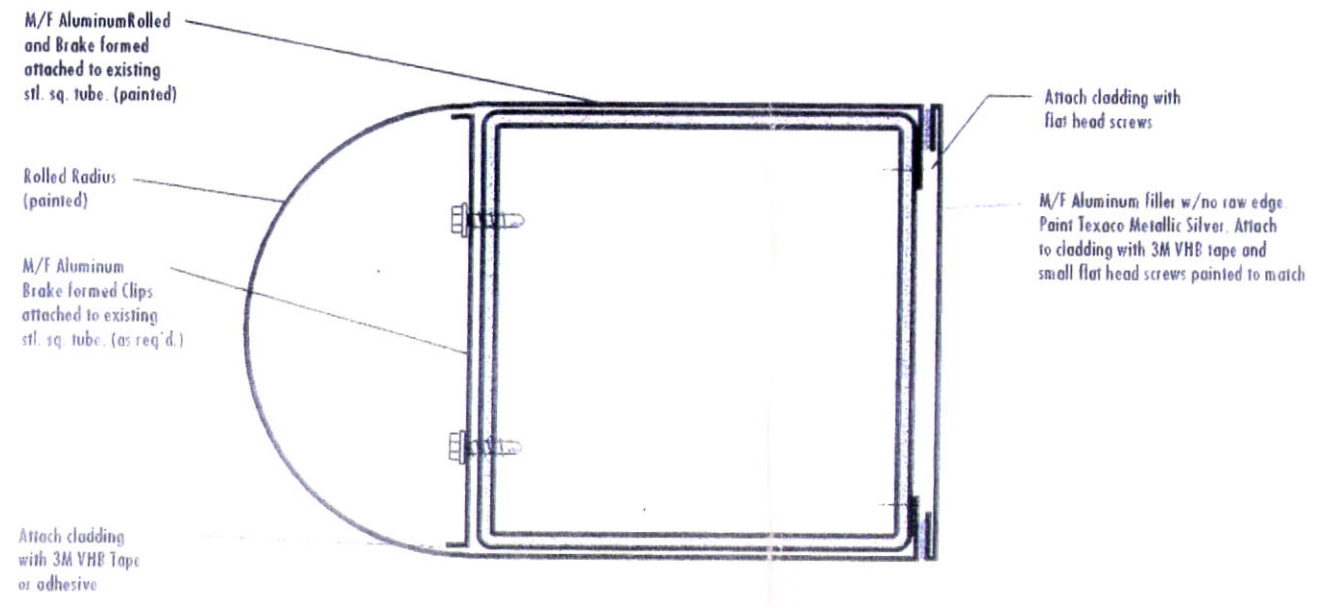
December 1, 1995
DATE

March 28, 1996

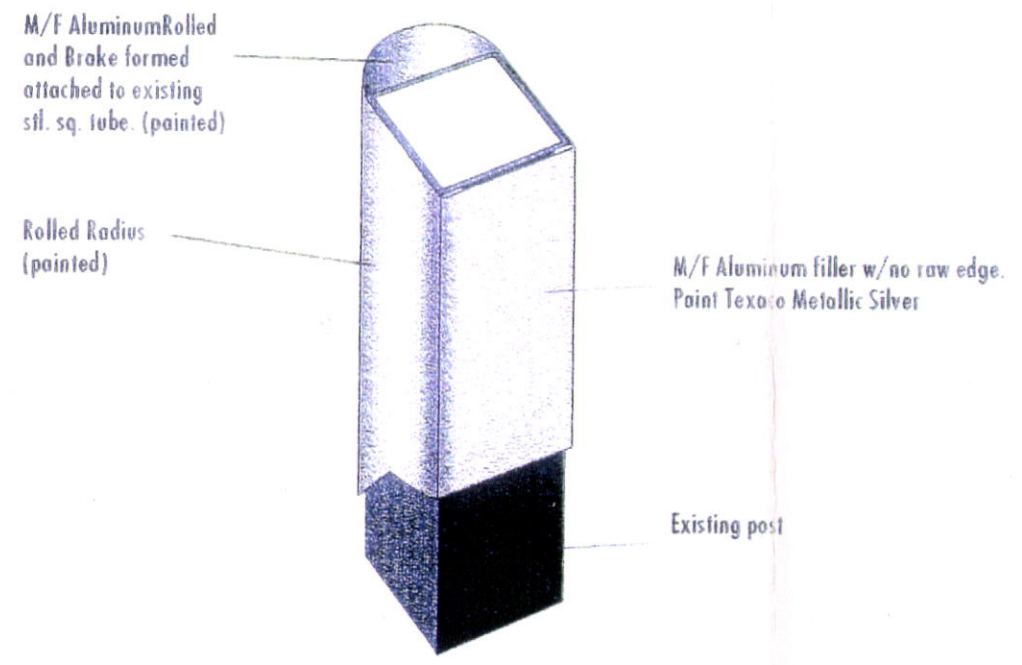
REVISIONS

These drawings are for the sole purpose of expressing visual design intent only and are not intended for actual fabrication purposes.

3.3
SHEET NUMBER



A PLAN SECTION - Pylon post cladding
Scale: NONE



B ISOMETRIC VIEW - Pylon post cladding
Scale: NONE

LONDON BOROUGH OF CAMDEN
TOWN AND COUNTRY PLANNING ACTS
14 JAN 1997
PLANS APPROVED
ON BEHALF OF THE COUNCIL

LONDON BOROUGH OF CAMDEN
TOWN AND COUNTRY PLANNING ACTS
14 JAN 1997
PLANS APPROVED
ON BEHALF OF THE COUNCIL

A9601080R1