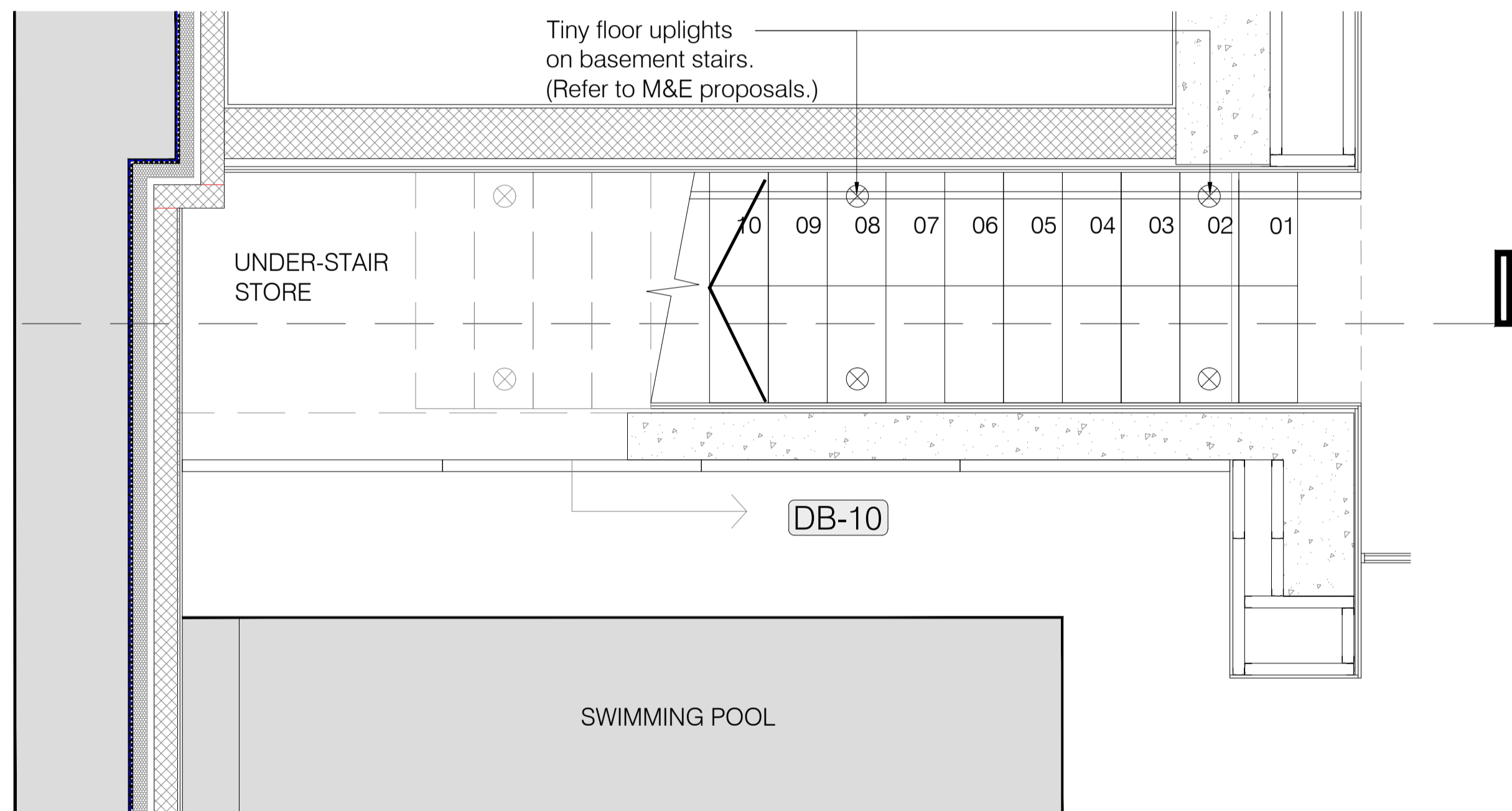


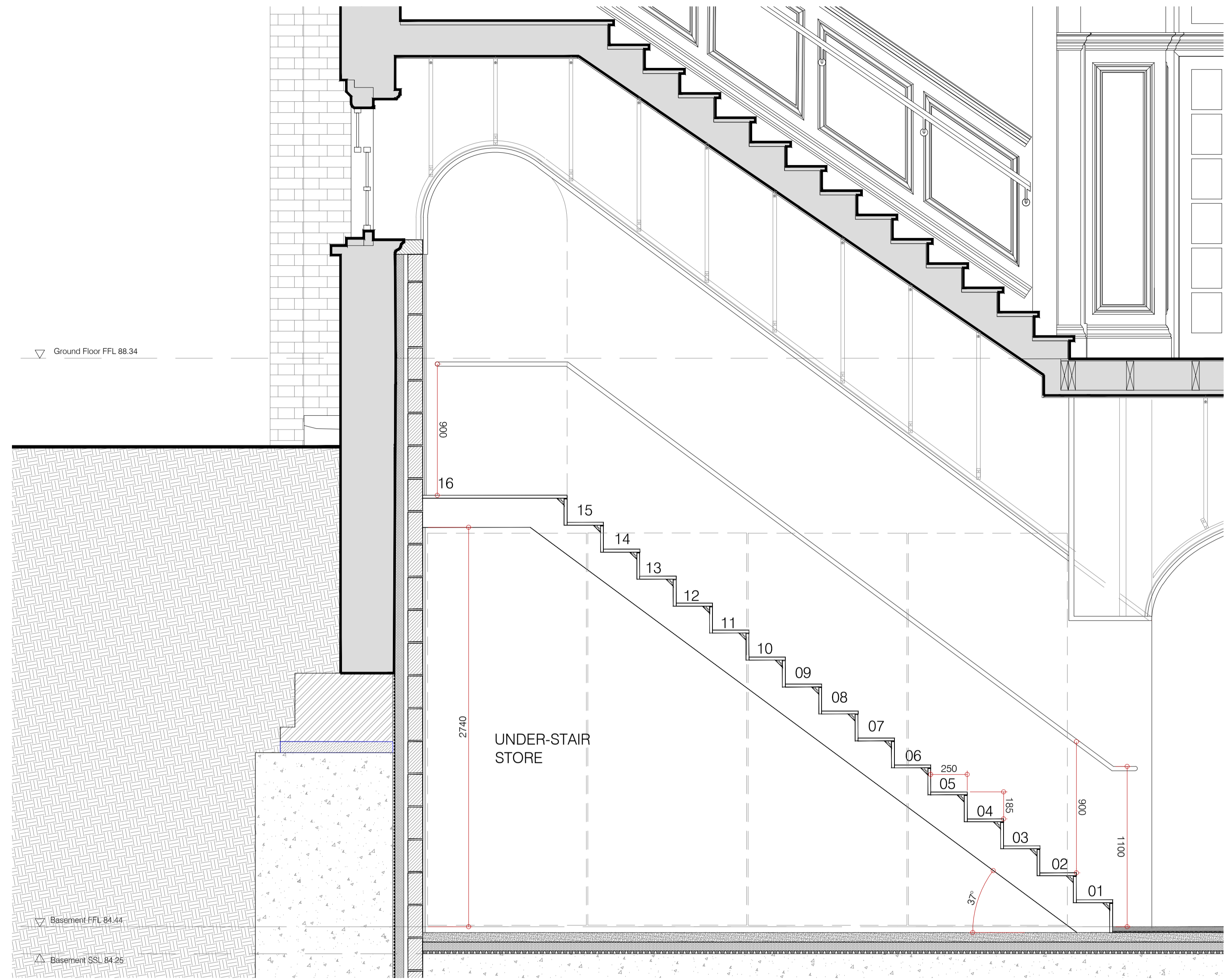
Ground Floor Plan  
Scale 1:20

Steps: 21  
Going: 250  
Rise: 185.7  
FFL-FFL:3900

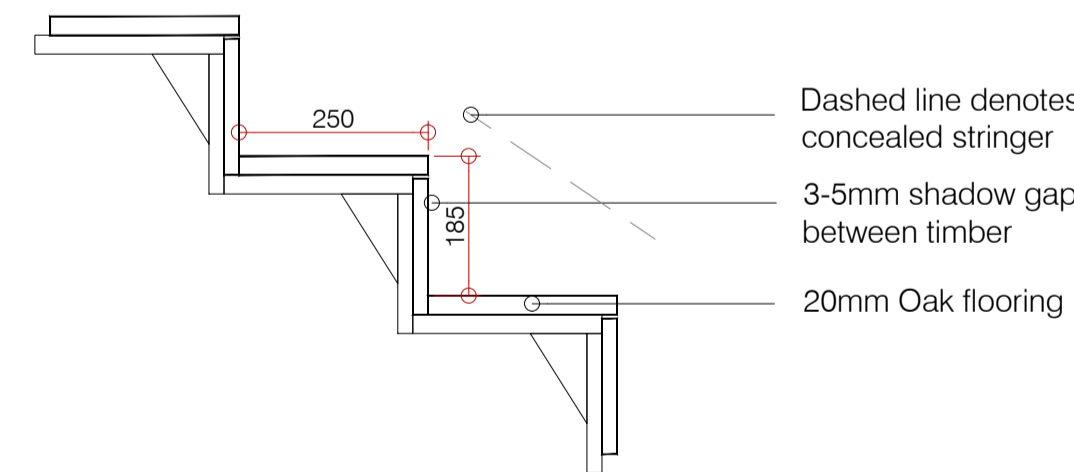
Dimensions to be taken on site by contractor prior to manufacture.



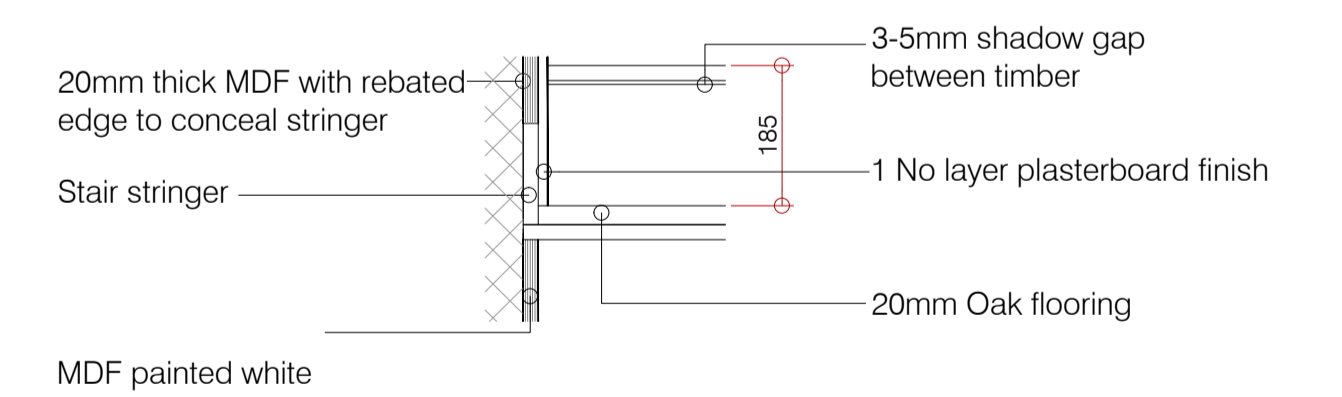
Basement Plan  
Scale 1:20



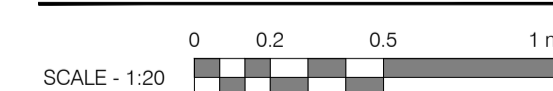
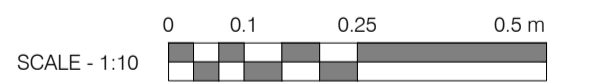
Section Detail  
Scale 1:20



Stair stringer detail  
Scale 1:10



Stair stringer detail through cladding  
Scale 1:10



Rev:	Comments:	By:	Date:
A	Minor Material Amendment	RM	08-09-2020

**PLANNING**

Client:  
Project Title:  
24 Heath Drive, London, NW3 7SB

Drawing Title:  
Details  
Basement Stair Details

Scale:	Date:	Drawn:	Checked:
1:20@A1 1:10@A1	SEP 19	MS	RM

**kyson**  
Studio

28 Scrutton Street  
London  
UK  
EC2A 4RP

T: +44(0) 20 7247 2462  
E: enquiries@kyson.co.uk  
W: www.kyson.co.uk

Project No.:	Drawing No.:	Revision:
508-16	8000	A

Do not scale this drawing. All dimensions must be checked on site. All rights reserved. No reproduction in any material form is permitted without consent.