

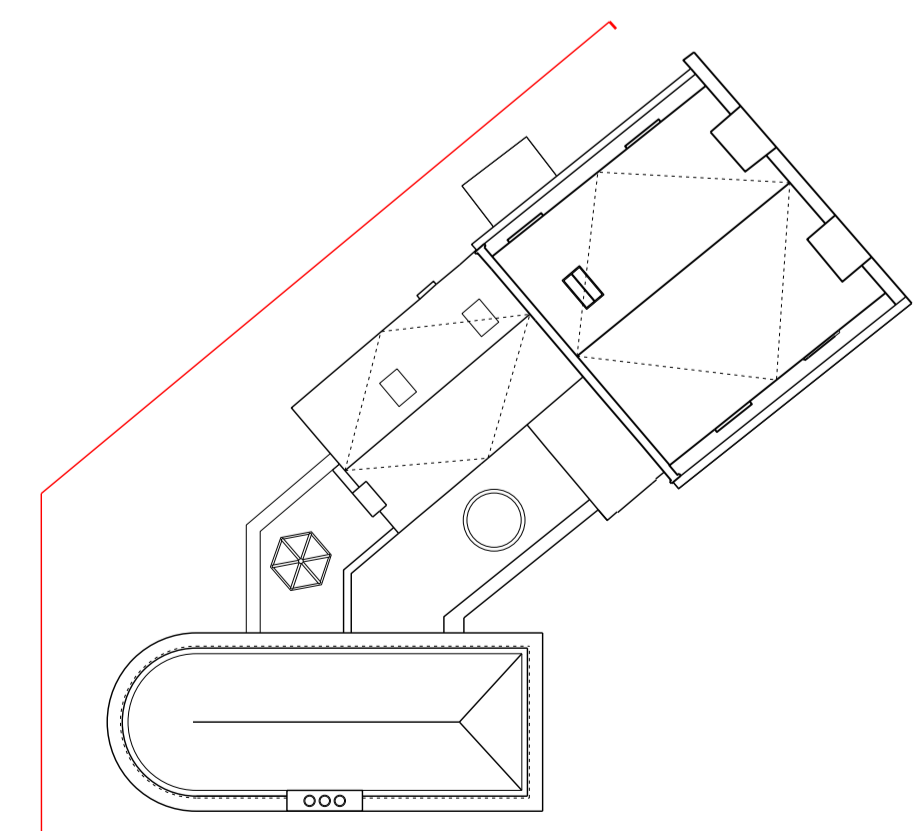
DO NOT SCALE OFF THIS DRAWING. DIMENSIONS, AREA AND LEVELS ARE ONLY APPROXIMATE AND SUBJECT TO SITE SURVEY. ALL DIMENSIONS TO BE CHECKED ON SITE. ANY DISCREPANCIES OR VARIATIONS TO BE REPORTED TO THE ARCHITECT BEFORE WORK COMMENCES.

THIS DRAWING IS TO BE READ IN CONJUNCTION WITH THE SPECIFICATION WHERE PROVIDED, AND ALL RELEVANT CONSULTANTS DRAWINGS AND FOR SPECIALISTS DRAWINGS (DOCUMENTS AND ANY DISCREPANCIES OR VARIATIONS ARE TO BE REPORTED TO THE ARCHITECT BEFORE THE AFFECTED WORK COMMENCES.

THIS DRAWING IS PROTECTED BY COPYRIGHT AND MUST NOT BE COPIED OR REPRODUCED WITHOUT THE WRITTEN CONSENT OF CHRIS DYSON ARCHITECTS LLP. NORTH POINTS SHOWN ARE INDICATIVE. ©



1 PROPOSED REAR ELEVATION



2 1:200 PROPOSED GROUND FLOOR KEYPLAN



REV	DATE	NOTES	INT.
04	xxxx	PLANNING ISSUE	DR
03	21.07.19	PLANNING ISSUE	MF
02	04.07.19	REVISED PRE-APP HE	VB
01	30.05.19	PRE-APP RESPONSE	DR
00	11.01.19	PRE-APP ISSUE	JR

PROJECT
45 HIGHGATE WEST HILL

DRAWING TITLE
PROPOSED REAR ELEVATION

STATUS	PLANNING			
DATE	DRAWN	CHECK	SCALE @ A3	1:100
JAN 2018	MW	MW	SCALE @ A1	1:50
PROJECT NUMBER	DRAWING NUMBER	REVISION LETTER		
0417	A	1102	04	

CHRIS DYSON ARCHITECTS
 1 FASHION STREET T: 020 7247 1816
 SPITALFIELDS F: 020 7377 6082
 LONDON E1 6LY W: www.chrisdyson.co.uk