

- General notes:
- Positions of all equipment, ductwork and fittings are indicative only.
  - Contractors shall confirm the sequence of installation works to ensure safe access is maintained.
  - Attention is drawn to health & safety issues. Liaise with the main contractor to ensure that installation works are programmed to minimise H&S risks and minimise co-ordination.
  - All dimensions / duct sizes are in millimetres unless otherwise stated.
  - This drawing was produced using CAD and should not be amended by hand.
  - All dimensions shown are for reference and should be checked on site prior to commencement of work.

- Specific notes:
- This drawing should be read in conjunction with all architectural, structural and drawings from other services (incl. mechanical, catering, electrical, sprinklers), along with contract documentation and specifications for the works.
  - Ensure all method statements, sign offs and approvals are in place before proceeding with any work.
  - All work to be carried out in accordance with the current British Standards, B.S. codes of practice and building regulations.
  - The HVAC services works shall be carried out in full accordance with the client specification and in full accordance with any standard technical guide and specification.
  - Ductwork shall be installed in accordance with all current industry standard guidelines / regulations.
  - Generated ductwork to be manufactured to DW144.
  - Ductwork sized in accordance with all current industry standard guidelines / regulations. Duct dimensions shown on drawings are their external dimensions (not including flanges and fittings).
  - Access doors required on kitchen extract duct every 1500mm for cleaning and before / after every change of direction & should be accessible at all locations via ceiling access panels or gridded ceiling etc. Access panels to be provided by main contractor in any solid ceilings where final requirements indicated by HVAC installation contractor.
  - Duct connections with fans and other equipment to be a manufactured canvas connector to prevent duct leakage noise and transmission of vibrations.
  - Volume control dampers shall be installed on all branch legs and diffuser / grille terminals to facilitate commissioning.
  - Supply and secondary fan coil unit ductwork to be fully insulated.
  - Fresh air inlets and exhausts locations are shown individually on these drawings. The exact positions shall be agreed with the client, architect and the main contractor and shall be shown accurately on the working / co-ordinated drawings.
  - Position of all grilles / air valves shown are in optimum positions for air flow. The grilles to be positioned as close as practicable to location shown and coordinated with other services and fabric constraints.
  - Fire dampers are to be shown on ductwork (excluding kitchen extract ducts) penetrating fire compartment divides and shall incorporate certified fire dampers to match the barrier rating, together with access panels. Reference to be made to architect's fire strategy drawing to establish locations. Fire dampers are shown indicatively on these drawings.
  - All transfer grilles and ductwork where fire rated, shall match the fire rating of the wall in which it is installed.
  - Attenuation and anti-vibration measures shall be incorporated on all plant and ductwork supports in full accordance with acoustic consultant's specification.
  - Access required to all plant equipment for maintenance and cleaning.
  - Refer to catering specialist layout to determine confirmed canopy sizes and location.
  - Condensate drain from AC condensers to be cut to the nearest waste connection or to rooftop drain. Condensate drains from the FCUs to be run to the nearest drain (25mm), subject to manufacturer and fire requirements. Both shall be the equivalent plastic or copper size.
  - Install all mechanical equipment in accordance with manufacturers guidelines.
  - Catering condensers are not CUL equipment. However, they are indicatively shown on CUL drawings to allow for proposed space and access within the HVAC plant area.
  - Locations of all required floor, wall and roof openings shall be co-ordinated with all other trades involved.
  - No other loads (soffits services or man loading) shall be hung from ductwork supports.

METERAGE	
SUPPLY DUCTWORK	0.0m
WC EXTRACT DUCTWORK	0.0m
AC PIPEWORK	0.0m

*Quantities are for this sheet only*

No.	Date	Rev. By	Revision Description
D	07/04/19	JJ	Revised To Existing
C	28/03/19	JJ	Revised Attenuation
B	19/03/19	JJ	Revised Notation, Big Foot System Added
A	27/02/19	JJ	Extract duct repositioned

Client:

**ROSA'S THAI CAFE**

Project:

Rosa's Thai Cafe  
Earlham Street  
London

Drawing Title:

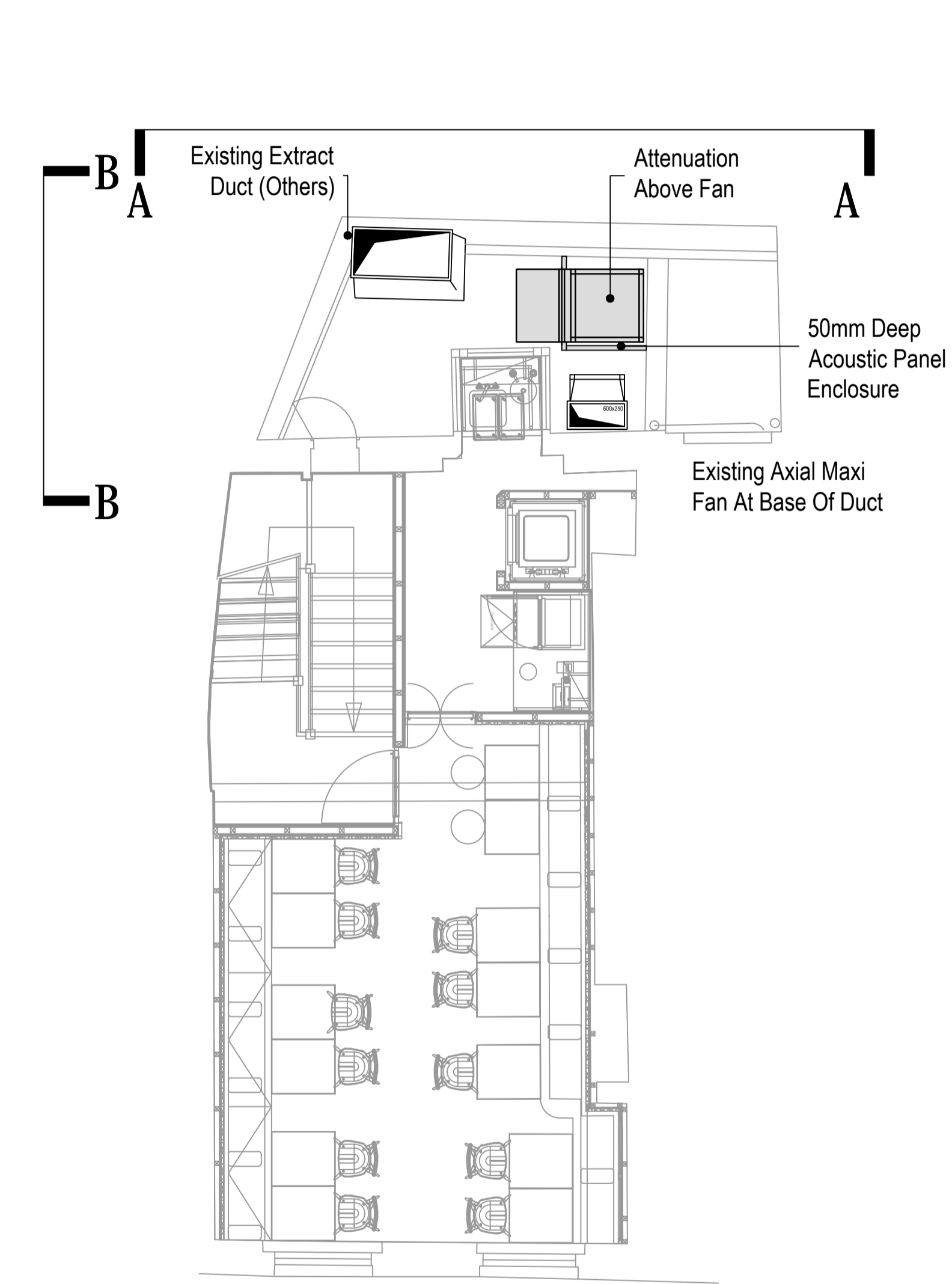
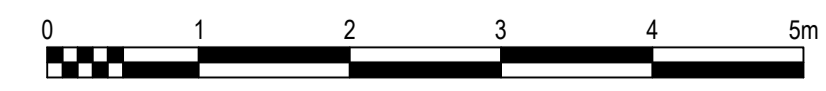
**Existing Ventilation Layout  
Plant Deck & Elevation**

Drawing No.: 001-612-01 Rev: D

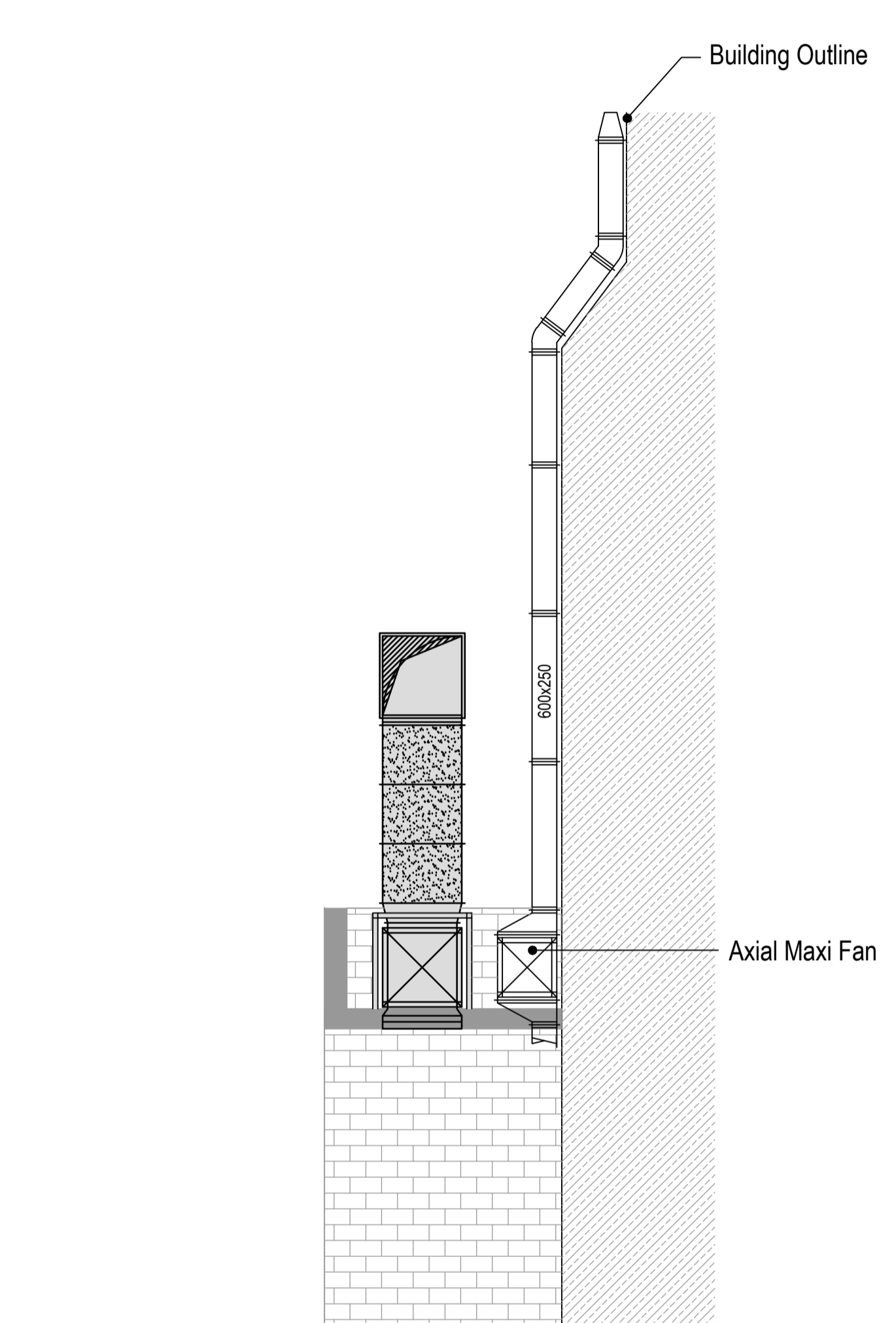
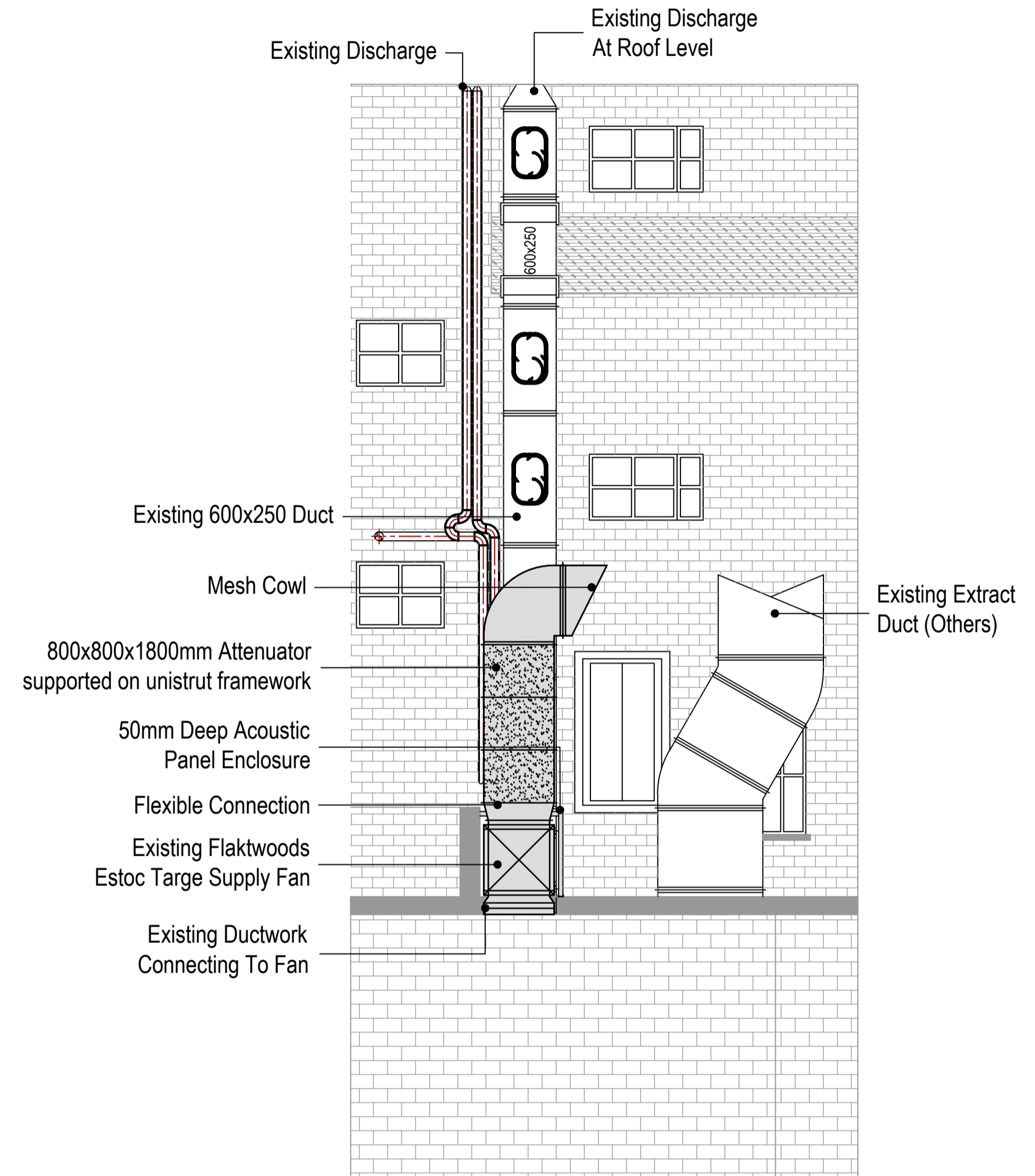
Scale: 1:50 @ A1 1:100 @ A3  
Drawn By: JJ Checked By: - Date: 26/02/19

**chapman ventilation**  
15-20 Woodfield Road, Welwyn Garden City  
Hertfordshire AL7 1JQ  
Tel: 01707 372658 Fax: 01707 325001  
E-mail: info@chapmanventilation.co.uk  
Web: www.chapmanventilation.co.uk

Copyright of this drawing resides with Chapman Ventilation Limited ©

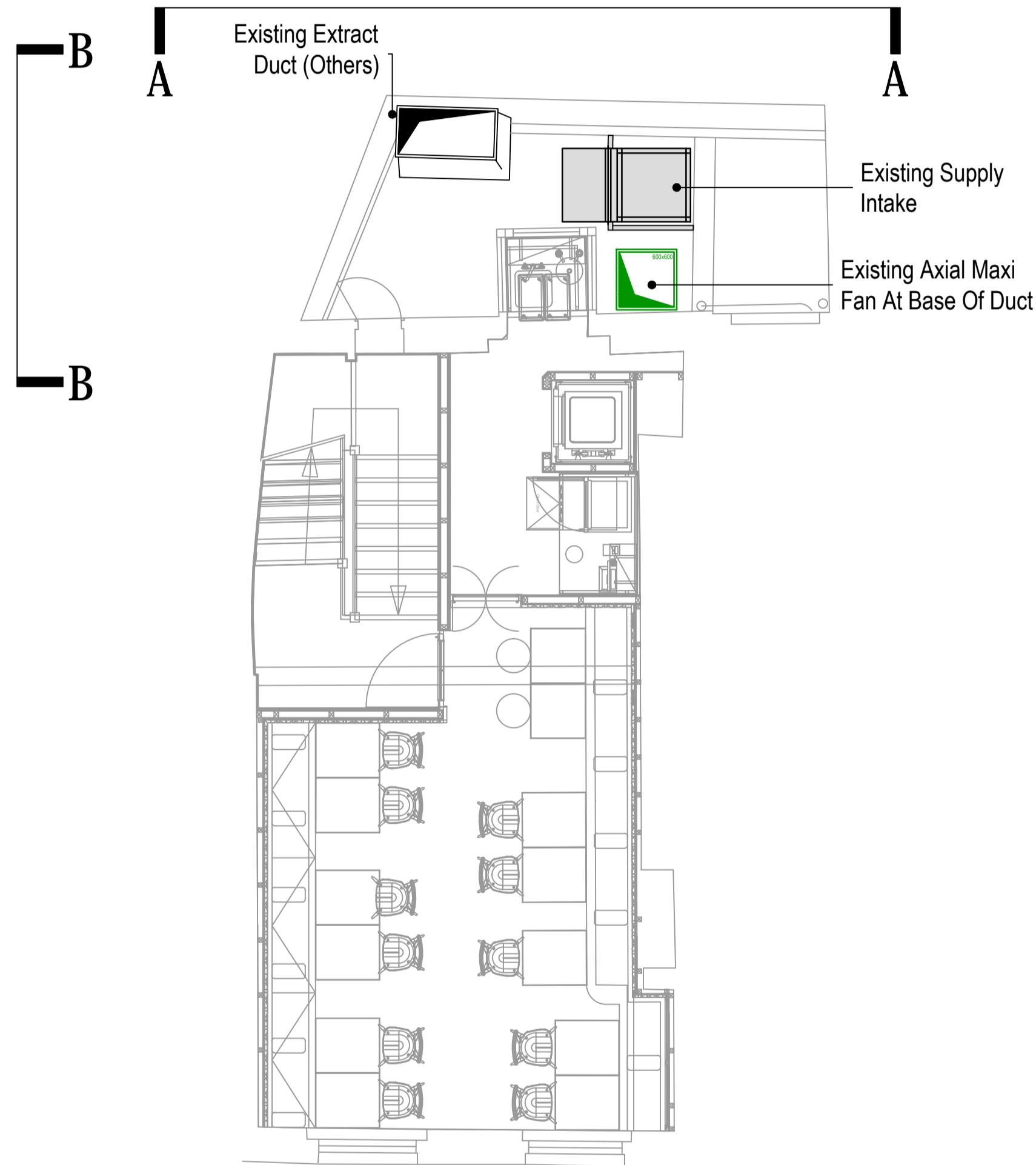
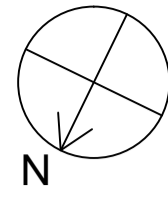


**A-A ELEVATION**

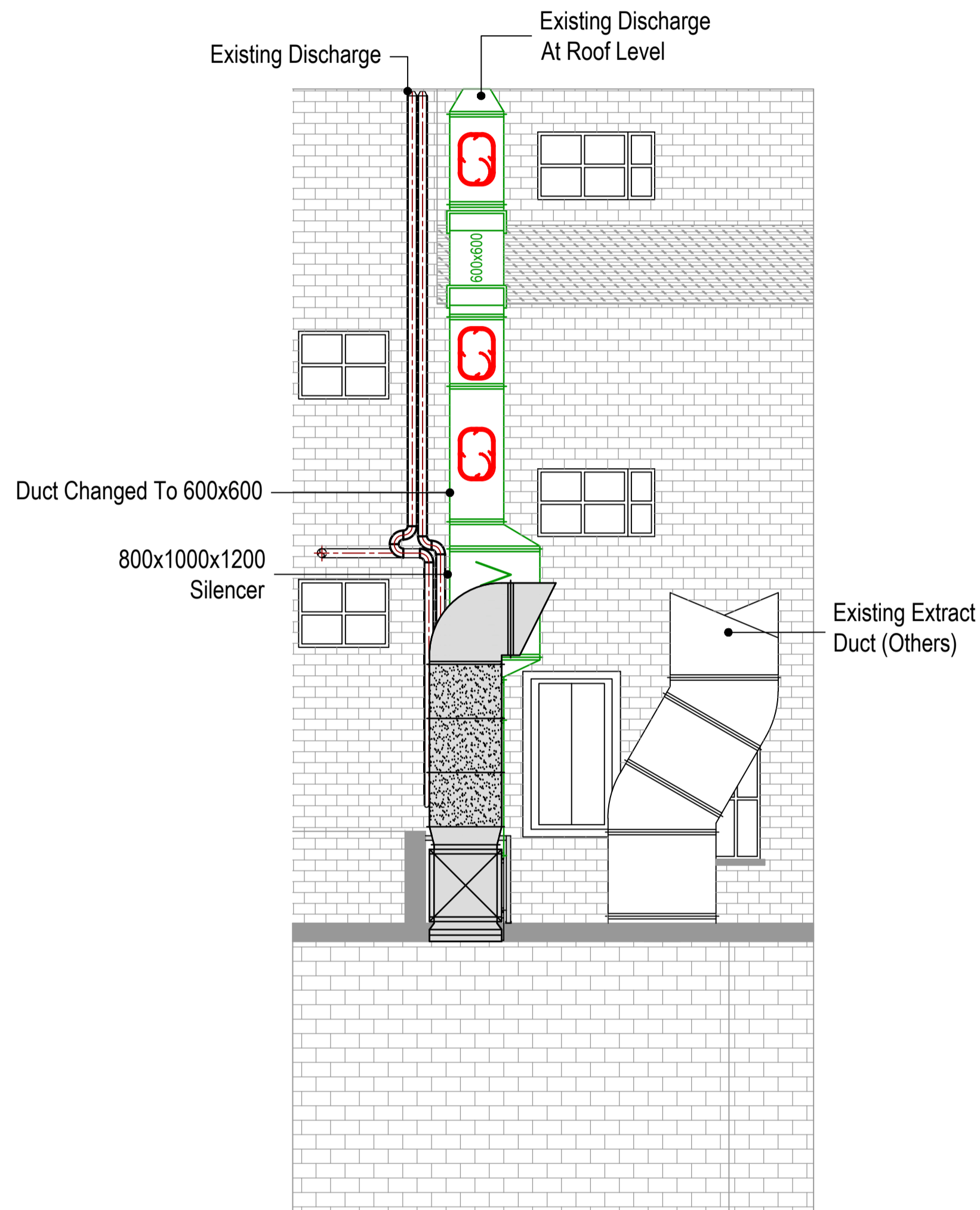


**B-B ELEVATION**

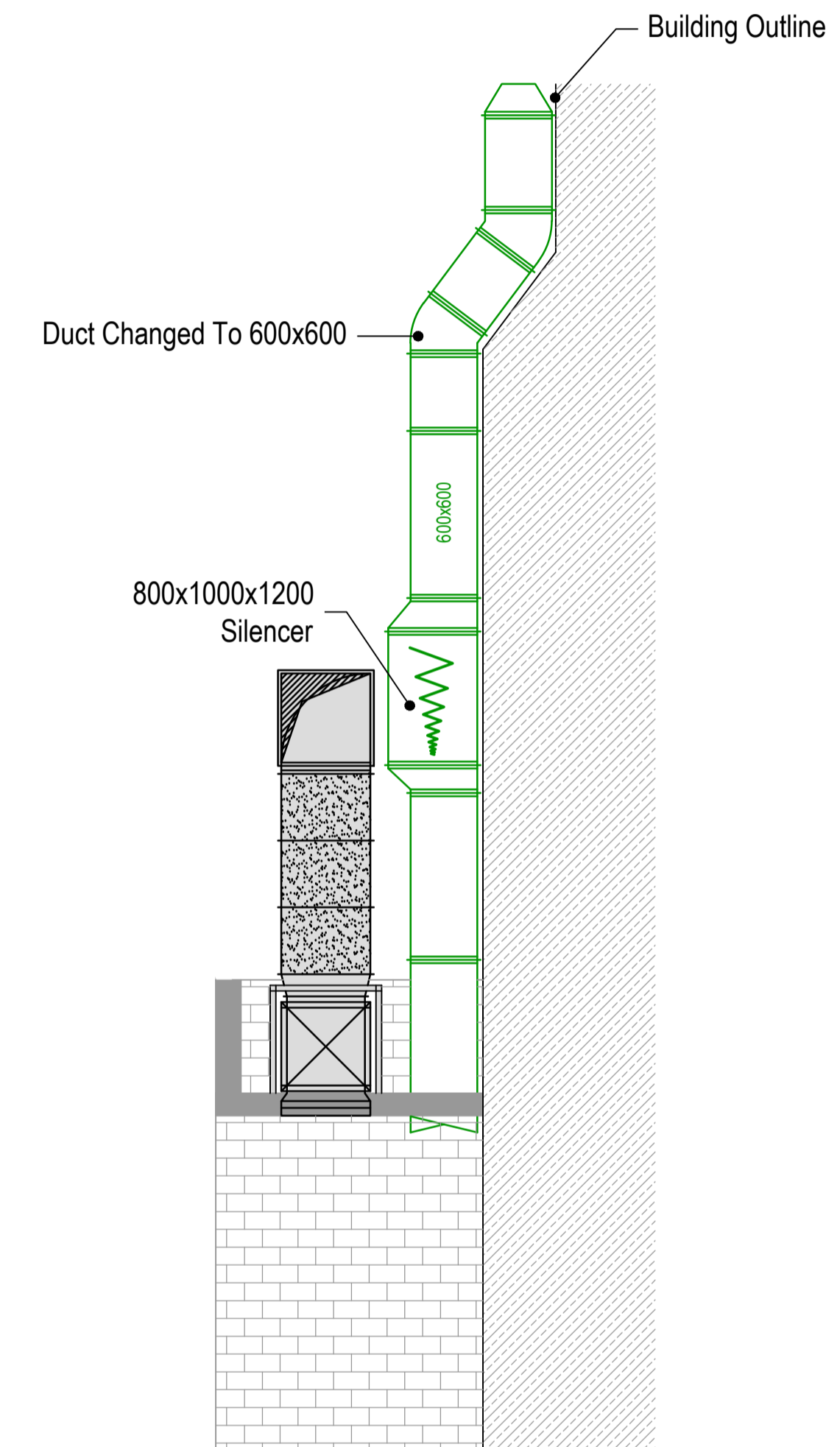
**PLANT AREA**



# PLANT AREA



## A-A ELEVATION



## B-B ELEVATION

- General notes:
- Positions of all equipment, ductwork and fittings are indicative only.
  - Contractors shall confirm the sequence of installation works to ensure safe access is maintained.
  - Attention is drawn to health & Safety issues. Liaise with the main contractor to ensure that installation works are programmed to minimise H&S risks and minimise co-ordination.
  - All dimensions / duct sizes are in millimetres unless otherwise stated.
  - This drawing was produced using CAD and should not be amended by hand.
  - All dimensions shown are for reference and should be checked on site prior to commencement of work.
- Specific notes:
- This drawing should be read in conjunction with all architectural, structural and drawings from other services (incl. mechanical, catering, electrical, sprinklers), along with contract documentation and specification for the works.
  - Ensure all method statements, sign offs and approvals are in place before proceeding with any work.
  - All work to be carried out in accordance with the current British Standards, B.S. codes of practice and building regulations.
  - The HVAC services works shall be carried out in full accordance with the client specification and in full accordance with any standard technical guide and specification.
  - Ductwork shall be installed in accordance with all current industry standard guidelines / regulations.
  - Generated ductwork to be manufactured to DW14.
  - Ductwork sized in accordance with all current industry standard guidelines / regulations. Duct dimensions shown on drawings are their internal dimensions (not including flanges and fittings).
  - Access doors required on kitchen extract duct every 1500mm for cleaning and before / after every change of direction & should be accessible at all locations via ceiling access panels or gridded ceiling etc. Access panels to be provided by main contractor in any solid ceilings where final requirements indicated by HVAC installation contractor.
  - Duct connections with fans and other equipment to be a manufactured canvas connector to prevent duct leakage noise and transmission of vibrations.
  - Volume control dampers shall be installed on all branch legs and diffuser / grille terminals to facilitate commissioning.
  - Supply and secondary fan coil unit ductwork to be fully insulated.
  - Fresh air inlets and exhausts locations are shown individually on these drawings. The exact positions shall be agreed with the client, architect and the main contractor and shall be shown accurately on the working / co-ordinated drawings.
  - Position of all grilles / air valves shown are in optimum positions for air flow. The grilles to be positioned as close as practicable to location shown and coordinated with other services and fabric constraints.
  - Fire dampers are to be shown on ductwork (excluding kitchen extract ducts) penetrating fire compartment divides and shall incorporate certified fire dampers to match the barrier rating together with access panels. Reference to be made to architect's fire strategy drawing to establish locations. Fire dampers are shown indicatively on these drawings.
  - All transfer grilles and ductwork where fire rated, shall match the fire rating of the wall in which it is installed.
  - Attenuation and anti-vibration measures shall be incorporated on all plant and ductwork supports in full accordance with acoustic consultant's specification.
  - Access required to all plant equipment for maintenance and cleaning.
  - Refer to catering specialist layout to determine confirmed canopy sizes and location.
  - Condensate drain from AC condensers to be cut to the nearest waste connection or to rooftop drain. Condensate drains from the FCU's to be run to the nearest drain (25mm), subject to manufacturer and their requirements. Both shall be the equivalent plastic or copper size.
  - Install all mechanical equipment in accordance with manufacturers guidelines.
  - Catering condensers are not CUL equipment. However, they are indicatively shown on CUL drawings to allow for provisioned space and access within the HVAC plant area.
  - Locations of all required floor, wall and roof openings shall be co-ordinated with all other trades involved.
  - No other loads (soffit services or man loading) shall be hung from ductwork supports.

METERAGE	
SUPPLY DUCTWORK	0.0m
WC EXTRACT DUCTWORK	0.0m
AC PIPEWORK	0.0m

Quantities are for this sheet only

No.	Date	Rev. By	Revision Description
A	16/06/20	JJ	Existing fan removed

Client: **ROSA'S THAI CAFE**

Project: Rosa's Thai Cafe  
Earlham Street  
London

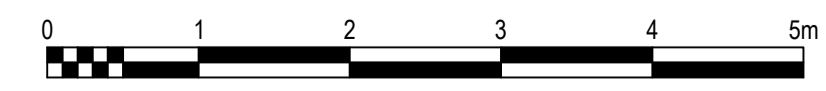
Drawing Title: **Proposed Ventilation Layout Plant Deck & Elevation**

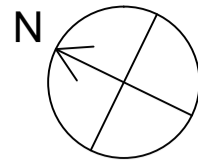
Drawing No.:	Rev.:
001-612-02	A

Scale: 1:50 @ A1 1:100 @ A3  
Drawn By: JJ Checked By: - Date: 07/04/20

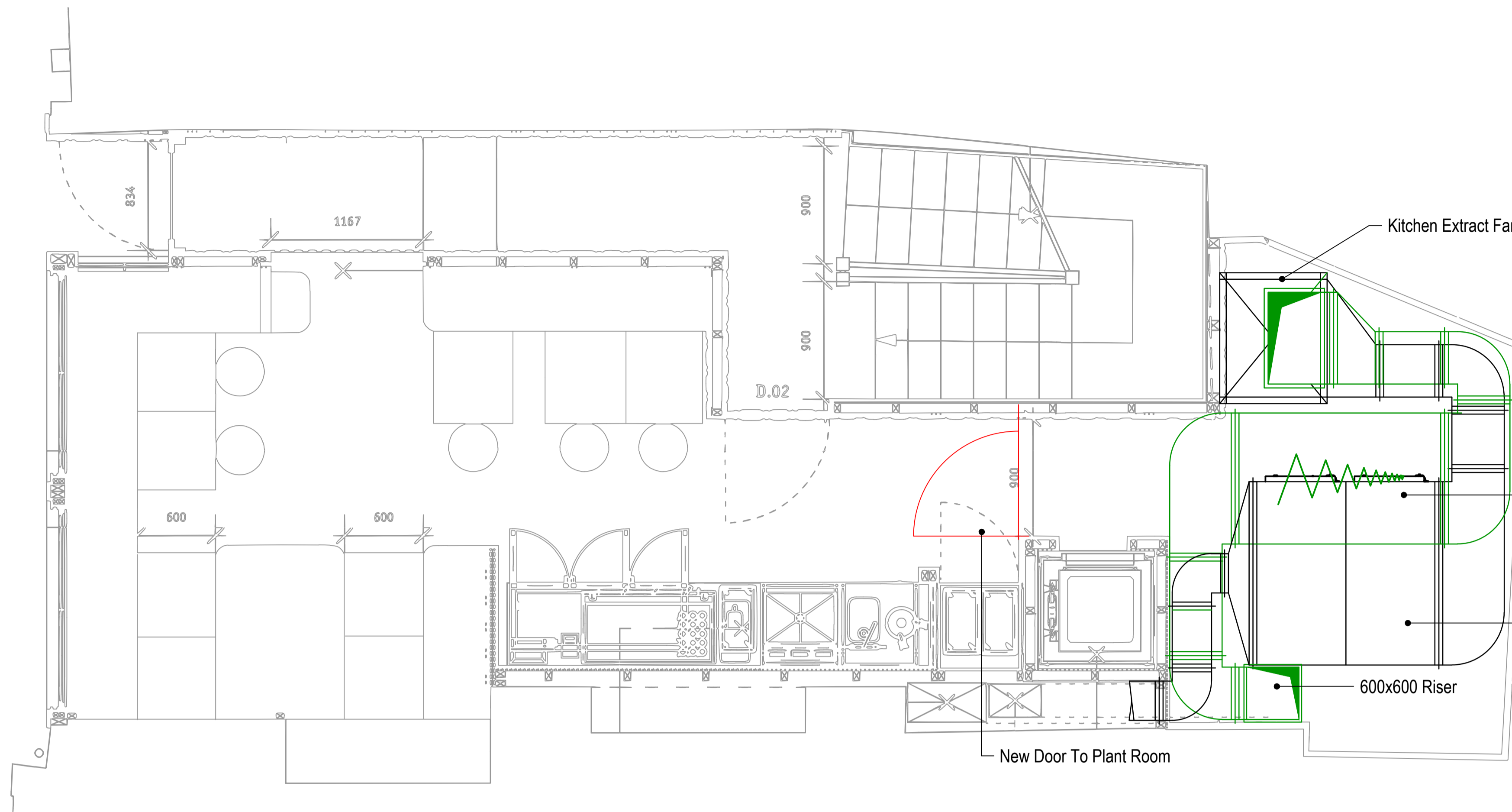
**chapman ventilation**  
15-20 Woodfield Road, Welwyn Garden City  
Hertfordshire AL7 1JQ  
Tel: 01707 372658 Fax: 01707 325001  
E-mail: info@chapmanventilation.co.uk  
Web: www.chapmanventilation.co.uk

Copyright of this drawing resides with Chapman Ventilation Limited ©



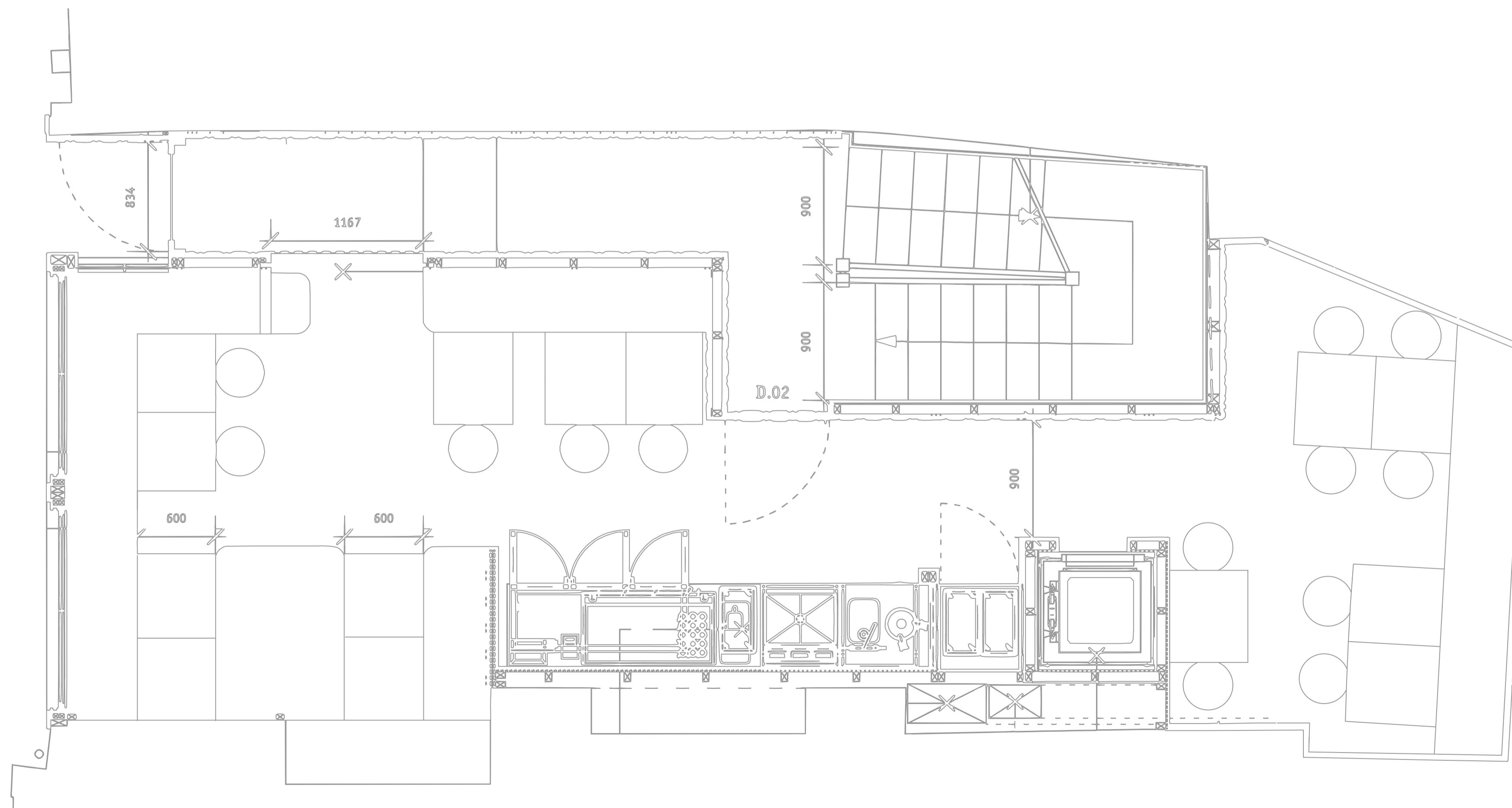


# PROPOSED GROUND FLOOR



High Level  
Low Level

# EXISTING GROUND FLOOR



**Note:**  
-All plant will be installed on anti-vibration mounts



- General notes:
- Positions of all equipment, ductwork and fittings are indicative only.
  - Contractors shall confirm the sequence of installation works to ensure safe access is maintained.
  - Attention is drawn to health & safety issues. Liaise with the main contractor to ensure that installation works are programmed to minimise H&S risks and minimise co-ordination.
  - All dimensions / duct sizes are in millimetres unless otherwise stated.
  - This drawing was produced using CAD and should not be amended by hand.
  - All dimensions shown are for reference and should be checked on site prior to commencement of work.
- Specific notes:
- This drawing should be read in conjunction with all architectural, structural and drawings from other services (incl. mechanical, catering, electrical, sprinklers), along with contract documentation and specifications for the works.
  - Ensure all method statements, sign offs and approvals are in place before proceeding with any work.
  - All work to be carried out in accordance with the current British Standards, B.S. codes of practice and building regulations.
  - The HVAC services works shall be carried out in full accordance with the client specification and together with any standard technical guide and specification.
  - Ductwork shall be installed in accordance with all current industry standard guidelines / regulations.
  - Generated ductwork to be manufactured to DW144.
  - Ductwork sized in accordance with all current industry standard guidelines / regulations. Duct dimensions shown on drawings are their internal dimensions (not including flanges and fittings).
  - Access doors required on kitchen extract duct every 1500mm for cleaning and before / after every change of direction & should be accessible at all locations via ceiling access panels or gridded ceiling etc. Access panels to be provided by main contractor in any solid ceilings where final requirements indicated by HVAC installation contractor.
  - Duct connections with fans and other equipment to be a manufactured canvas connection to prevent duct-borne noise and transmission of vibrations.
  - Volume control dampers shall be installed on all branch legs and diffuser / grille terminals to facilitate commissioning.
  - Supply and secondary fan coil unit ductwork to be fully insulated.
  - Fresh air intakes and exhausts locations are shown individually on these drawings. The exact positions shall be agreed with the client, architect and the main contractor and shall be shown accurately on the working / coordinated drawings.
  - Position of all grilles / air valves shown are in optimum positions for air flow. The grilles to be positioned as far as practicable to location shown and coordinated with other services and fabric constraints.
  - Fire dampers are to be shown on ductwork (excluding kitchen extract ducts) penetrating fire compartment divides and shall incorporate certified fire dampers to match the barrier rating together with access panels. Reference to be made to architect fire strategy drawing to establish locations. Fire dampers are shown indicatively on these drawings.
  - All transfer grilles and ductwork where fire rated, shall match the fire rating of the wall in which it is installed.
  - Attenuation and anti-vibration measures shall be incorporated on all plant and ductwork supports in full accordance with acoustic consultant's specification.
  - Access required to all plant equipment for maintenance and cleaning.
  - Refer to catering specialist layout to determine confirmed canopy sizes and location.
  - Condensate drain from AC condensers to be run to the nearest waste connection or rooftop drain. Condensate drains from the FCU's to be run to the nearest drain (25mm), subject to manufacturer and their requirements. Both shall be the equivalent plastic or copper size.
  - Install all mechanical equipment in accordance with manufacturers guidelines.
  - Catering condensers are not CVL equipment. However, they are indicatively shown on CVL drawings to allow for provisioned space and access within the HVAC plant area.
  - Locations of all required floor, wall and roof openings shall be co-ordinated with all other trades involved.
  - No other loads (soffers services or man loading) shall be hung from ductwork supports.

**METERAGE**

SUPPLY DUCTWORK	0.0m
WC EXTRACT DUCTWORK	0.0m
AC PIPEWORK	0.0m

*Quantities are for this sheet only*

A	16/07/20	JJ	Existing Ground Floor Layout Added
No.	Date	Rev. By	Revision Description

Client:  
**ROSA'S  
THAI CAFE**

Project:  
Rosa's Thai Cafe  
Earlham Street  
London

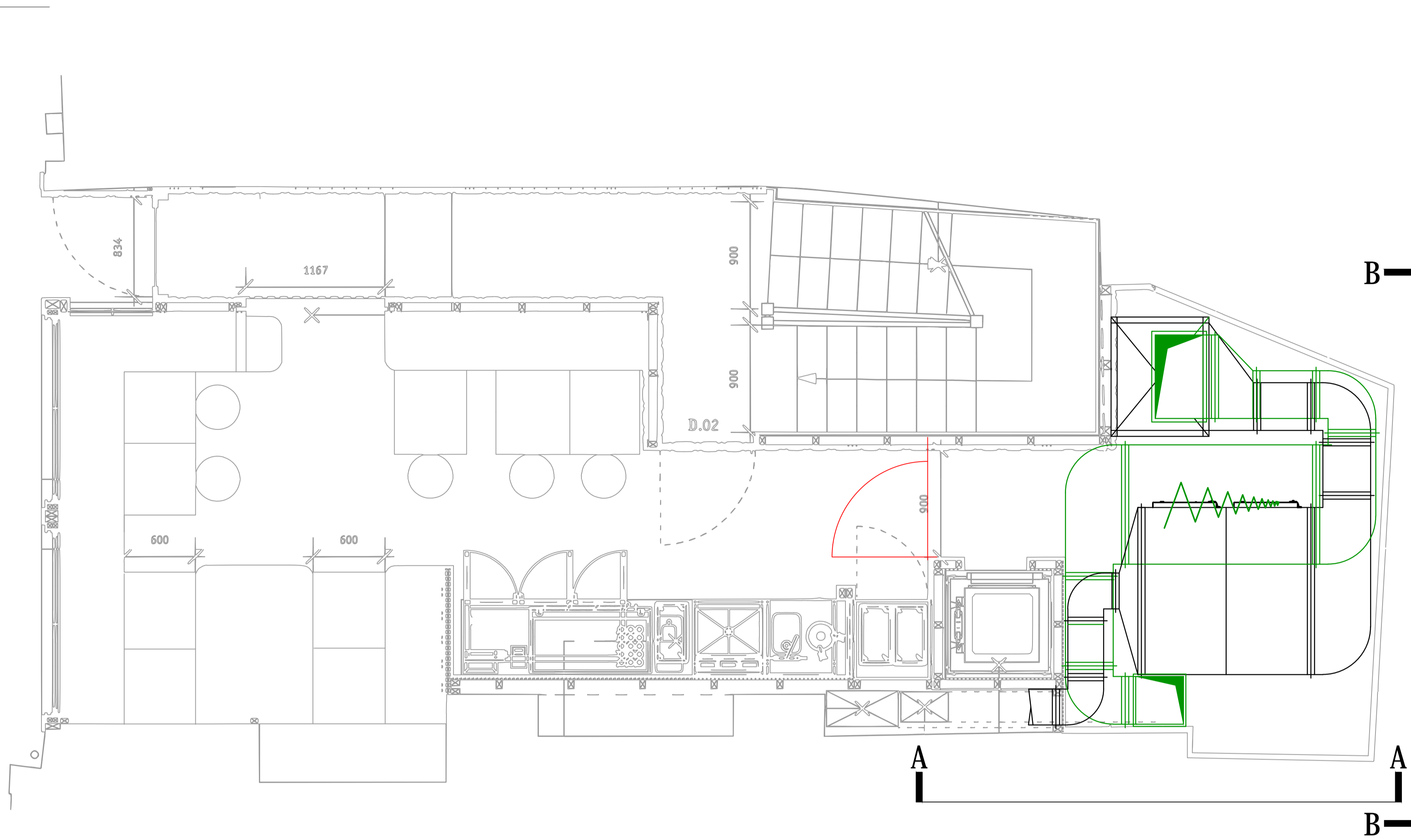
Drawing Title:  
**Ground Floor Ventilation  
Layout**

Drawing No.: 001-612-03  
Rev: A

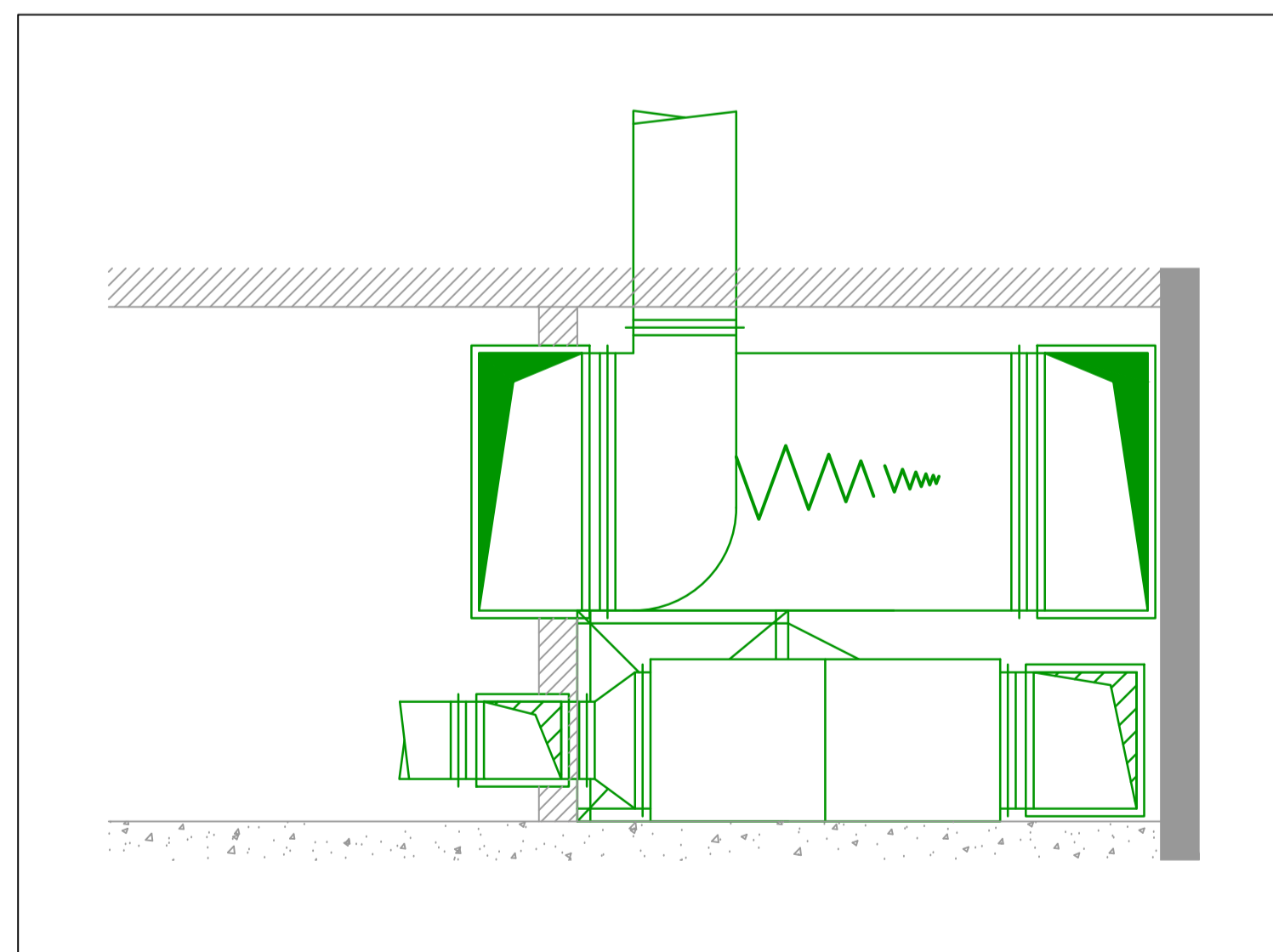
Scale: 1:25 @ A1 1:50 @ A3  
Drawn By: JJ Checked By: - Date: 10/06/20

**chapman  
ventilation**  
15-20 Woodfield Road, Welwyn Garden City  
Hertfordshire AL7 1JQ  
Tel: 01707 372658 Fax: 01707 325001  
E-mail: info@chapmanventilation.co.uk  
Web: www.chapmanventilation.co.uk

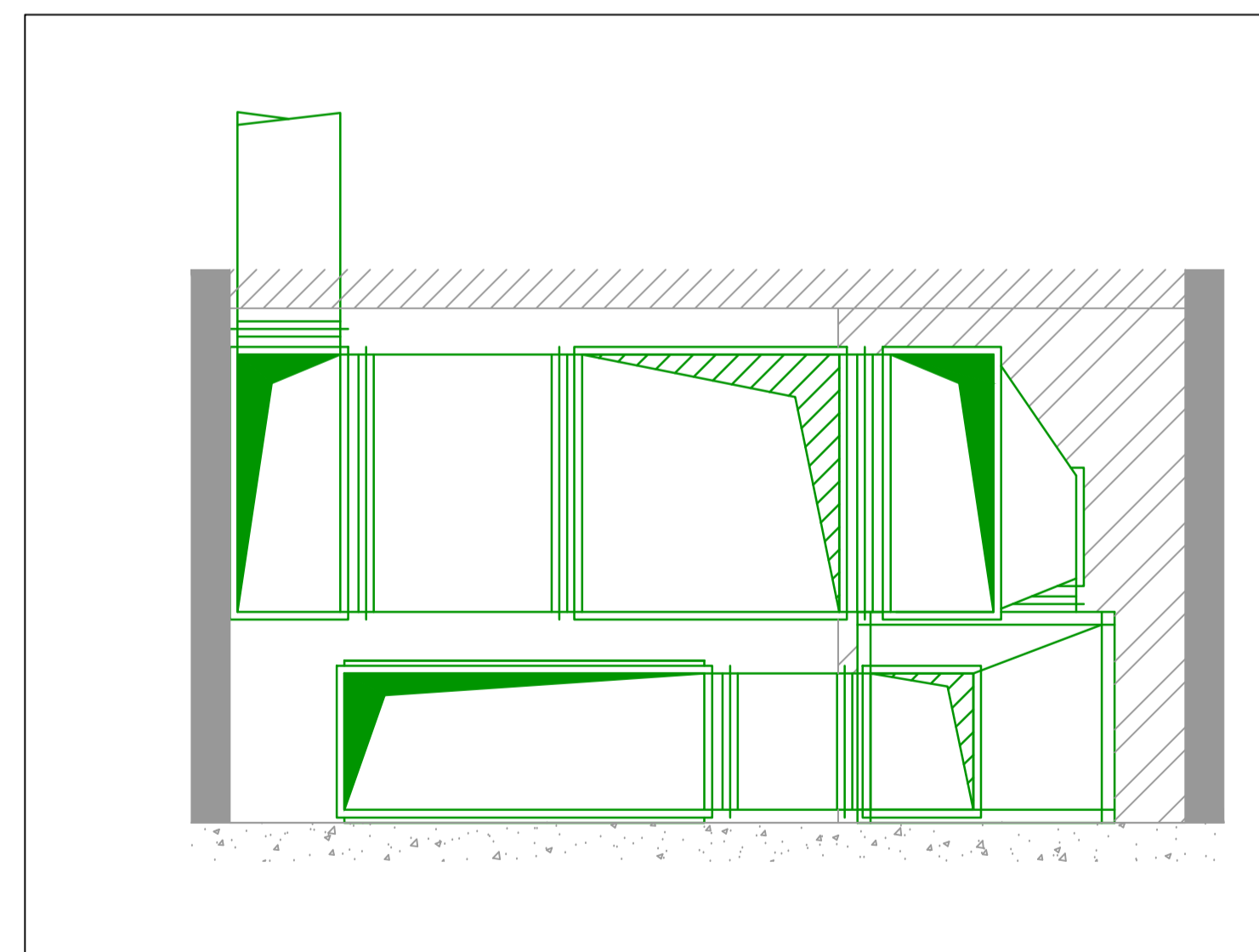
Copyright of this drawing resides with Chapman Ventilation Limited ©



# PROPOSED GROUND FLOOR

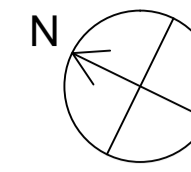


## A-A ELEVATION



## B-B ELEVATION

**Note:**  
-All plant will be installed on anti-vibration mounts



- General notes:
- Positions of all equipment, ductwork and fittings are indicative only.
  - Contractors shall confirm the sequence of installation works to ensure safe access is maintained.
  - Attention is drawn to health & safety issues. Liaise with the main contractor to ensure that installation works are programmed to minimise H&S risks and minimise co-ordination.
  - All dimensions / duct sizes are in millimetres unless otherwise stated.
  - This drawing was produced using CAD and should not be amended by hand.
  - All dimensions shown are for reference and should be checked on site prior to commencement of work.

- Specific notes:
- This drawing should be read in conjunction with all architectural, structural and drawings from other services (incl. mechanical, catering, electrical, sprinklers), along with contract documentation and specifications for the works.
  - Ensure all method statements, sign offs and approvals are in place before proceeding with any work.
  - All work to be carried out in accordance with the current British Standards, B.S. codes of practice and building regulations.
  - The HVAC services works shall be carried out in full accordance with the client specification and shall, together with any standard technical guide and specification.
  - Ductwork shall be installed in accordance with all current industry standard guidelines / regulations.
  - Generated ductwork to be manufactured to DW144.
  - Ductwork sized in accordance with all current industry standard guidelines / regulations. Duct dimensions shown on drawings are their internal dimensions (not including flanges and fittings).
  - Access doors required on kitchen extract duct every 1500mm for cleaning and before / after every change of direction & should be accessible at all locations via ceiling access panels or gridded ceiling etc. Access panels to be provided by main contractor in any solid ceilings where final requirements indicated by HVAC installation contractor.
  - Duct connections with fans and other equipment to be a manufactured canvas connection to prevent duct leakage noise and transmission of vibrations.
  - Volume control dampers shall be installed on all branch legs and diffuser / grille terminals to facilitate commissioning.
  - Supply and secondary fan coil unit ductwork to be fully insulated.
  - Fresh air inlets and exhaust locations are shown individually on these drawings. The exact positions shall be agreed with the client, architect and the main contractor and shall be shown accurately on the working / co-ordinated drawings.
  - Position of all grilles / air valves shown are in optimum positions for air flow. The grilles to be provided as those as practicable to location shown and coordinated with other services and fabric constraints.
  - Fire dampers are to be shown on ductwork (excluding kitchen extract ducts) penetrating fire compartment divides and shall incorporate certified fire dampers to match the burner rating together with access panels. Reference to be made to architect fire strategy drawing to establish locations. Fire dampers are shown indicatively on these drawings.
  - All transfer grilles and ductwork where fire rated, shall match the fire rating of the wall in which it is installed.
  - Attenuation and anti-vibration measures shall be incorporated on all plant and ductwork supports in full accordance with acoustic consultant's specification.
  - Access required to all plant equipment for maintenance and cleaning.
  - Refer to catering specialist layout to determine confirmed canopy sizes and location.
  - Condensate drain from AC condensers to be run to the nearest waste connection or to rooftop drain. Condensate drains from the FCU's to be run to the nearest drain (25mm), subject to manufacturer and their requirements. Both shall be the equivalent plastic or copper soils.
  - Install all mechanical equipment in accordance with manufacturers guidelines.
  - Catering condensers are not CUL equipment. However, they are indicatively shown on CUL drawings to allow for provisioned space and access within the HVAC plant area.
  - Locations of all required floor, wall and roof openings shall be co-ordinated with all other trades involved.
  - No other loads (soffers services or man loading) shall be hung from ductwork supports.

METERAGE	
SUPPLY DUCTWORK	0.0m
WC EXTRACT DUCTWORK	0.0m
AC PIPEWORK	0.0m

*Quantities are for this sheet only*

No.	Date	Rev. By	Revision Description

Client:  
**ROSA'S  
THAI CAFE**

Project:  
Rosa's Thai Cafe  
Earlham Street  
London

Drawing Title:  
**Ground Floor Ventilation  
Layout Elevations**

Drawing No.: 001-612-04  
Rev.: -  
Scale: 1:25 @ A1 1:50 @ A3  
Drawn By: JJ Checked By: - Date: 10/06/20

**chapman  
ventilation**  
15-20 Woodfield Road, Welwyn Garden City  
Hertfordshire AL7 1JQ  
Tel: 01707 372658 Fax: 01707 325001  
E-mail: info@chapmanventilation.co.uk  
Web: www.chapmanventilation.co.uk  
Copyright of this drawing resides with Chapman Ventilation Limited ©



# Technical data



Project name: rs Thai Earlham Date: 10.6.2020 13:31  
 Position/Item: rs Thai Earlham Project notes:  
 Customer reference: Position notes  
 Our reference:

Fan type	Plug fan CF3D	<b>Fan data</b>	
Fan code	<b>GMEB-1-04-063-7570</b>	Max fan speed	2330 r/min
Pcs	1	Airflow sensor k_factor	11.63
<b>Input values</b>		<b>Connection</b>	
Volume flow rate	3.000 m <sup>3</sup> /s	Connection: Free Inlet - Free outlet	
Input static pressure	1200 Pa	AHU dimensions Width	0 mm
		AHU dimensions Height	0 mm
<b>Output values</b>		<b>Gas properties</b>	
Volume flow rate	3.000 m <sup>3</sup> /s	Density	1.200 kg/m <sup>3</sup>
AHU connection loss	0 Pa	Temperature	20.0 °C
Other losses	0 Pa	Humidity	50.00 %
Fan static pressure	1200 Pa	Elevation	0 m
Fan speed	1752 r/min		
Total sound power level	88.7 dB(A)	<b>Weight</b>	
Shaft power	5.006 kW	Fan	107.0 kg
Power from mains Ped	5.815 kW	Motor	-- kg
Overall static efficiency	61.9 %	Accessories	7.4 kg
SFP	1.938 kW/m <sup>3</sup> /s	Total	114.4 kg

Fan data according to ISO 5801 and ISO 13347-2. Sound data below is calculated for selected connection method.  
 The octave sound power level near BPF can be higher than calculated below.

Lwoct (Hz)	63	125	250	500	1000	2000	4000	8000	Lwt (dB)	LwA (dBA)
Free outlet	80.5	88.2	85.4	83.8	83.7	82.7	78.0	71.1	92.7	88.7
Free inlet	77.6	87.4	84.1	77.7	76.4	76.5	71.1	64.0	90.1	82.9

<b>Motor code</b>	<b>APAL-4-00750-2-2-7</b>	<b>Speed controller</b>	
Motor type	FW motor IE2	VSD not included in FW delivery	
Nominal power	7.50 kW	Calculated operating Hz	60.0 Hz
Nominal speed	1460 r/min	Calculated operating voltage	8.7 V
Motor efficiency	-- %	Max speed with motor	1967 r/min
Efficiency class	IE2	Calculated max Hz	67.4 Hz
Motor current	15.00 A	Phase	3
IEC-size	132M	Voltage	400V
		Frequency	50 Hz
<b>Accessories</b>			
Airflow sensor with four measuring points		GMEZ-09-00-063-1-0	
Flexible discharge		GMEZ-21-00-063-1-0	
Anti-vibration mountings (rubber)		GMEZ-42-00-063-2-0	

<b>Data according to ErP-directive</b>		<b>ErP 2016 Compliant</b>	
Overall efficiency ned	64.3 %	Speed	1675 r/min
Efficiency grade N	70	Target efficiency grade N	62
Input power Ped	5.342 kW	Installation category	A
Volume flow rate	3.626 m <sup>3</sup> /s	Efficiency category	static
Pressure	948 Pa	VSD	Yes
TÜV classification	NC	DIN 24166 classification	LK 2

# Fan chart



Project name  
Position/Item  
Customer reference  
Our reference

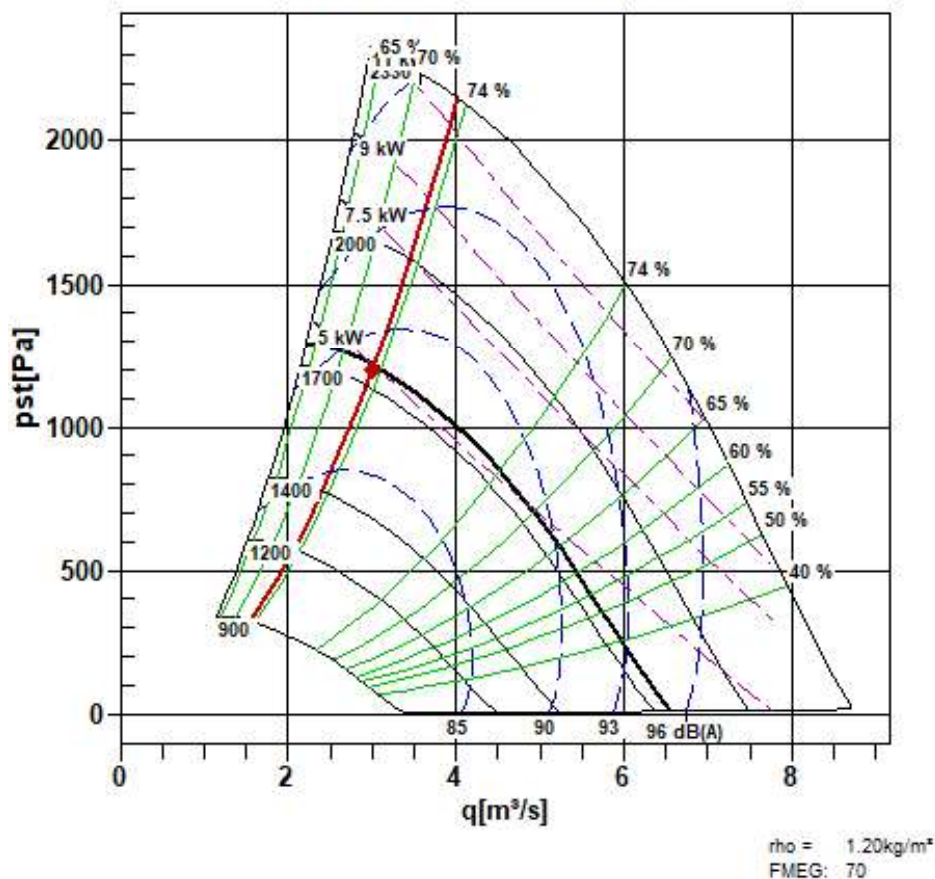
Rovers Thai Earlham

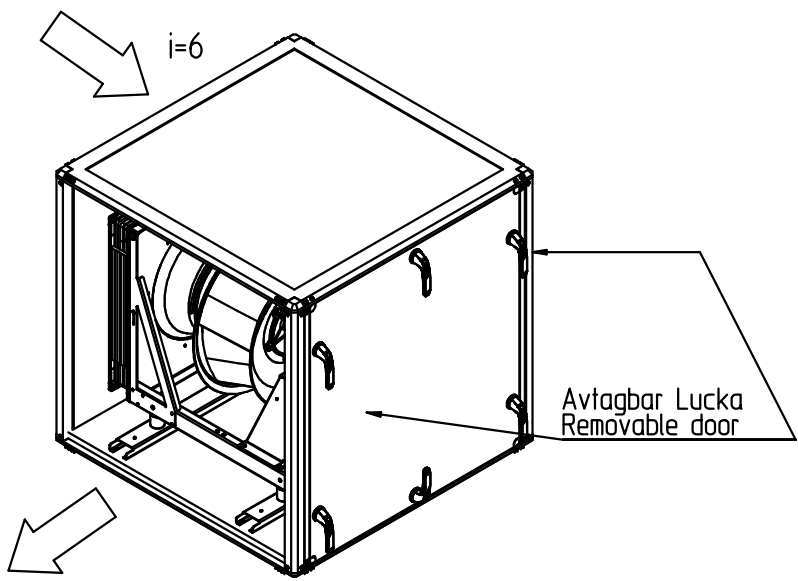
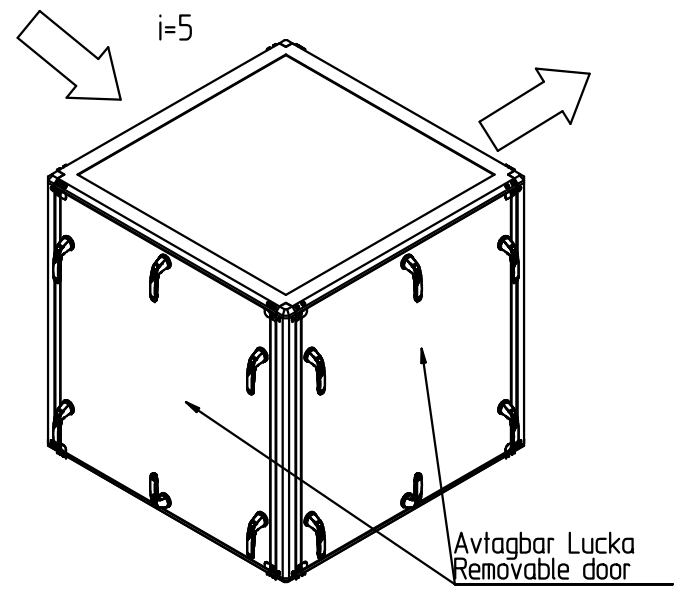
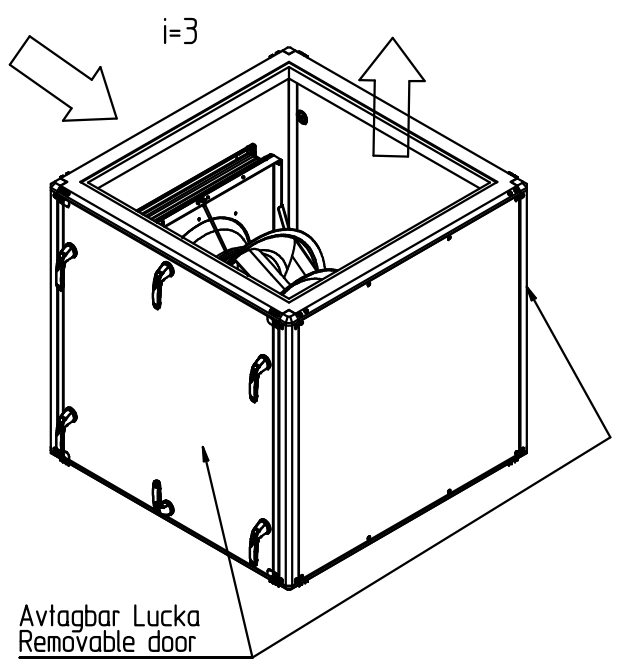
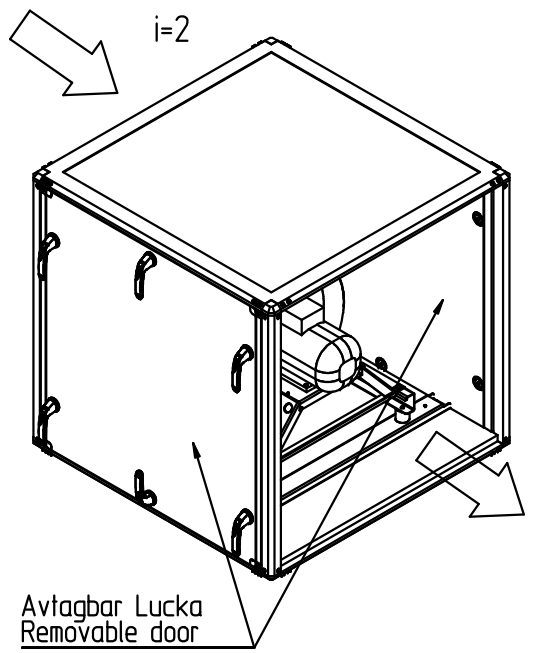
Date  
Project notes  
Position notes

10.6.2020 13:31

<b>Fan</b>	<b>GMEB-1-04-063-7570</b>	Connection	
Fan type	Plug fan CF3D	Connection: Free Inlet - Free outlet	
Pcs	1	AHU dimensions Width	0 mm
		AHU dimensions Height	0 mm
<b>Output values</b>			
Volume flow rate	3.000 m <sup>3</sup> /s	SFP	1.938 kW/m <sup>3</sup> /s
AHU connection loss	0 Pa	Fan chart density	1.200 kg/m <sup>3</sup>
Other losses	0 Pa	Operating density	1.200 kg/m <sup>3</sup>
Fan static pressure	1200 Pa		
Fan speed	1752 r/min		
Total sound power level	88.7 dB(A)		
Power from mains Ped	5.815 kW		
Overall static efficiency	61.9%		

## GMEB-1-04-063-7570



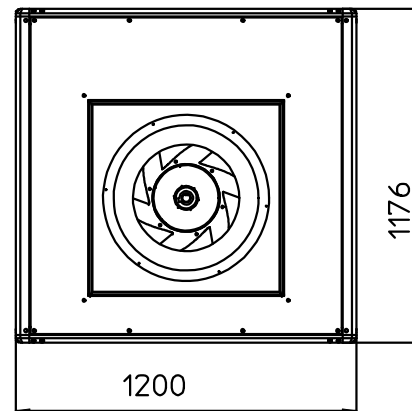
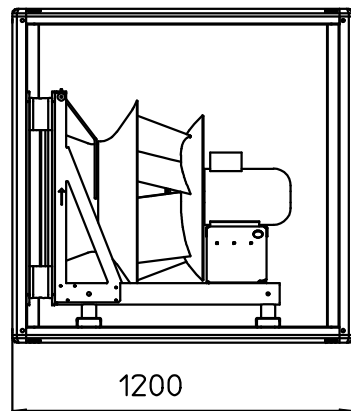


Generell tolerans /  
General tolerance:  
ISO 2768-mK

A		2017-02-07	HJ1
Issue	Modification	Date	Sign.

Qty.	Qty.	Item no.	Internal article no.	Description		Check	Appr	Scale	Fläkt Woods	
Variant	Variant	Dept.	Date	Drawn by		TA	PB	1:20		
	21-		2017-02-07	H. Jonsson						
		EQGA h=4						Fläkt Woods AB Jönköping		
		Fan section						Ritning nr Drawing no J8013627		Issue A

GMEB-1-14-063-5570 / GMEB-1-14-063-5580  
 GMEB-1-14-063-7570 / GMEB-1-14-063-7580



This drawing and its contents is the property of the company and may not be copied or otherwise disclosed to any third party without our consent. Conventions will be preserved.



A		2017-02-14	J.P.
Issue	Modification	Date	Sign.

Qty.	Qty.	Item no.	Internal article no.		Description		Check	Appr	Scale	FlaktWoods	
Variant	Variant	Dept.	Date	Drawn by			AG	PB	1:20		
	21-	PUA	2017-02-14	J. Prodromou							
		EQGA h=4							Fläkt Woods AB Jönköping		
		Fan section							Ritning nr Drawing no J8013652		Issue A