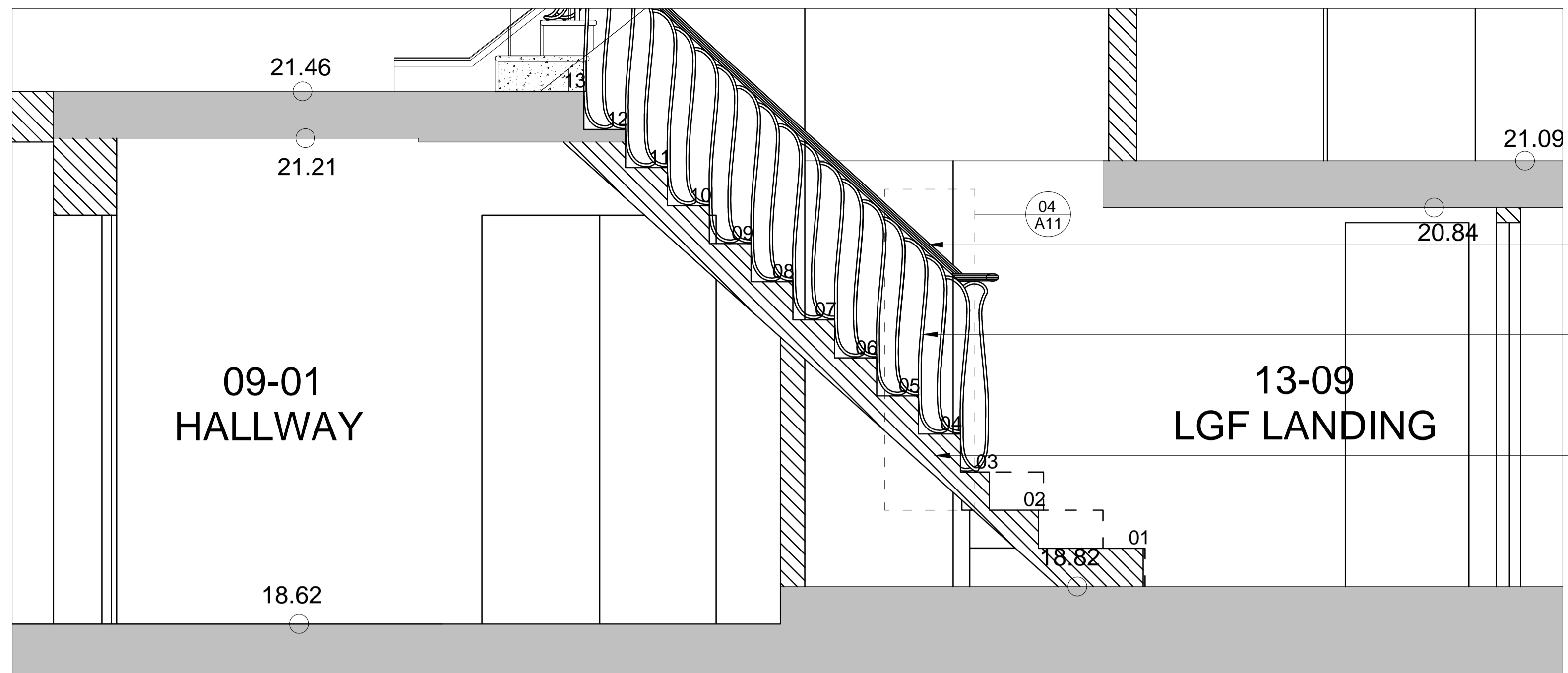
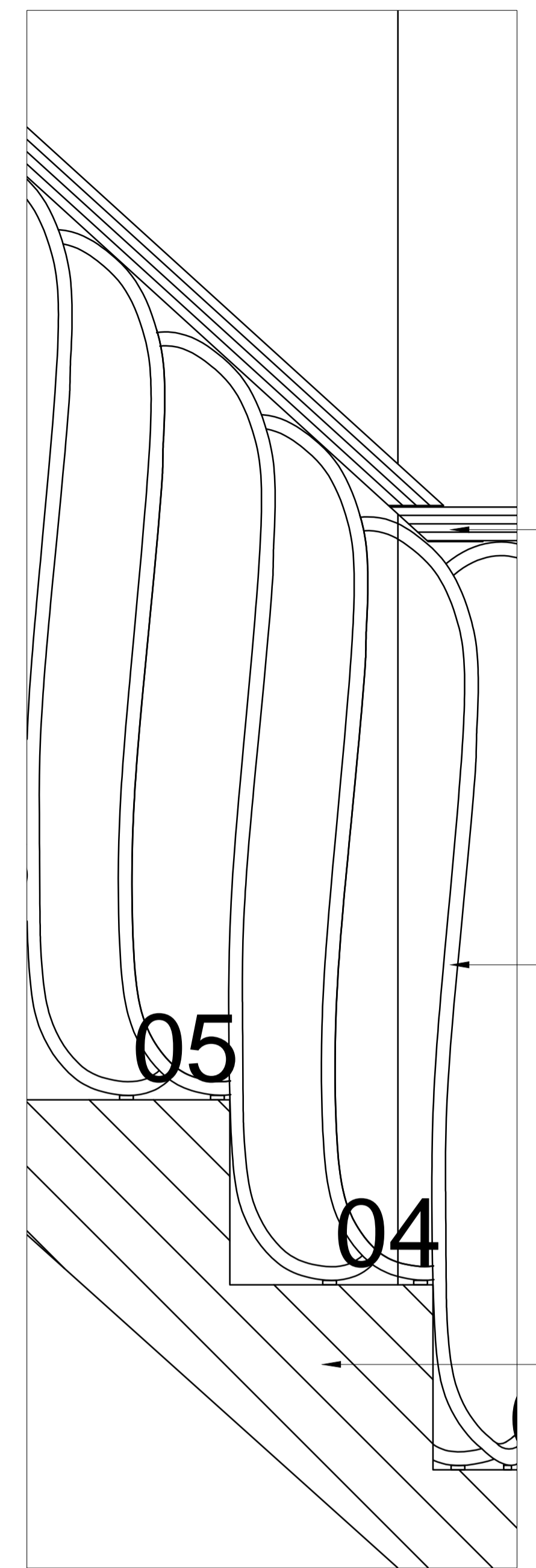


DO NOT SCALE FROM THIS DRAWING
 DRAWING TO BE READ IN CONJUNCTION WITH ALL OTHER ARCHITECTS AND ENGINEER'S CONTRACT DRAWING & SPECIFICATIONS. ANY DISCREPANCIES MUST BE BROUGHT TO THE ATTENTION OF THE ARCHITECT IMMEDIATELY.
 THE CONTRACTOR MUST VERIFY ALL DIMENSIONS BY SITE MEASUREMENT BEFORE ORDERING MATERIALS OR MANUFACTURING COMPONENTS.
 SUBSTITUTE MATERIALS & PRODUCTS TO THOSE NAMED WILL BE ACCEPTABLE IF PROVEN TO BE OF EQUAL OR HIGHER PERFORMANCE AND NOT IN CONFLICT WITH OTHER ELEMENTS.



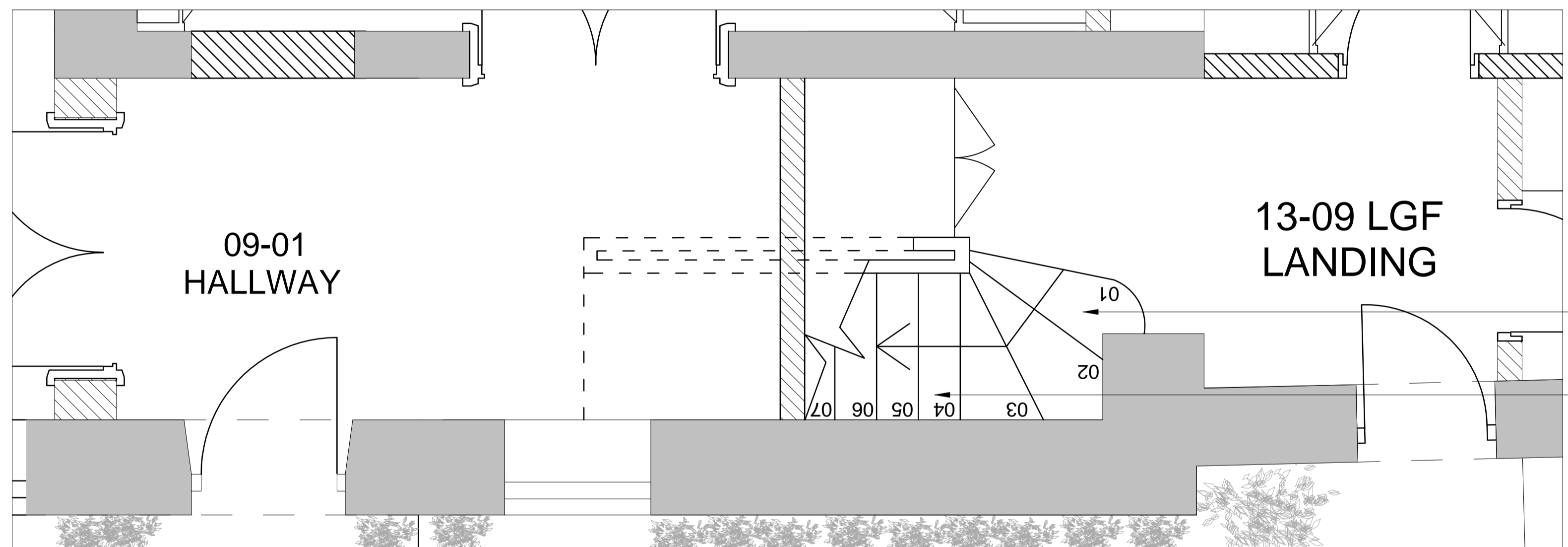
Existing timber handrail from LGF staircase reinstated
 New metal spindles. Soane design in keeping with the period of the property.
 New stone treads

01 PROPOSED LGF STAIR - SECTION
 A11 1:40@A3,1:20@A1



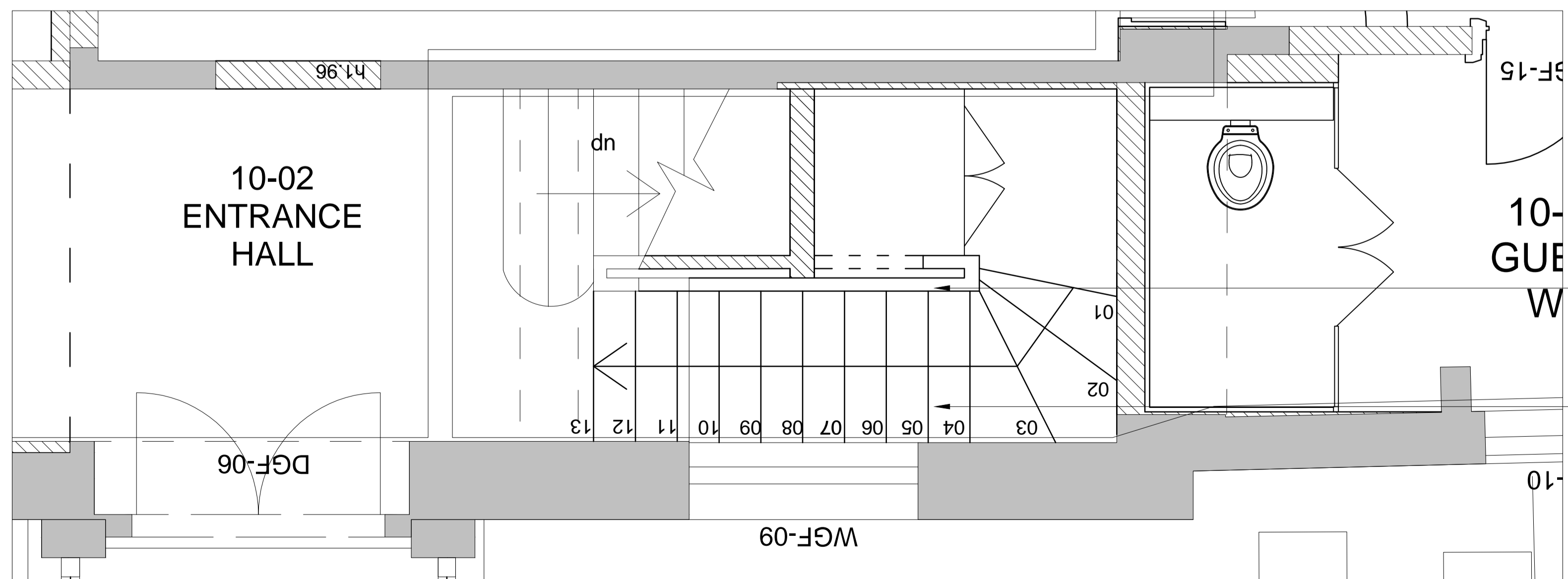
Existing timber handrail from LGF staircase reinstated & adapted.
 New metal balustrade. Soane referenced design in keeping with the period of the property.
 New timber substructure and support slab to SE details.

04 PROPOSED LGF STAIR - DETAIL
 A11 1:10@A3,1:5@A1



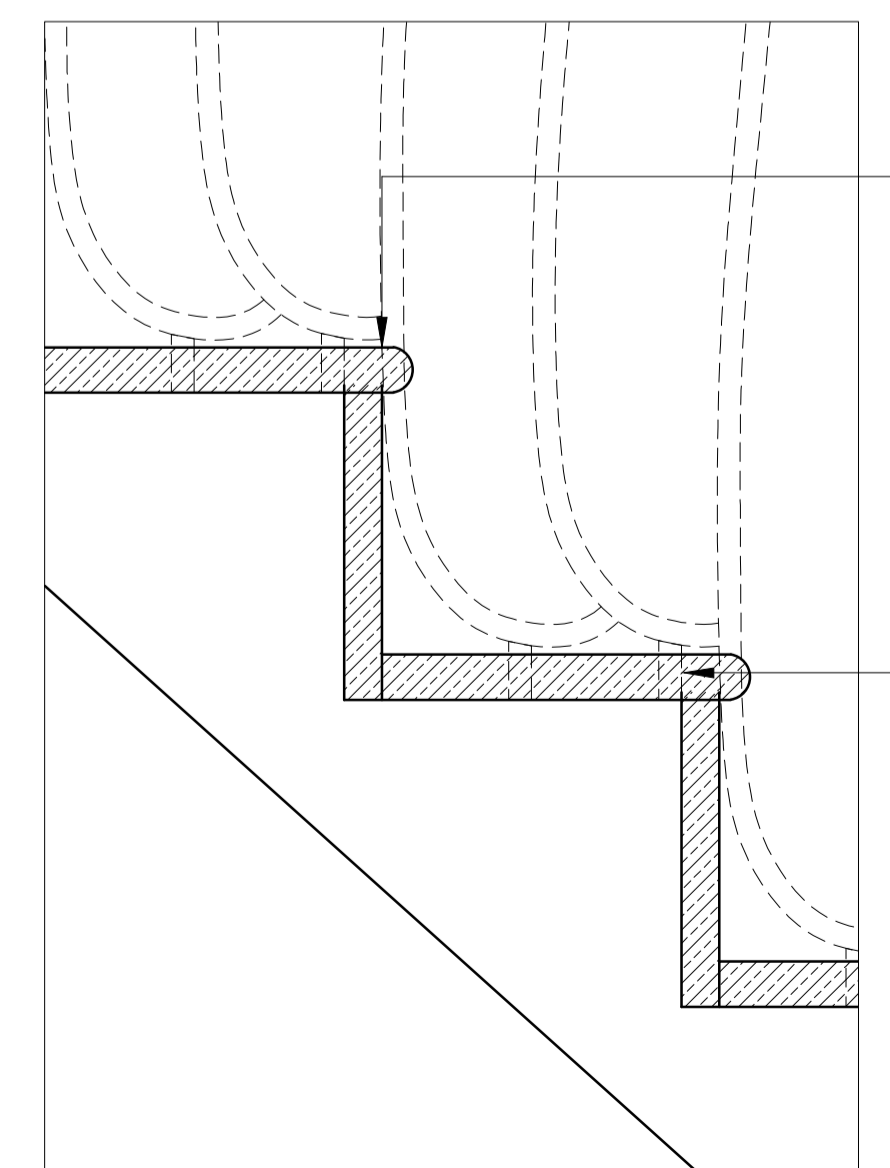
New final step to wrap around existing wall
 New stone treads

02 PROPOSED LGF STAIR - LGF PLAN
 A11 1:40@A3,1:20@A1



Existing timber handrail from LGF staircase reinstated. New spindles to match the rest of the staircase.
 New stone treads

03 PROPOSED LGF STAIR - GF PLAN
 A11 1:40@A3,1:20@A1



New stone clad tread with bullnose
 New metal balustrade fixing through stone thread

05 PROPOSED LGF STAIR - DETAIL
 A11 1:10@A3,1:5@A1

REV DATE DESCRIPTION
 A 26.11.19 For condition discharge

FOR PLANNING

JOB TITLE
 Keats Grove
 Hampstead

DRAWING TITLE
 Proposed
 LGF Stair

JOB No 546 DWG No A11 REV A
 DRAWN BY RFB SCALE (AT A1) 1:20 DATE Mar16

RICHARD GRIFFITHS ARCHITECTS
 5 Maidstone Mews, 72-76 Borough High Street, London SE1 1GN
 T +44(0)20 7357 8788 | F +44(0)20 7403 7887
 E admin@rgarchitects.com | www.rgarchitects.com