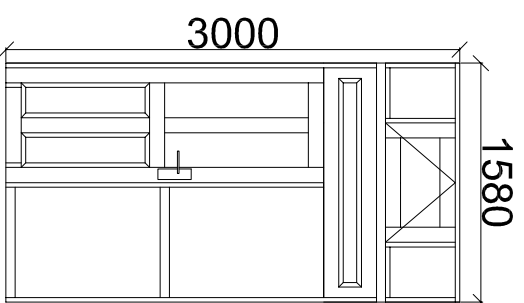
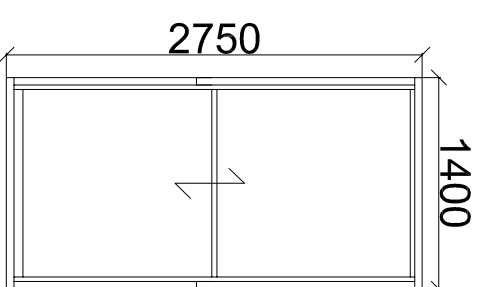
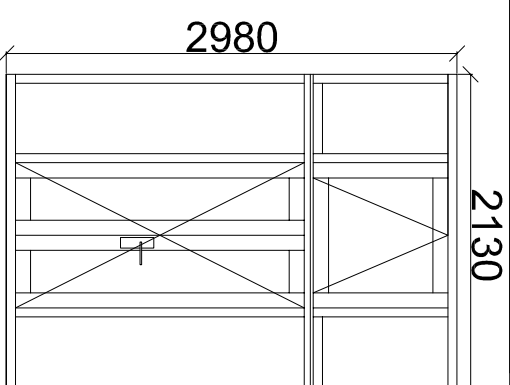
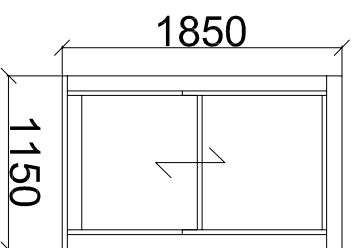
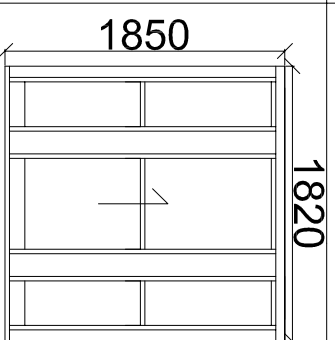
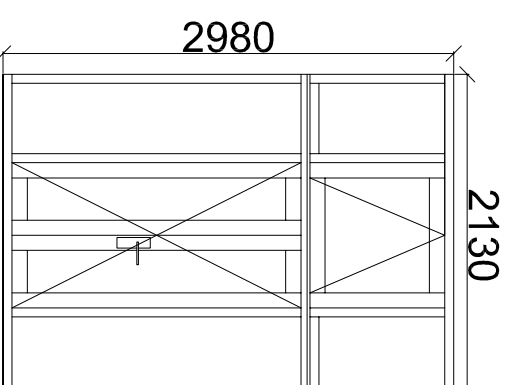
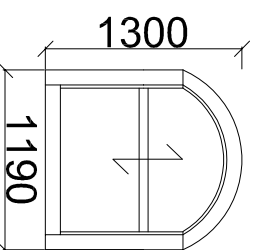
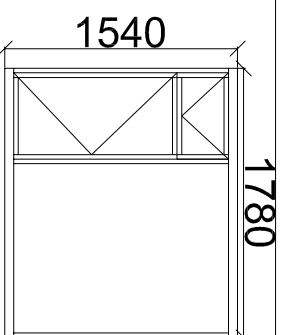
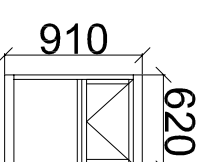
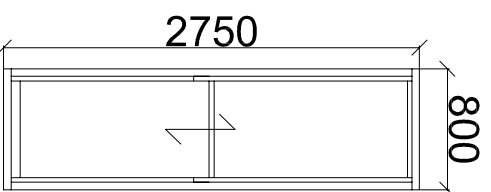
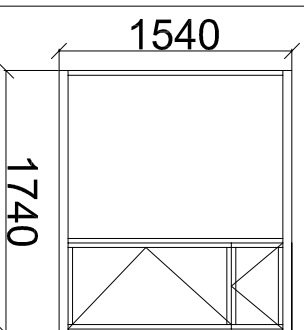
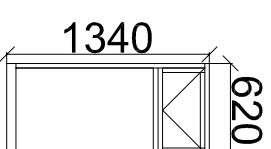


DA**WD****DB****WA****WE****DC****WB****WF****WH****WC****WG****WI**

The contractor is responsible to ensure that no products are to be affixed that do not comply with relevant British and/or European Standards and/or Codes of Practice, OSHH Regulations, Construction Regulations, or which are known or suspected at the time of product selection and/or completion to be substandard in terms of health and safety or to the durability of the work or not in accordance with good building practice.

The contractor is responsible for checking dimensions, tolerances, levels and references. This drawing is to be used for the design and construction of the window. Any discrepancy to be notified to Baily Garner LLP and rectified before proceeding with the work on site or shop drawings.

When an item is covered by drawings to different scales, the larger scale drawing is to be worked to.

Do not scale drawings. Figured dimensions to be worked to in all cases.

This drawing and the copyright and patents therein are the property of Baily Garner LLP and may not be used or reproduced without consent or attribution.

A3

REVISION

D C

DATE



146-148 ELTHAM HILL
LONDON SE9 3DT
T: 020 8294 1000
F: 020 8294 1320
e: general@bailygarner.co.uk

CLIENT

London Borough Of Camden

ADDRESS

20 Accol Road
London,
NW6 3AG

PROJECT

Proposed Window Schedule A

TITLE

Window Replacement

PURPOSE OF ISSUE

PLANNING

SCALE 1:50 DATE 12/12/2019
D C MW

JOB NO. 30917 DRAWING NO. P12 REVISION -

