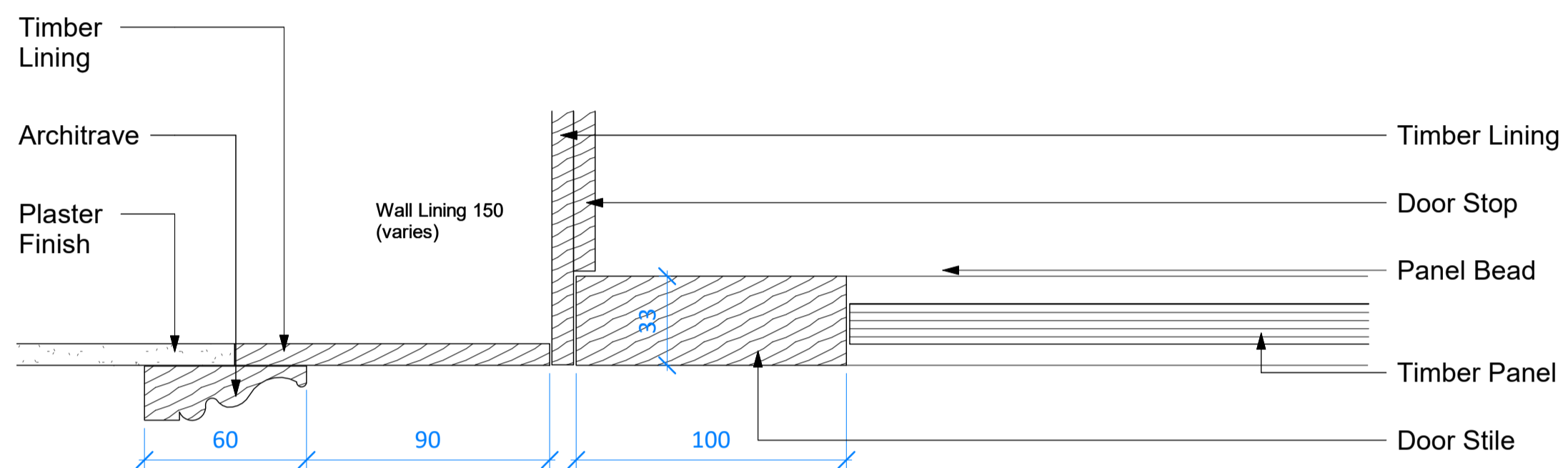
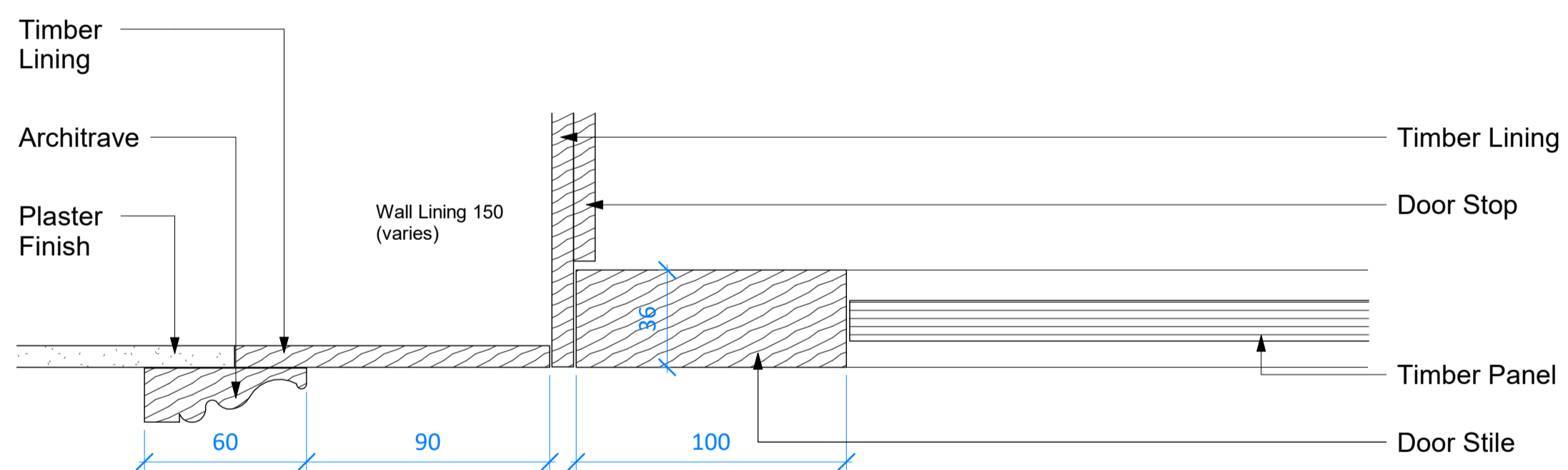


00, 01, 02
Ground, First and Second Floors



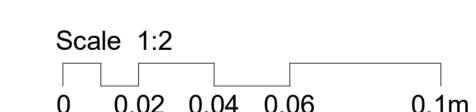
03
3rd Floor



04
4th Floor

Door Linings (Existing)
Scale 1 : 2

- | No. | Note |
|-----|--|
| 1 | All dimensions to be verified on site by GENERAL CONTRACTOR prior to any work, setting out or shop drawings being prepared. |
| 2 | The contractor not to scale the drawings. Work to figured dimensions only. |
| 3 | © copyright SAUNDERS BOSTON LIMITED. All rights reserved. This drawing remains the property of SAUNDERS BOSTON LIMITED at all times and may not be reproduced or copied in whole or in part without their prior written consent. |
| 4 | This drawing and related specifications are for use only in the stated location. |
| 5 | This drawing is to be read in conjunction with all other Consultants drawings and specifications. |
| 6 | Drainage has not been surveyed and any/all pipe locations and below ground drainage runs are indicative. |
| 7 | It is assumed that all works will be carried out by a competent contractor who will be working, where appropriate, to an approved method statement. |



No.	Revision	Date	Chk.	Auth.
P3	Updated Planning Issue	03/09/20	SBA	RJB
P2	Planning Issue	27/08/20	SBA	RJB
P1	Stage 4	21/08/20	SBA	AA
No.	Revision	Date	Chk.	Auth.

<p>Saunders Boston Architects</p> <p>Eastern Gate House, 119 Newmarket Road, Cambridge CB5 8HA T: 01223 367733 office@saundersboston.co.uk</p> <p>The Generator, The Gallery, King's Wharf The Quay, Exeter EX2 4AN T: 01392 349621 www.saundersboston.co.uk</p>		<p>University College London</p> <p>Job 14 Endsleigh Street</p> <p>Drawing Existing Door Details</p>	
<p>STAGE 4</p>		<p>Scale 1 : 2 @A1</p>	<p>Revision P3</p>
<p>SBA Project Code 1802</p>	<p>Drawn SBA</p> <p>Checked AA</p>	<p>Date 21/08/20</p> <p>Suitability Code</p>	<p>project 1802</p> <p>originator zone level type role number -SBA-XX-XX-DR-A-750</p>