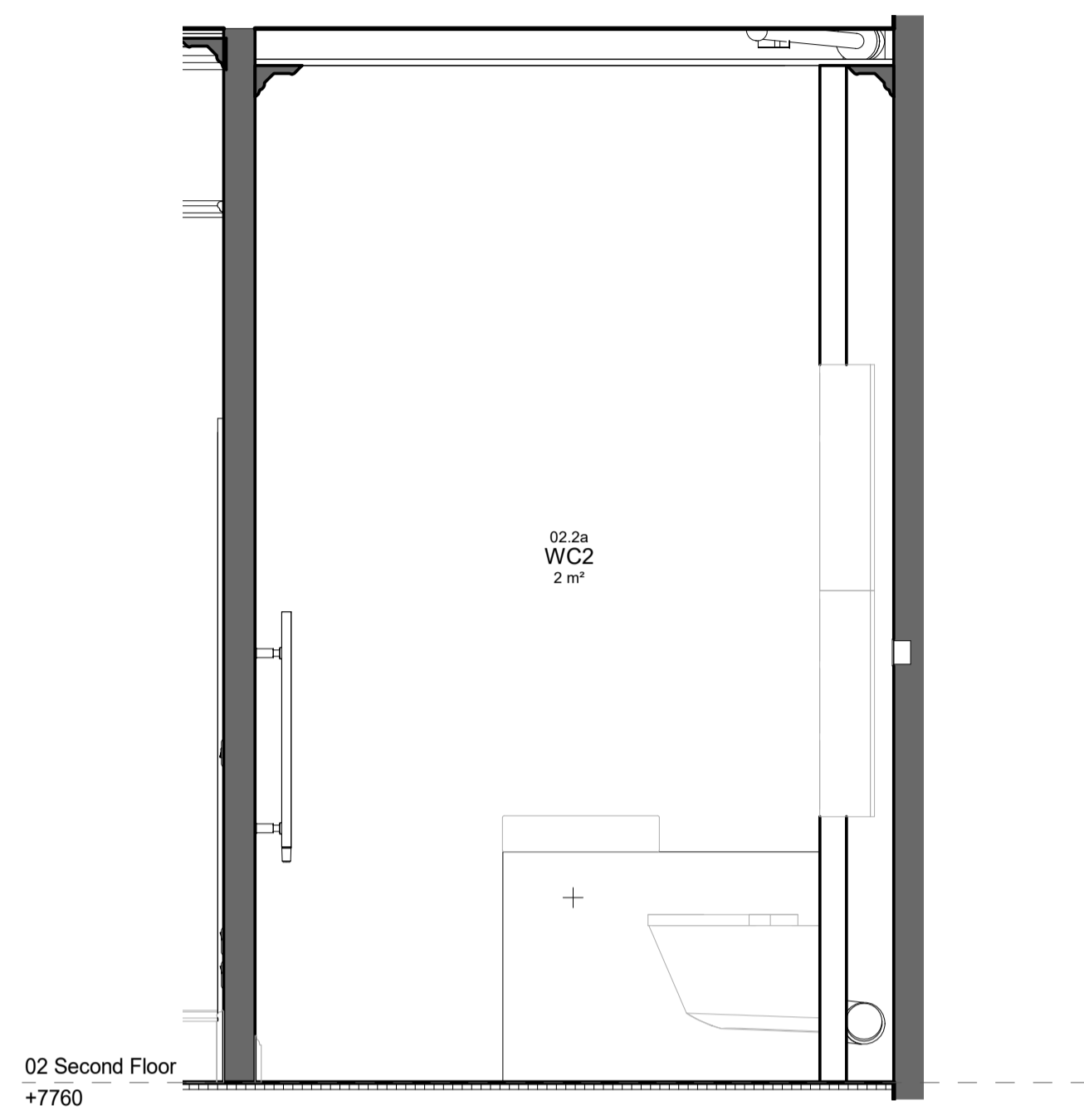


- No. Note
- All dimensions to be verified on site by GENERAL CONTRACTOR prior to any work, setting out or shop drawings being prepared.
  - The contractor not to scale the drawings. Work to figured dimensions only.
  - © copyright SAUNDERS BOSTON LIMITED. All rights reserved. This drawing remains the property of SAUNDERS BOSTON LIMITED at all times and may not be reproduced or copied in whole or in part without their written consent.
  - This drawing and related specifications are for use only in the stated location.
  - This drawing is to be read in conjunction with all other Consultants drawings and specifications.
  - Drainage has not been surveyed and any/all pipe locations and below ground drainage runs are indicative.
  - It is assumed that all works will be carried out by a competent contractor who will be working, where appropriate, to an approved method statement.

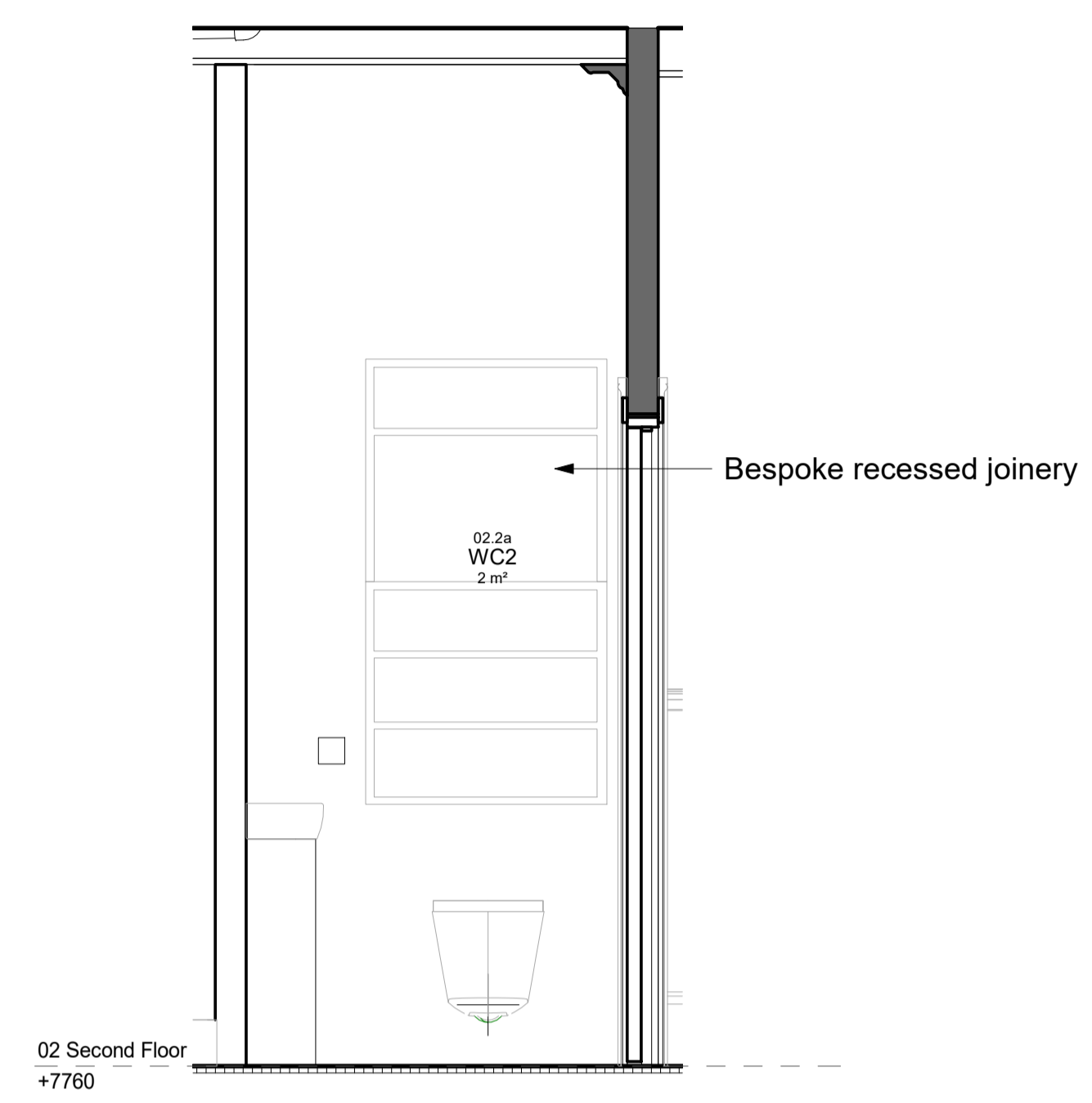
Notes

Refer to finishes dwgs  
 1802-XX-ZZ-DR-A-030,  
 1802-XX-ZZ-DR-A-031,  
 1802-XX-ZZ-DR-A-035,  
 1802-XX-ZZ-DR-A-036

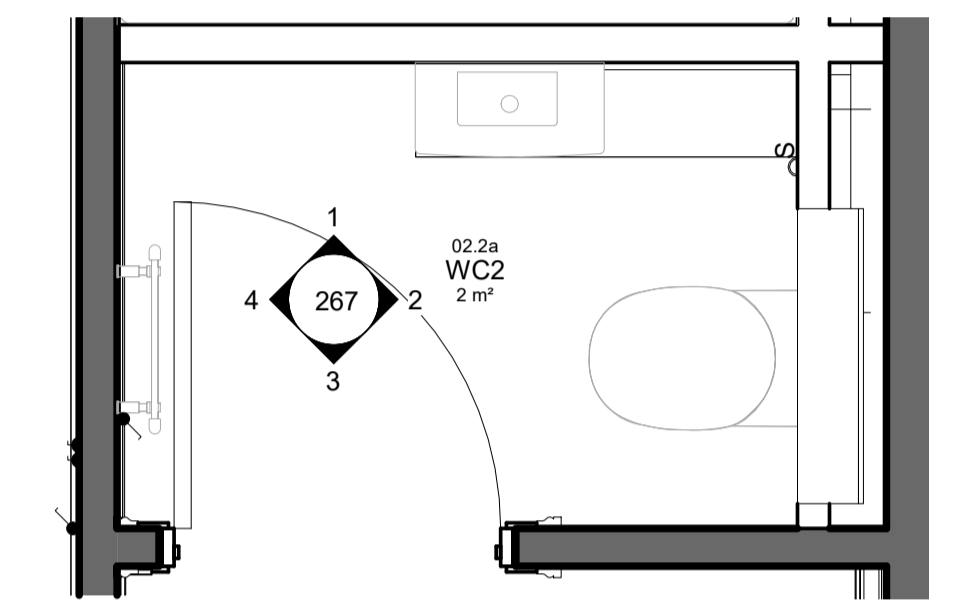
Refer to Joinery dwgs  
 1802-XX-ZZ-DR-A-600 to 616



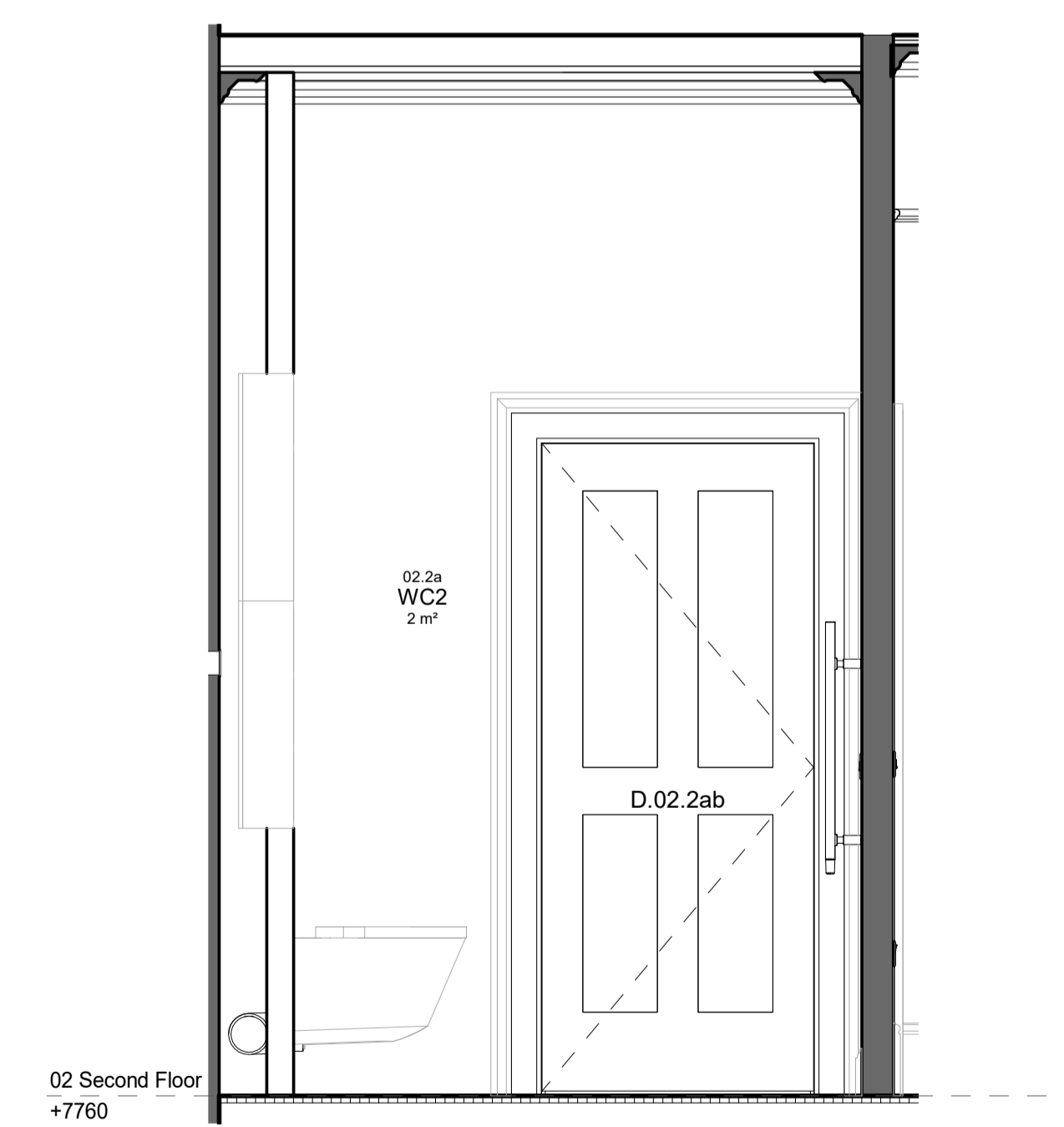
**1 02.2a WC2 - Proposed Room Elev. A**  
 Scale 1 : 20



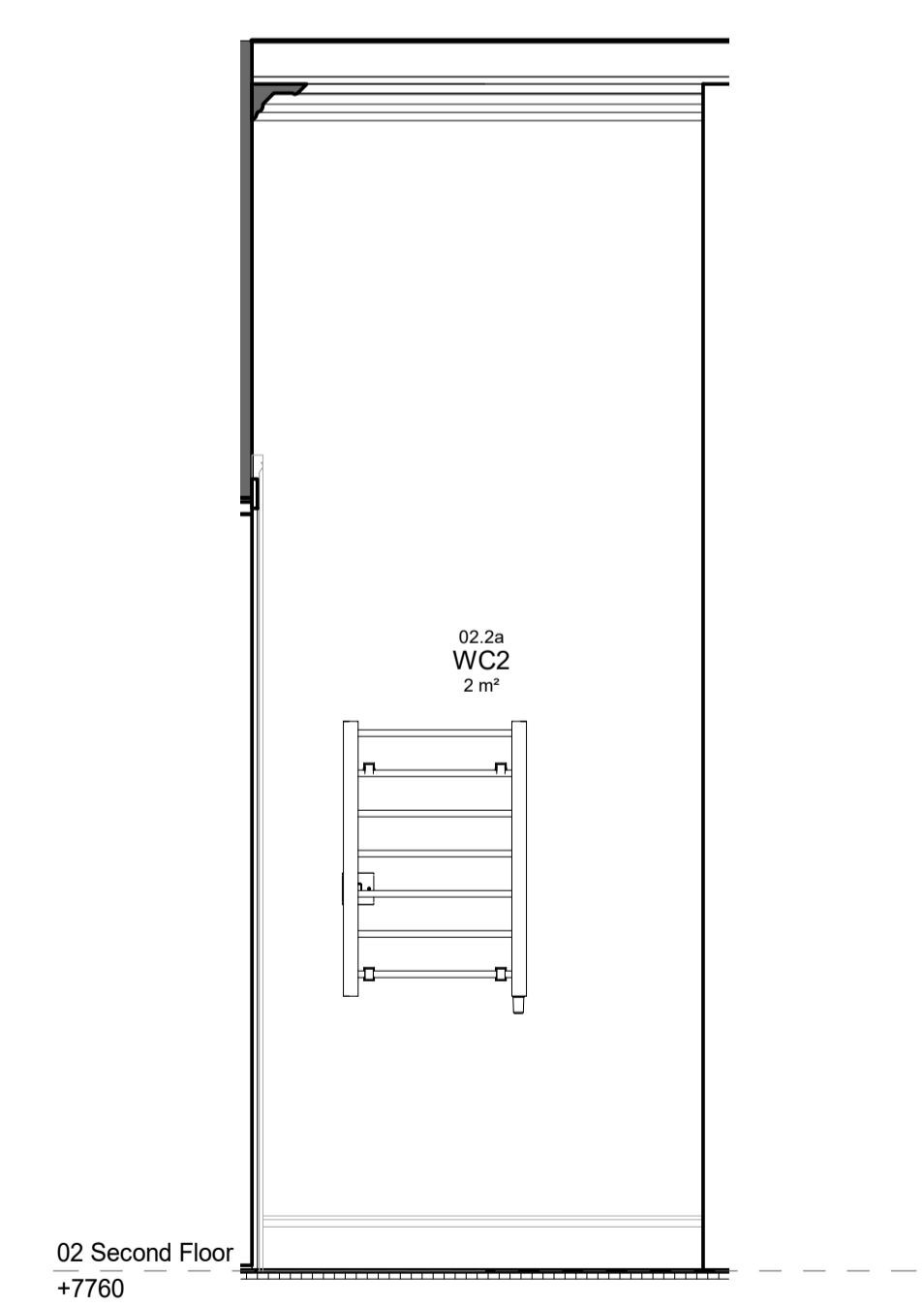
**2 02.2a WC2 - Proposed Room Elev. B**  
 Scale 1 : 20



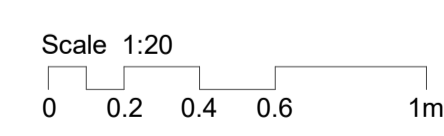
**02.2a WC2 - Proposed Room Plan**  
 Scale 1 : 20



**3 02.2a WC2 - Proposed Room Elev. C**  
 Scale 1 : 20



**4 02.2a WC2 - Proposed Room Elev. D**  
 Scale 1 : 20



P3	Updated Planning Issue	03/09/20	SBA	RJB
P2	Planning Issue	27/08/20	SBA	RJB
P1	Stage 4	21/08/20	SBA	AA
No.	Revision	Date	Chk.	Auth.

<p><b>Saunders Boston Architects</b></p> <p>Eastern Gate House, 119 Newmarket Road, Cambridge CB5 8HA        T: 01223 367733        office@saundersboston.co.uk</p> <p>The Generator, The Gallery, King's Wharf The Quay, Exeter EX2 4AN        T: 01392 349621        www.saundersboston.co.uk</p>		<p>Client: University College London</p> <p>Job: 14 Endsleigh Street</p> <p>Drawing: 02.2a WC2</p>	
<p><b>STAGE 4</b></p>		<p>Scale: 1 : 20 @A1</p>	<p>Revision: <b>P3</b></p>
<p>SBA Project Code: <b>1802</b></p>	<p>Drawn: SBA</p> <p>Checked: JRB</p>	<p>Date: 10/07/20</p> <p>Suitability Code:</p>	<p>project: 1802</p> <p>originator zone level type role number: -SBA-XX-02 -DR-A-267</p>