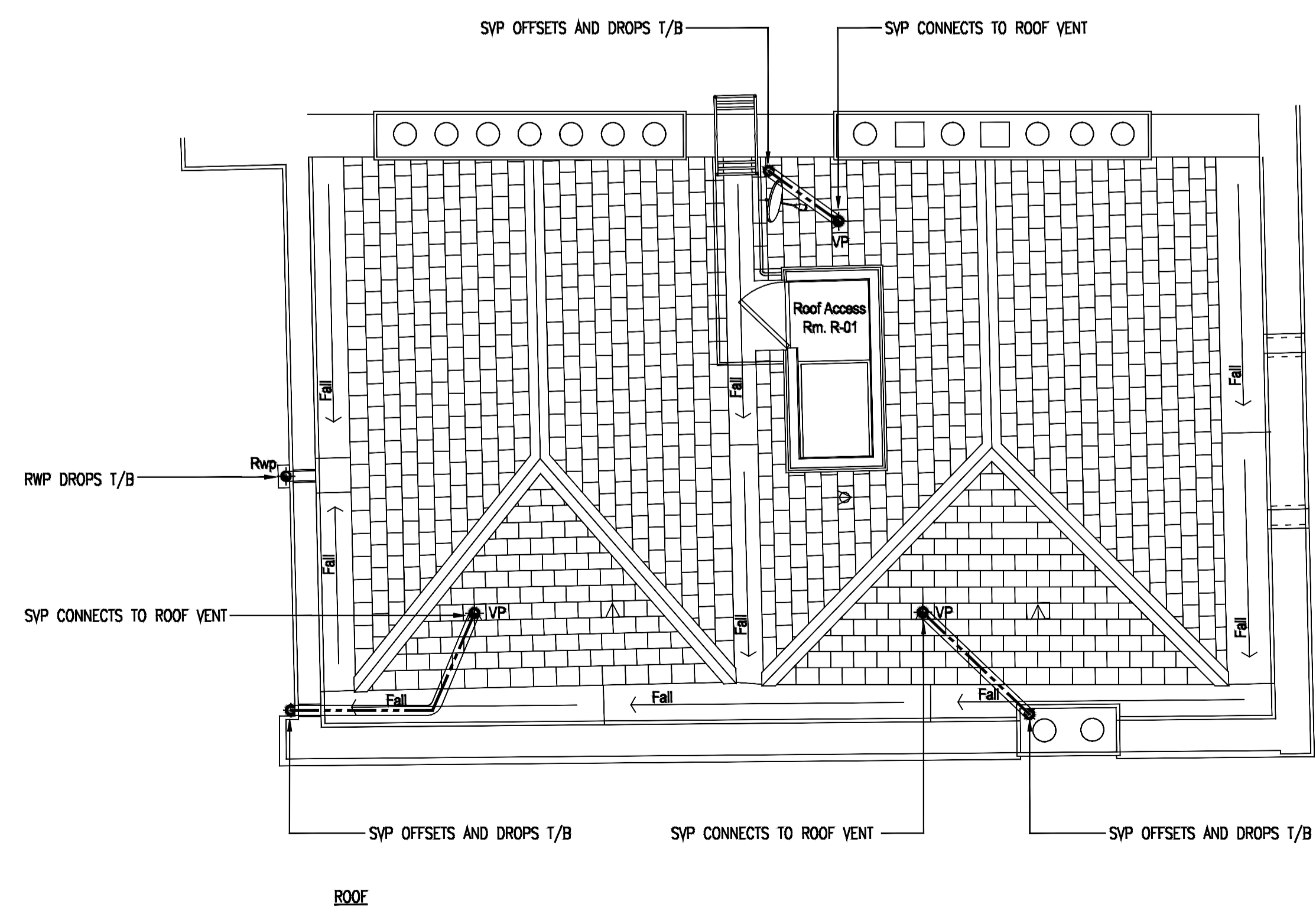
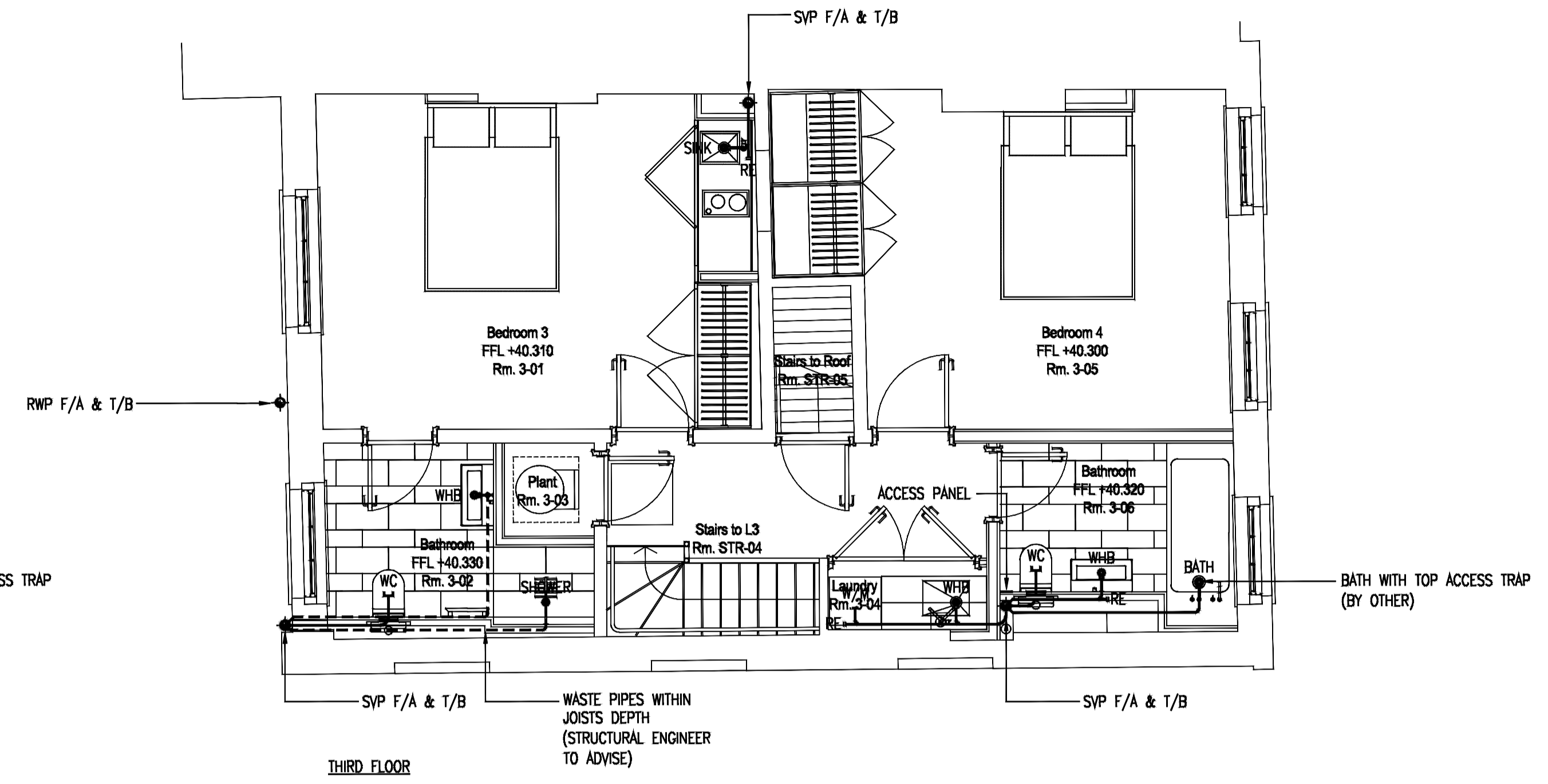
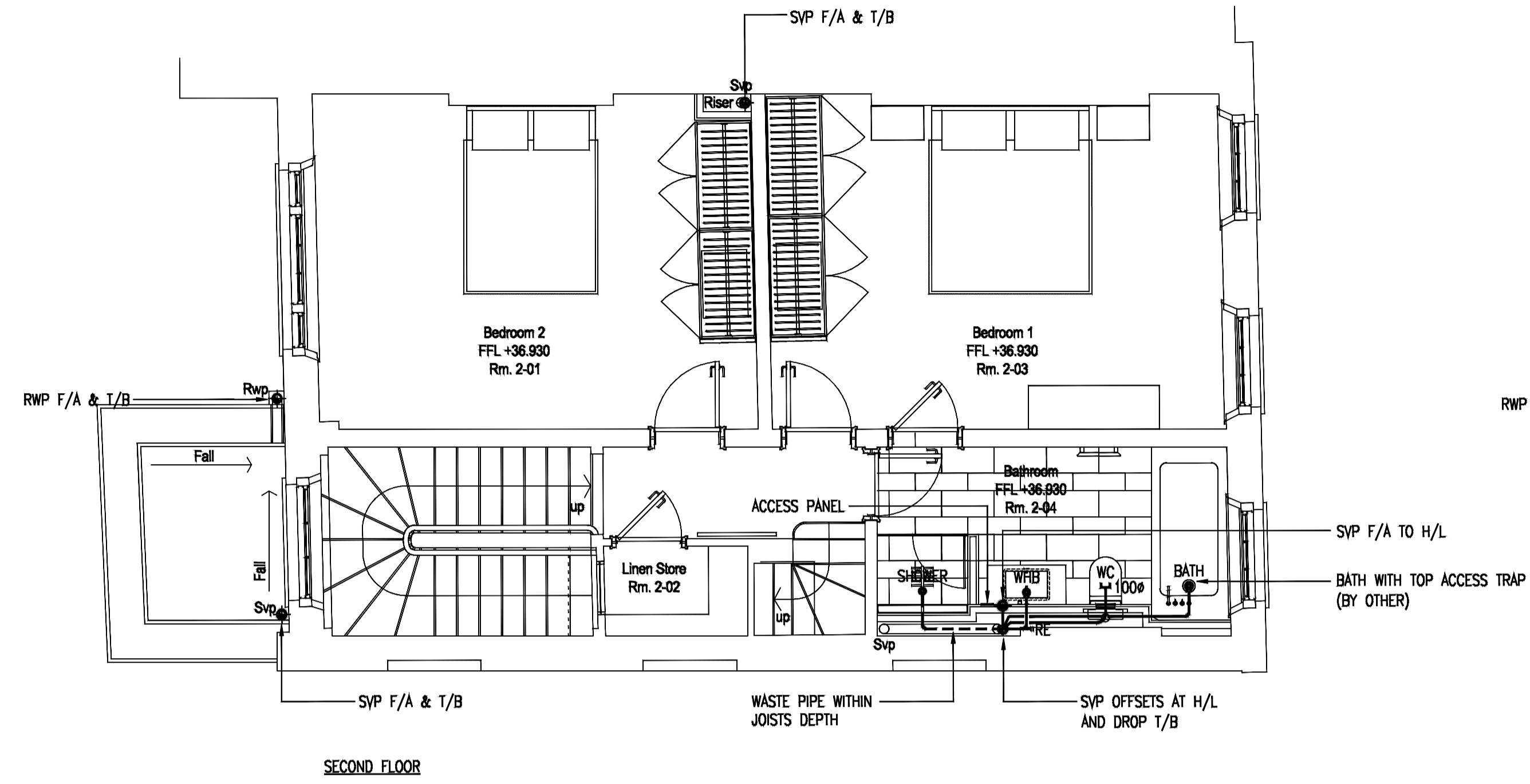


Notes:

1. THIS DRAWING IS TO BE READ IN CONJUNCTION WITH ALL MECHANICAL, ELECTRICAL AND PUBLIC HEALTH SERVICES DRAWINGS FOR THIS CONTRACT.
2. ALL MECHANICAL SERVICES TO BE INSTALLED IN ACCORDANCE WITH THE RELEVANT ENGINEERING SPECIFICATION.
3. ALL FIXING TYPES/METHOD TO BE AGREED WITH THE STRUCTURAL ENGINEER PRIOR TO COMMENCING OF INSTALLATION.
4. ACCESS RODDING EYES TO BE PROVIDED AT ALL CHANGES OF DIRECTION TO ENABLE THE ENTIRE SYSTEM TO BE MAINTAINED AND TESTED.



PRELIMINARY

Rev	Date	Revision/Notes

**ADAPT**  
 Mechanical • Electrical • Ventilation • Fabrication

Adapt M&E, Ventilation & Fabrication  
 Unit 17 Milland Road Industrial Estate, Neath  
 SA11 1NJ, Office – 01792 80 50 40

Client  
**TAMARES**

Architect  
**ANDREWLETTARCHITECTS**

Project  
**19FITZROYSQUARE**

Title  
**SECOND,THIRDFLOOR&ROOF DRAINAGESERVICES**

Date	Scale	Drawn	Checked
June 2020	1:50@A1	MS	ST

Dwg.No. 1097514 Rev. P1