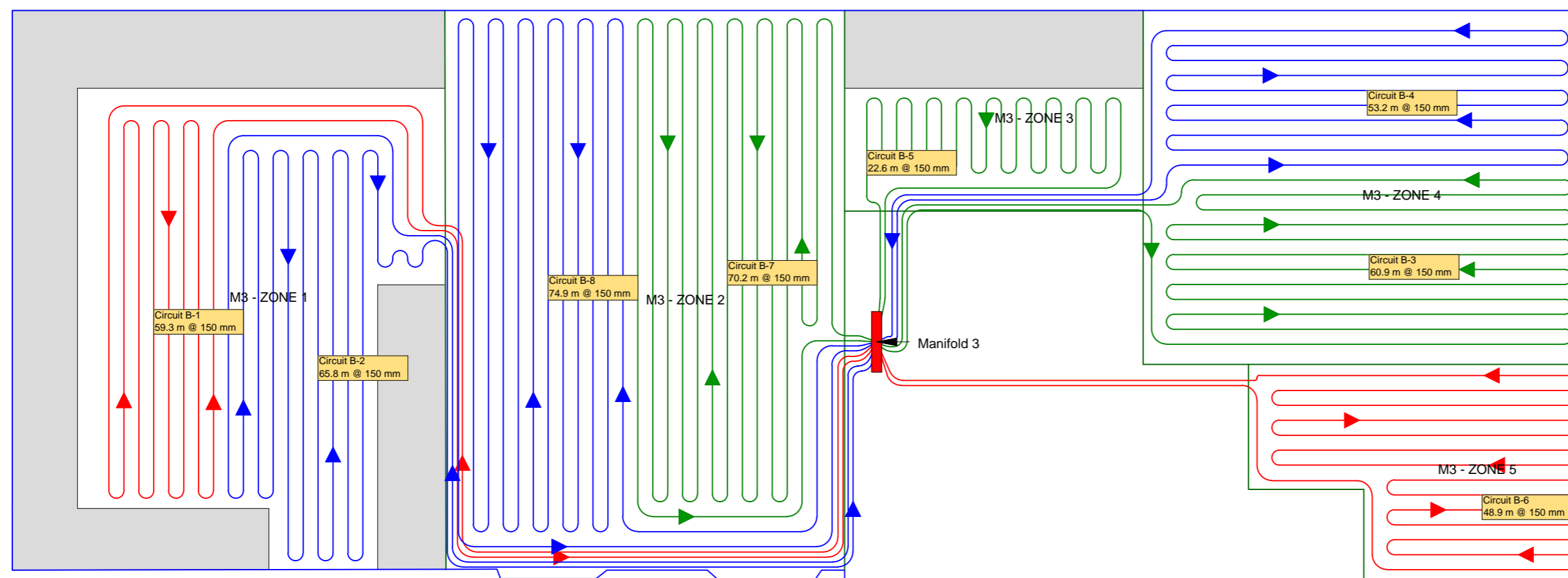


DISCLAIMER:
Note: Details of the tubing bend radius have been simplified for clarity. Consult tubing manufacturer for specific bend radius recommendations.



PROJECT:
15 Fitzroy Square

CUSTOMER:

PROJECT NO.:
Adapt M&E

SCALE:
1/8"=1'

DRAWING NAME:
P2 (Ground Floor)

DRAWN BY:
James Parmenter

Created Using LoopCAD 2015 15.0.0380 (6/12/2020)

DATE:
5/27/2020

REVISIONS

No	Desc	Date



Adapt M&E, Ventilation & Fabrication
Unit 17 Milland Road Industrial Estate,
Neath SA11 1NJ
Office – 01792 80 50 40

PAGE NO.

2

