



Channel Rack



Dimensions in mm

Length	As long as required
Depth	1145, 1500 with bike
Height	1829

Overview

The Channel is a price sensitive method of parking bicycles angled up off the floor to reduce the overall footprint. The rack has an integrated locking bar for each parked bicycle and flared sections to hold the front and back wheels. The racks is self supporting, making installation and relocation an easy and quick job. The flared channel means it's possible to store all types of bicycles from racing bikes to mountain bikes and cycles with extra wide tyres.

The rack is manufactured from RHS sectional solid steel tube and rolled steel angle and all steelwork is fully hot dipped galvanised to ISO1461.

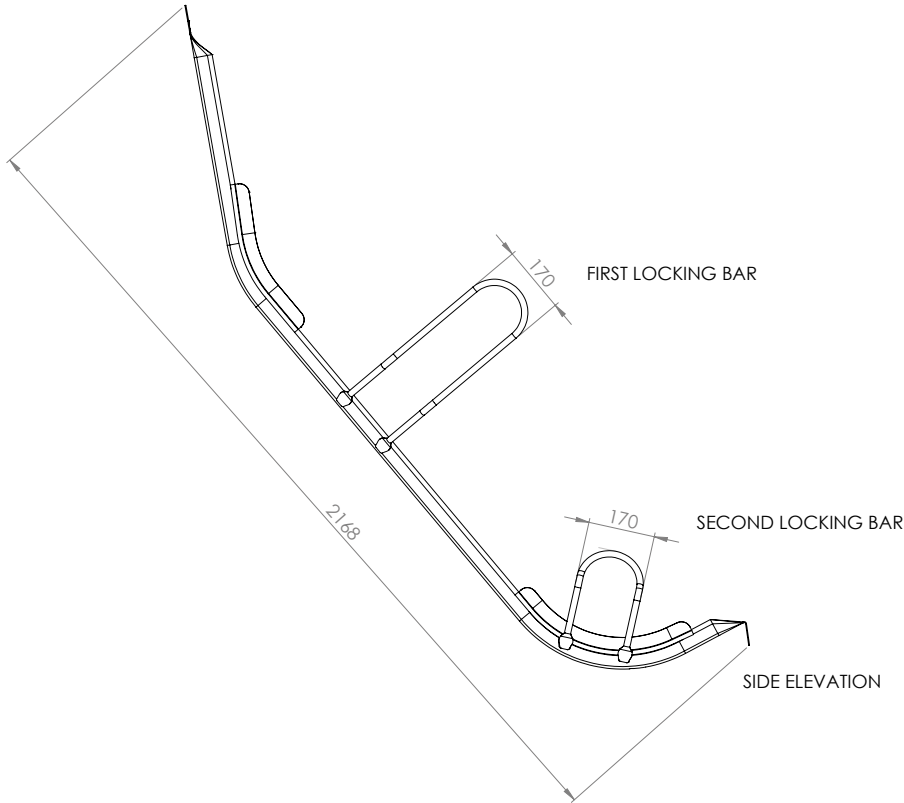
Features & Benefits

- Small footprint.
- Integrated locking bar.
- Flared channel holds the wheels.
- Self supporting.
- RHS sectional solid steel tube and rolled steel angle.
- All steelwork is fully hot dipped galvanised to ISO1461.





Channel Rack



Two Locking Points

The Channel rack is also available with 2 locking points so the front wheel and frame and the rear wheel and frame can be locked independently. This is a key requirement for Code for sustainable homes and BREEAM.

Center Distances

We recommend having the center distance as wide as your site allows. The minimum possible center distance is 305mm, but this is very close and makes the operation very difficult. We advise a 400mm center distance where possible, this is the best compromise between a high density and being comfortable to use.

We recommend a minimum walk way in front of the racks of 1.5m

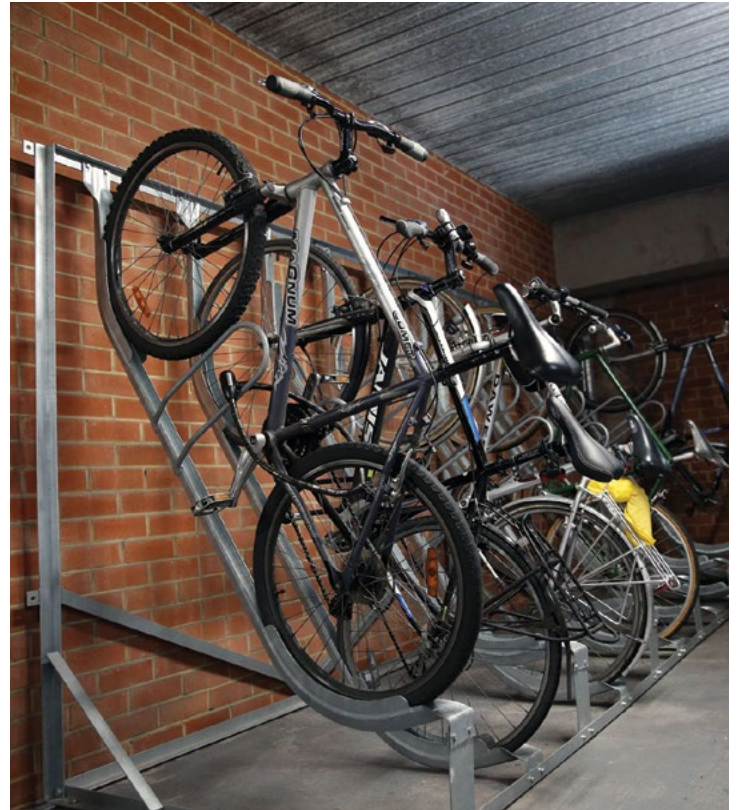
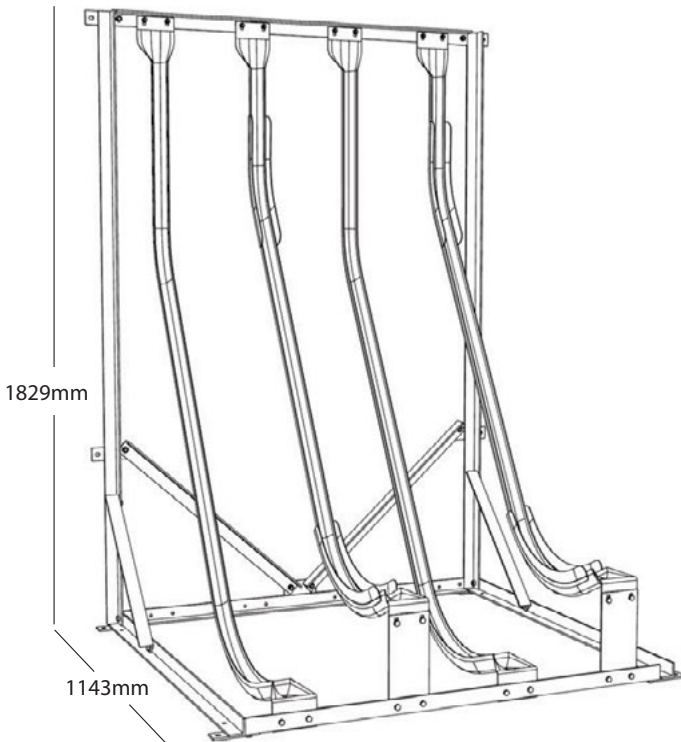




cycle-works

The Cycle Storage Specialists

Channel Rack



Cycle-Works Ltd
8-9 Rodney Road
Portsmouth
Hampshire
PO4 8BF

t 02392 815 555
f 02392 815 544
e info@cycle-works.com
w cycle-works.com
Registered in England 3268339

