

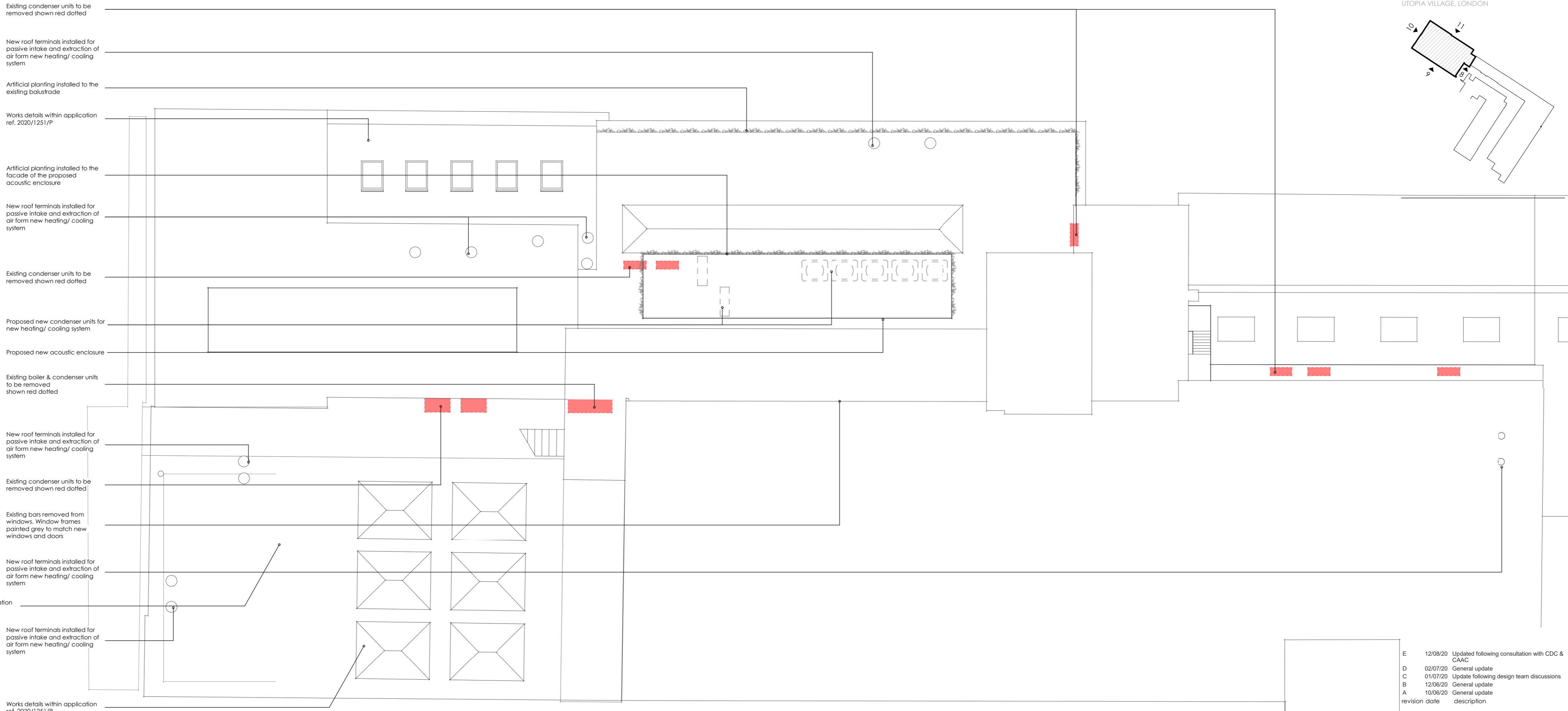
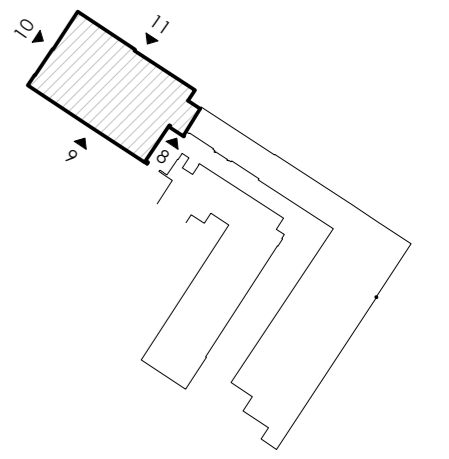
0 1 2 3 4 5

VISUAL SCALE (m) 1:100

NOTE:  
ALL DIMENSIONS MUST BE CHECKED ON SITE AND NOT SCALED FROM THIS DRAWING.  
FOR USE IN PRECISE NAMED LOCATION ONLY. COPYRIGHT RESERVED.

**SITE KEY PLAN**

UTOPIA VILLAGE, LONDON



Existing condenser units to be removed shown red dotted

New roof terminals installed for passive intake and extraction of air form new heating/ cooling system

Artificial planting installed to the existing balustrade

Works details within application ref. 2020/1251/P

Artificial planting installed to the facade of the proposed acoustic enclosure

New roof terminals installed for passive intake and extraction of air form new heating/ cooling system

Existing condenser units to be removed shown red dotted

Proposed new condenser units for new heating/ cooling system

Proposed new acoustic enclosure

Existing boiler & condenser units to be removed shown red dotted

New roof terminals installed for passive intake and extraction of air form new heating/ cooling system

Existing condenser units to be removed shown red dotted

Existing bars removed from windows. Window frames painted grey to match new windows and doors

New roof terminals installed for passive intake and extraction of air form new heating/ cooling system

details within application ref. 2020/1251/P

New roof terminals installed for passive intake and extraction of air form new heating/ cooling system

Works details within application ref. 2020/1251/P

revision	date	description
E	12/08/20	Updated following consultation with CDC & CAAC
D	02/07/20	General update
C	01/07/20	Update following design team discussions
B	12/06/20	General update
A	10/06/20	General update

**PLANNING**

project title  
Utopia Village, Primrose Hill, London

drawing title  
**PROPOSED ROOF PLAN**  
first issued 25/02/20 drawn HH scale @ A2 1:100

job/drawing no/revision  
**19094 - PP2033 - E**

The Studio, 70 Church Road, Wheatley, Oxford, OX33 1LZ  
01865 873936 | info@andersonorr.com | www.andersonorr.com

**Anderson Orr**  
Architects