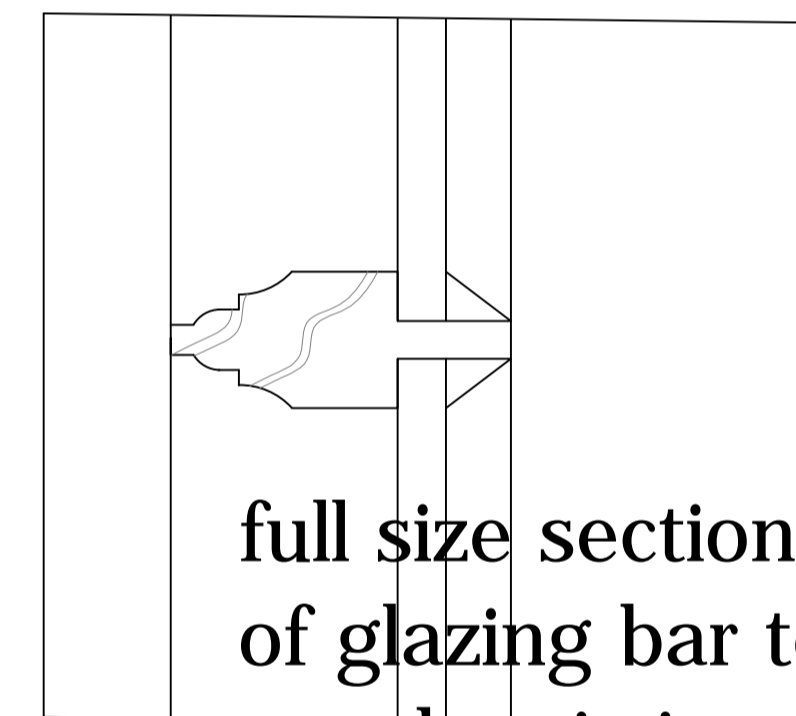
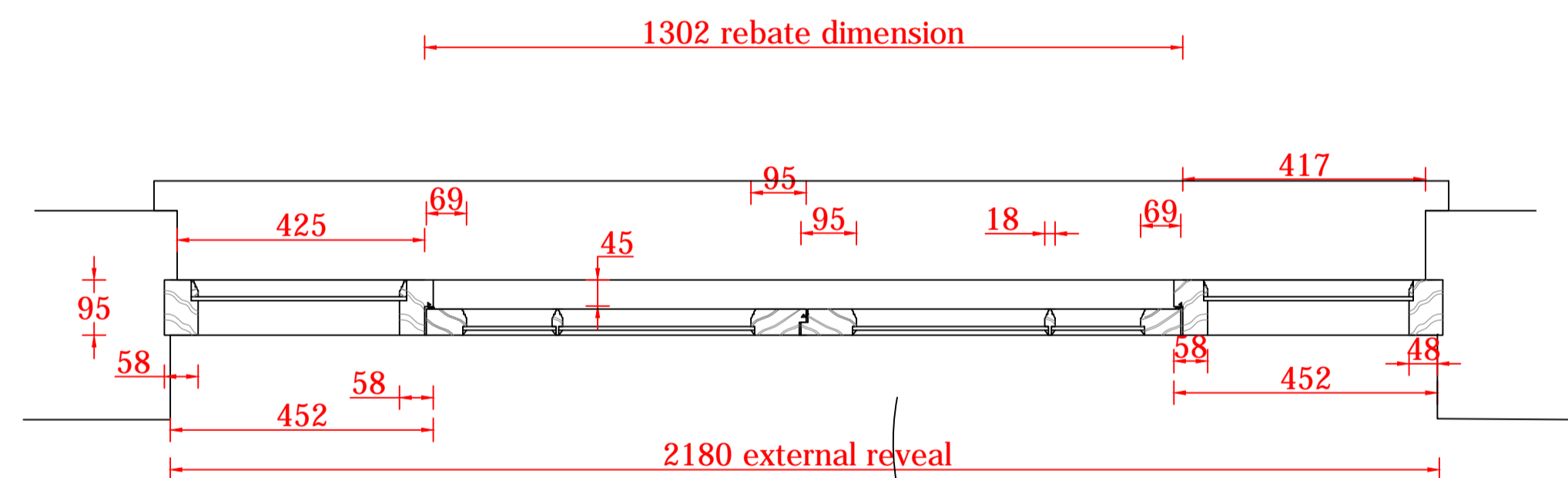


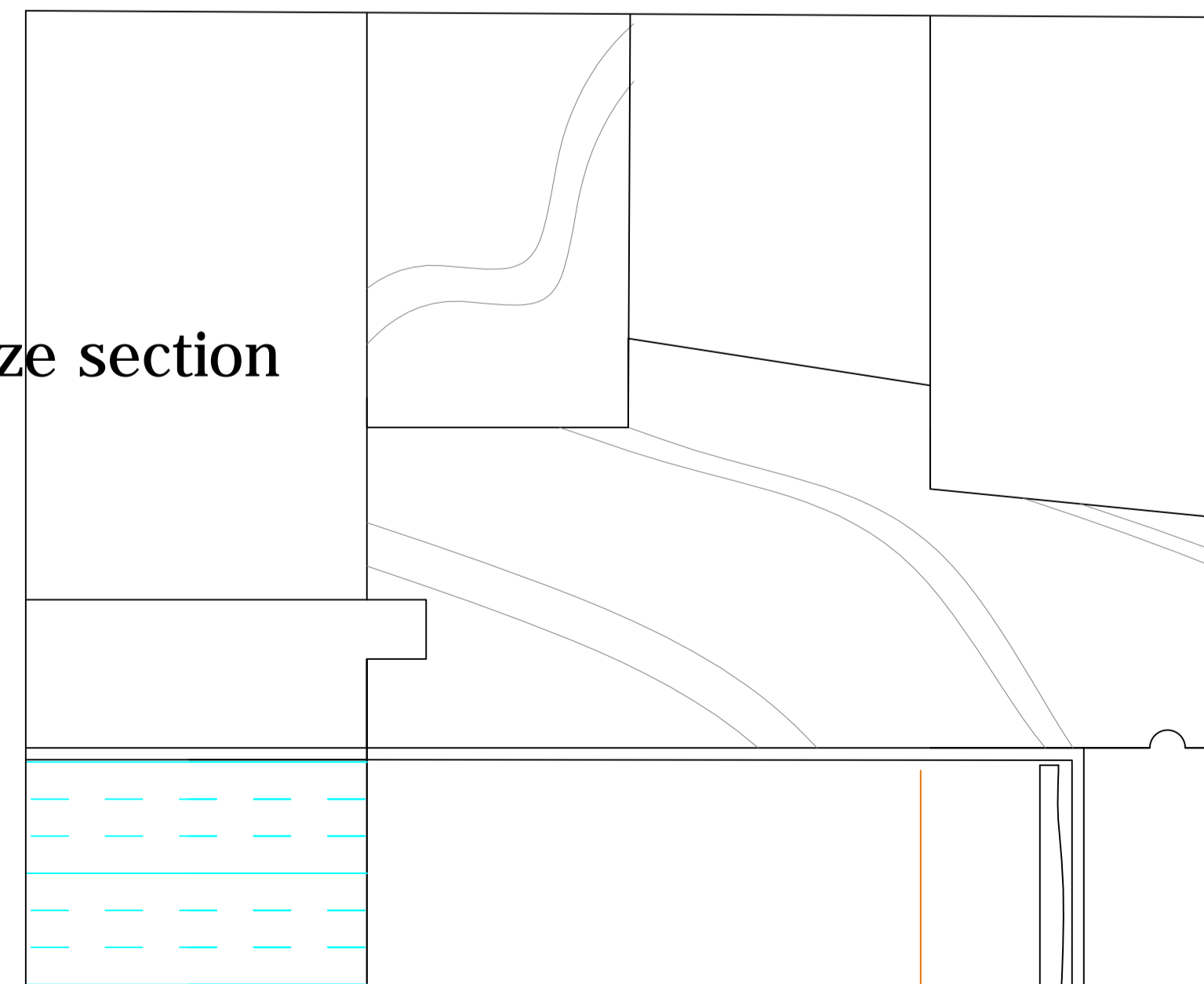
full size section to match existing



full size section of glazing bar to match existing



full size section of cill



3rd floor terrace door set proposed

species: Douglas Fir to frame & doors.
Sapele hardwood Cill

Laminated Crown Glass

ISSUED FOR CLIENT REVIEW

DRAWING APPROVED
Date:

Cavendish Joinery

Unit 17, Parkside Business Centre
Plumpton Road, Hoddesdon
Hertfordshire EN11 0ES

Phone 01992 464506
www.cavendishjoinery.co.uk
E-mail steveholbrook@cavendishjoinery.co.uk

Client	J.Gilinski
Project	4 Cumberland Place
Drawing	proposed
Drawn by	SH
Date	25.08.20
Scale	1:10@A1
Drg No	0002
Status	for approval