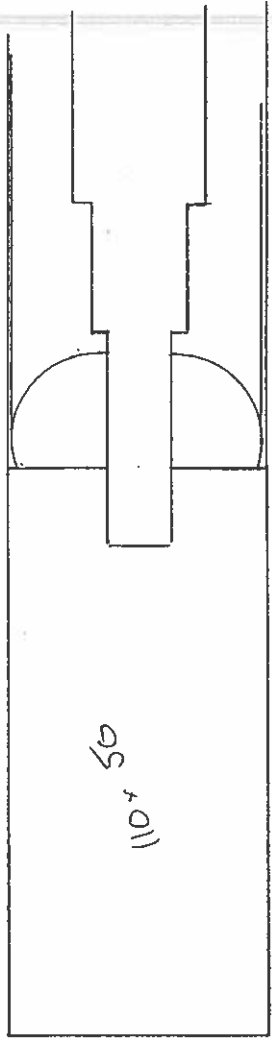
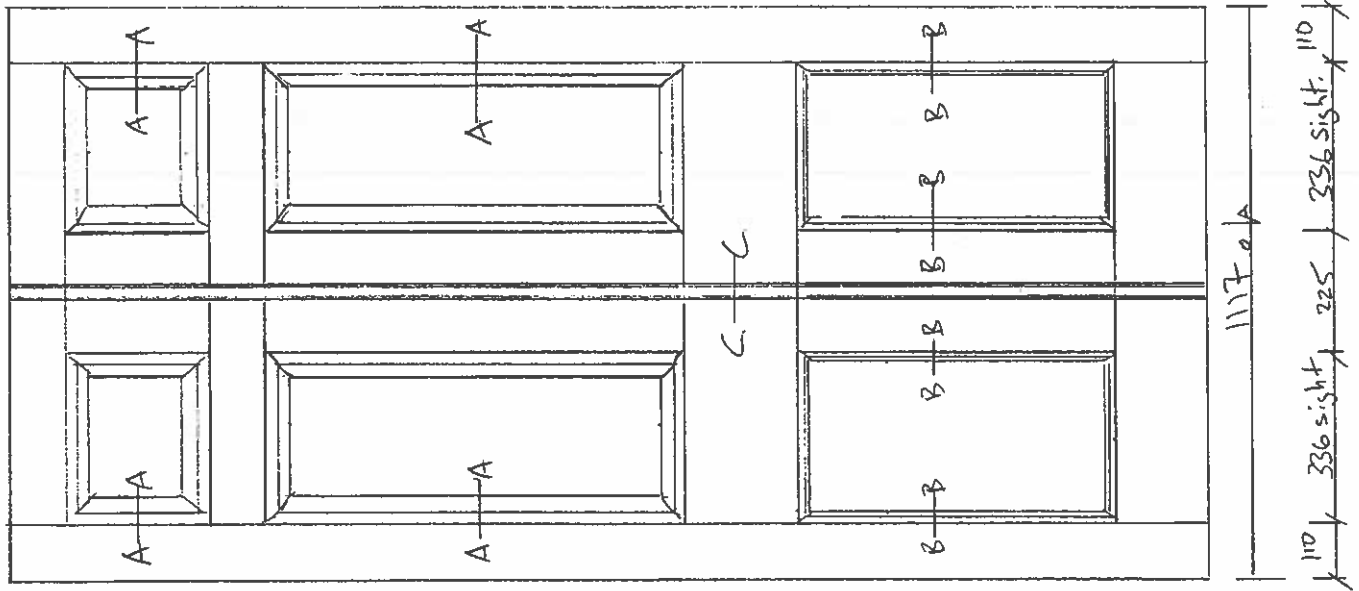
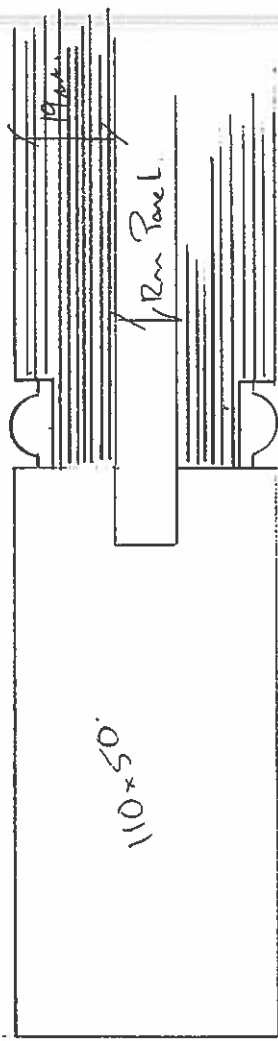


2815 o/a Ht. | 206 | 610 Sight | 215 | 810 Sight | 100 | 270 | 110



Section @ A-A only



Section @ B-B only



Section through C-C