



Project

# 108 Fortune Green Road

12/08/2020

## Table of Contents

1. Item List
2. ECA Eligibility Statement
3. Technical Leaflets & Dimensional Drawings

## Item List

Thank you for your valued enquiry. We have pleasure in submitting our quotation for the supply of Daikin UK products and services as detailed below. The equipment and services as detailed within this document have been based upon the information provided by you or information already in our possession. It is your responsibility to check the selections shown to ensure that they meet with your specific project requirements and that we have interpreted your requirements precisely and correctly.

Unit Reference	Description	Qty.
FCAG71B	Compact Roundflow Cassette	1
BRC1H52W	Wired touch screen remote controller - Madoka White	1
BYCQ140E	Decoration panel	1
RZASG71MV1	Advance - Single Phase	1



## ECA Eligibility Statement

Daikin Air Conditioning UK Ltd hereby confirms that the following product combinations meet or exceed the standards set out in the Energy Technology List: Air Source Heat Pump Split and Multi-Split systems.

Quantity	Indoor	Outdoor	Nominal Cooling Capacity	Nominal Heating Capacity	SEER	SCOP	Certified
1	FCAG71B	RZASG71MV1	6.80	7.50	<b>DNQ</b>	<b>DNQ</b>	-----

**SOUND PRESSURE**  
High/Nom/Low  
35/31/28 dBA



**PIPING CONNECTIONS (LIQUID - GAS)**  
3/8 (9.5) - 5/8 (15.9)

**INTERCONNECTION WIRING (CORE/CABLE SIZE)**  
3+E / 1.5

**MAX. PIPE LENGTH**  
50m  
**MAX. VERTICAL RISE**  
30m

**PRECHARGED TO: 30m**  
**ADDITIONAL CHARGE (g/m)**  
Refer to Installation

PERFORMANCE DATA			
UK TOTAL COOLING	7.76 kW	UK SENSIBLE COOLING	5.32 kW
ENERGY LABEL COOLING	A++	ENERGY LABEL HEATING	A+
SEER	6.47	SCOP	4.01

**RZASG71MV1**

**WINNER**  
FAC COOLING AWARDS 17

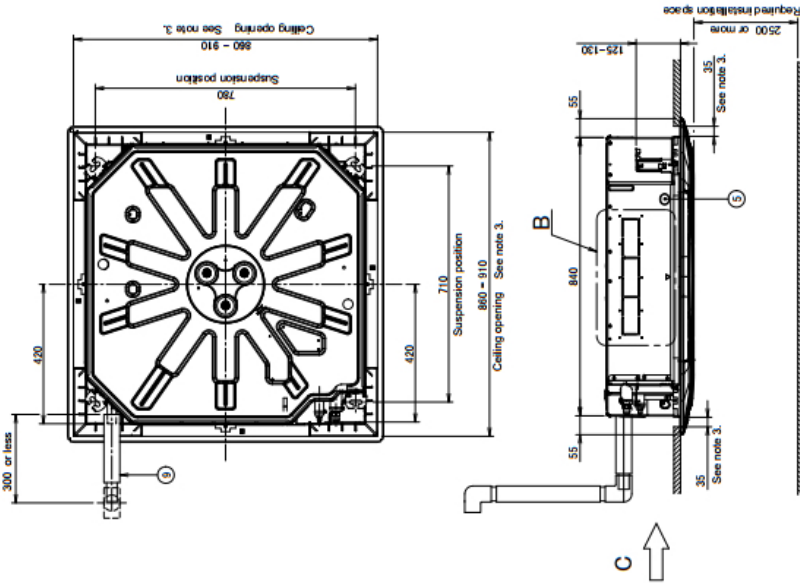
**THE ENERGY AWARDS 17**  
Resource Data Management  
**WINNER**

**SOUND PRESSURE**  
Nom/Night Quiet  
46/42 dBA

**POWER SUPPLY**  
1ph  
**MAX. FUSE SIZE**  
20 A

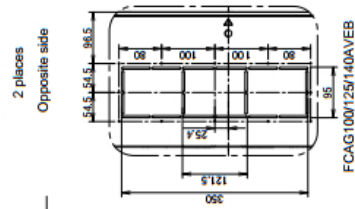
### Notes

1. Location of nameplate  
The unit nameplate is located on the control box cover.  
The unit nameplate is located on the piping-side panel frame, under the corner cover.
2. When installing optional accessories, refer to their respective documentation.
3. Make sure the distance between the ceiling and the cassette does not exceed 35mm.
4. The maximum ceiling opening is 910mm.
5. When the conditions in the ceiling exceed 30°C ambient temperature and 80% relative humidity, or when fresh air is introduced into the ceiling, additional insulation is required (polyethylene foam, thickness ±10mm).
6. When installing a sensor kit, there will be a sensor on this location. For details, see the drawing of the sensor kit.
7. When installing a wireless controller, there will be a receiver on this location. For details, see the drawing of the wireless controller.

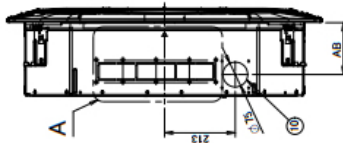
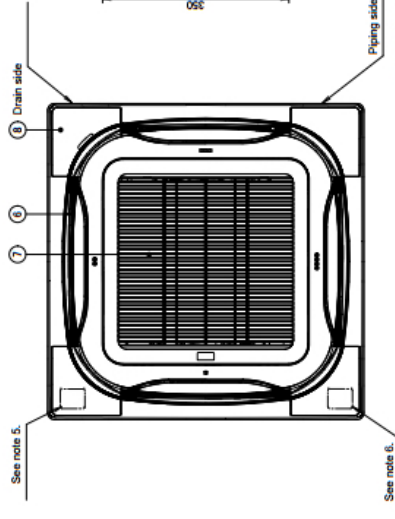
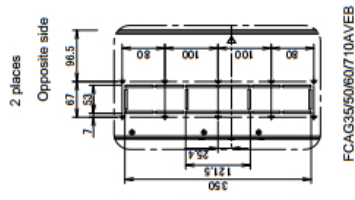


See note 5.

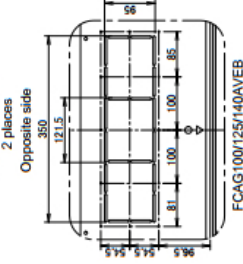
### DETAIL A



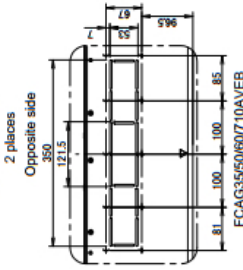
### DETAIL A



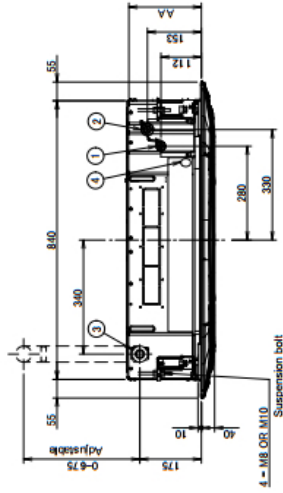
### DETAIL B



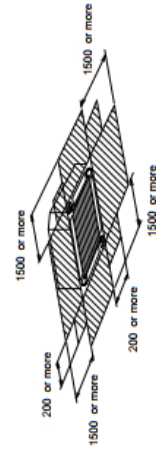
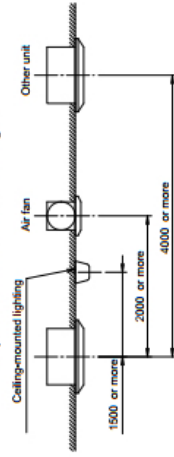
### DETAIL B



### ARROW VIEW C



Respect the distances shown on the figure.



### Required installation space

If a discharge outlet is closed up with the "sealing member" option kit, then the required installation space on that (closed up) side is 500mm instead of 1500mm.

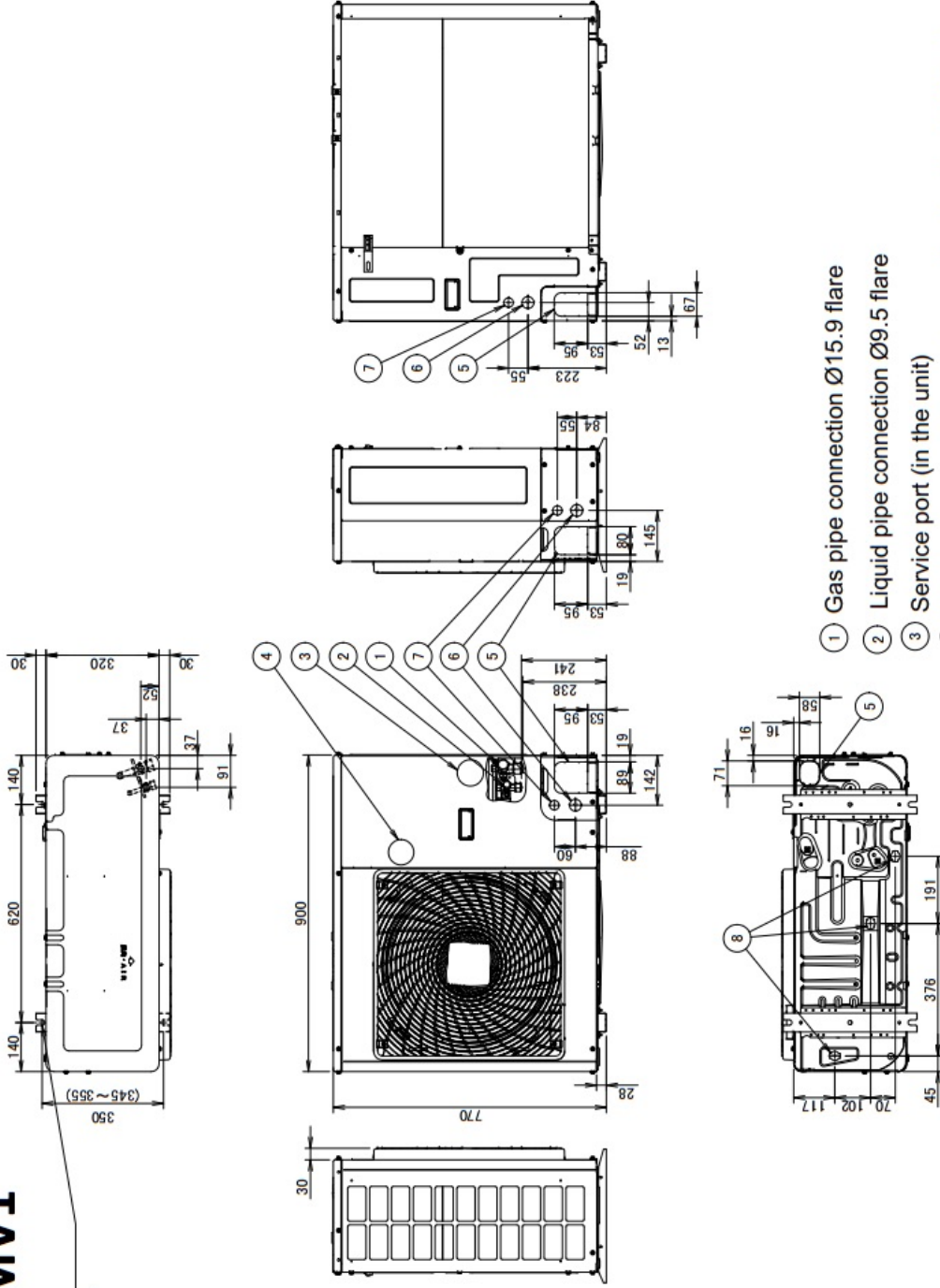
### Item Name

- | Item | Name                            |
|------|---------------------------------|
| 1    | Liquid pipe connection part     |
| 2    | Gas pipe connection part        |
| 3    | Drain pipe connection           |
| 4    | Power supply wiring intake      |
| 5    | Transmission wiring intake hole |
| 6    | Air discharge outlet            |
| 7    | Air suction grille              |
| 8    | Corner decoration cover         |
| 9    | Drain hose                      |
| 10   | Knockout hole.                  |

# AZAS71MV1 RZASG71MV1

4 holes for anchor bolts

M12



- ① Gas pipe connection Ø15.9 flare
- ② Liquid pipe connection Ø9.5 flare
- ③ Service port (in the unit)
- ④ Electronic connection and grounding terminal M5 (in the switch box)
- ⑤ Refrigerant piping intake
- ⑥ Power supply wiring intake (knockout hole Ø34)
- ⑦ Control wiring intake (knockout hole Ø27)
- ⑧ Drain outlet

**3D110013**