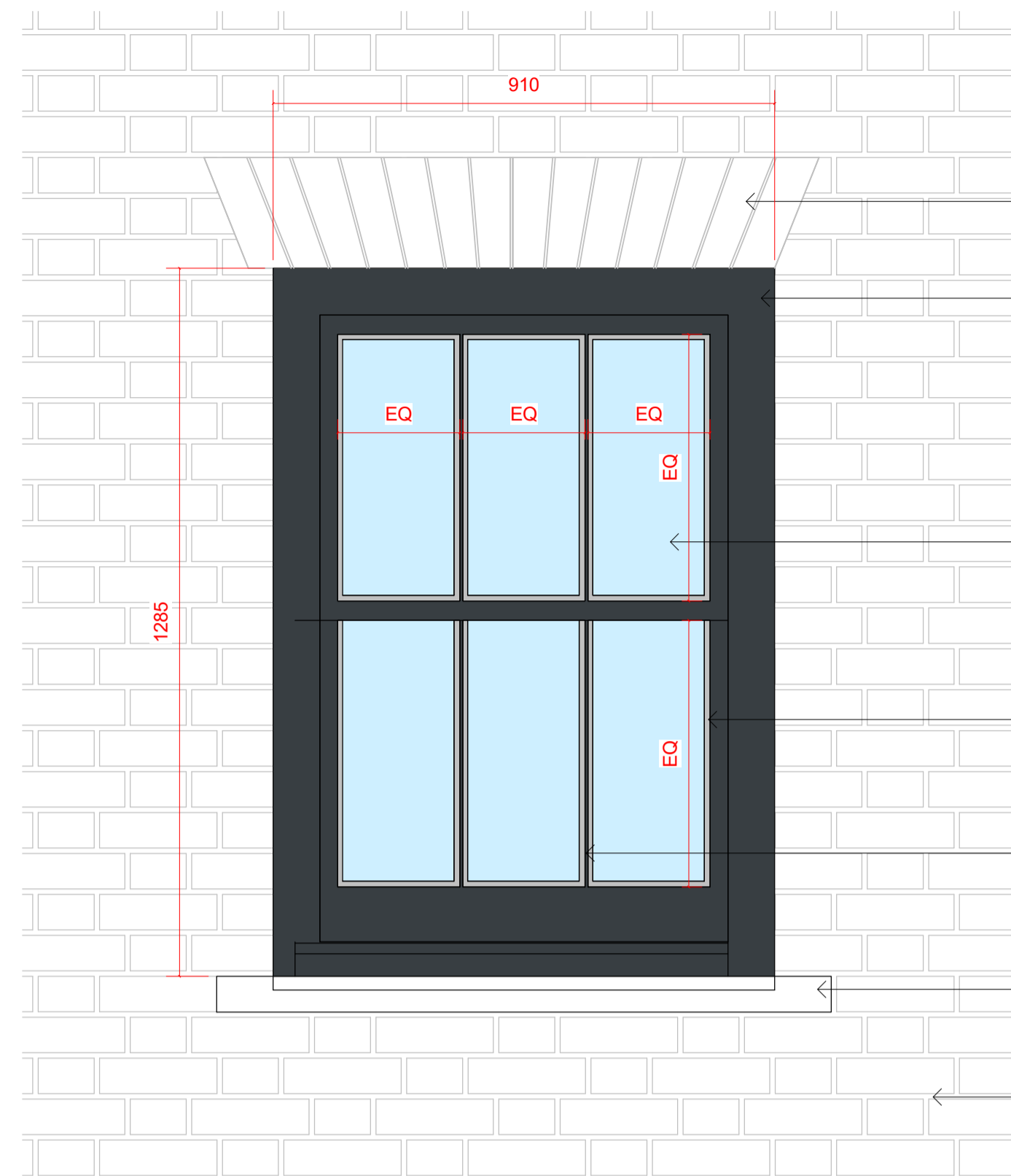
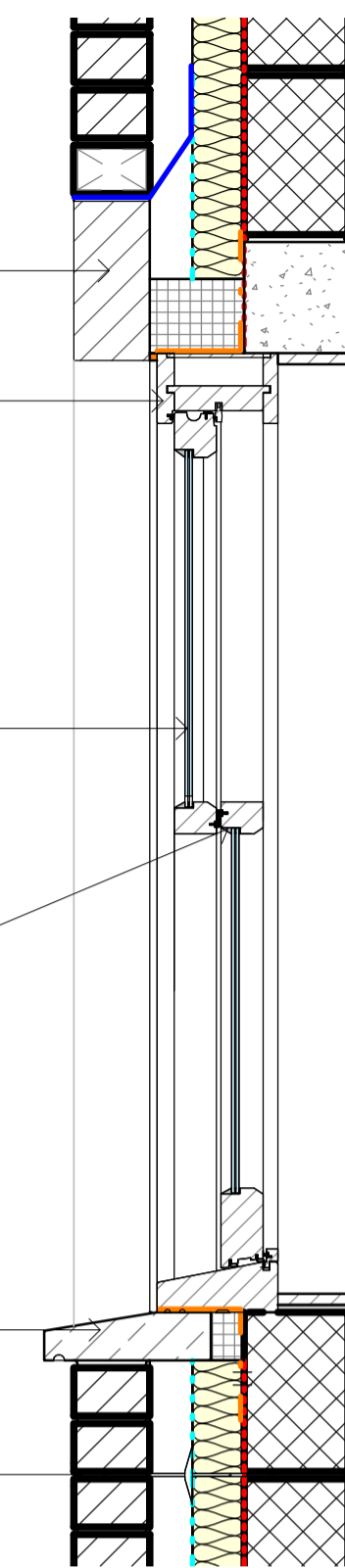


1 20 Denmark Street Rear Elevation Window Reference Closet Wing
Scale: 1 : 50

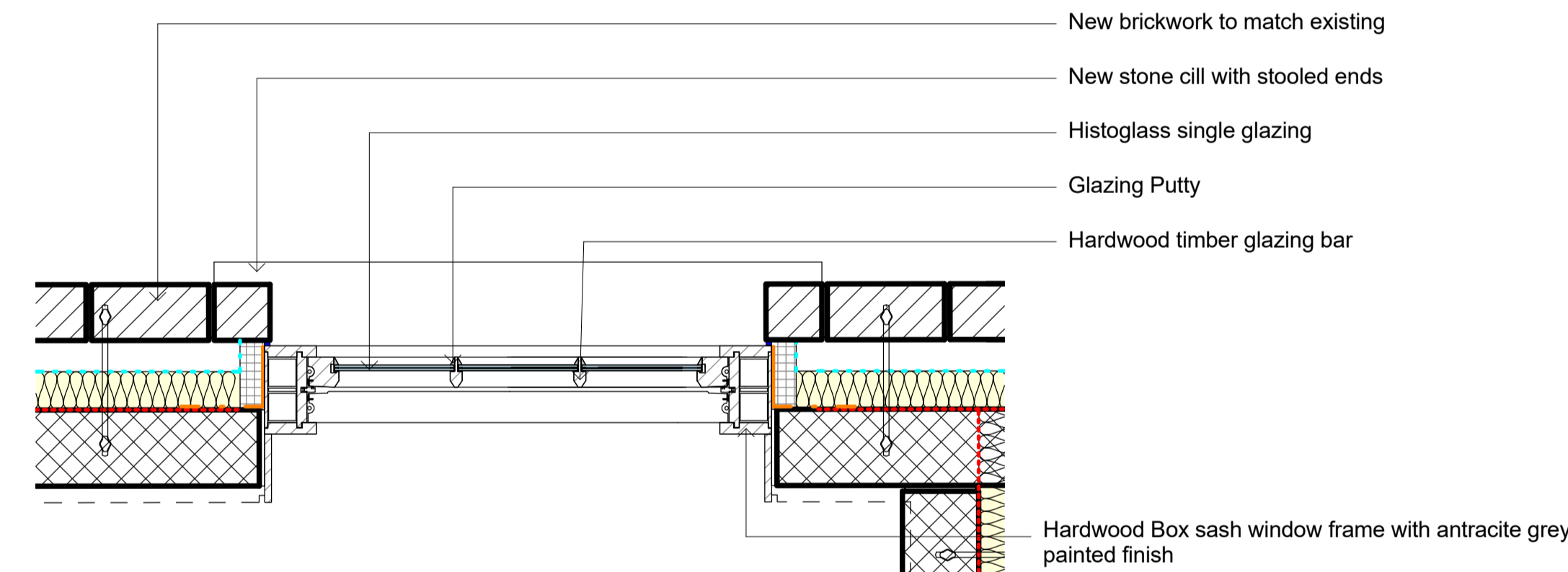


2 20 Denmark Street Typical Closet Wing Window Elevation
Scale: 1 : 10

- New traditional flat arch lintel
- Hardwood Box sash window frame with antracite grey painted finish
- Histoglass single glazing
- Glazing Putty
- Hardwood timber glazing bar
- New stone cill with stooled ends
- New brickwork to match existing

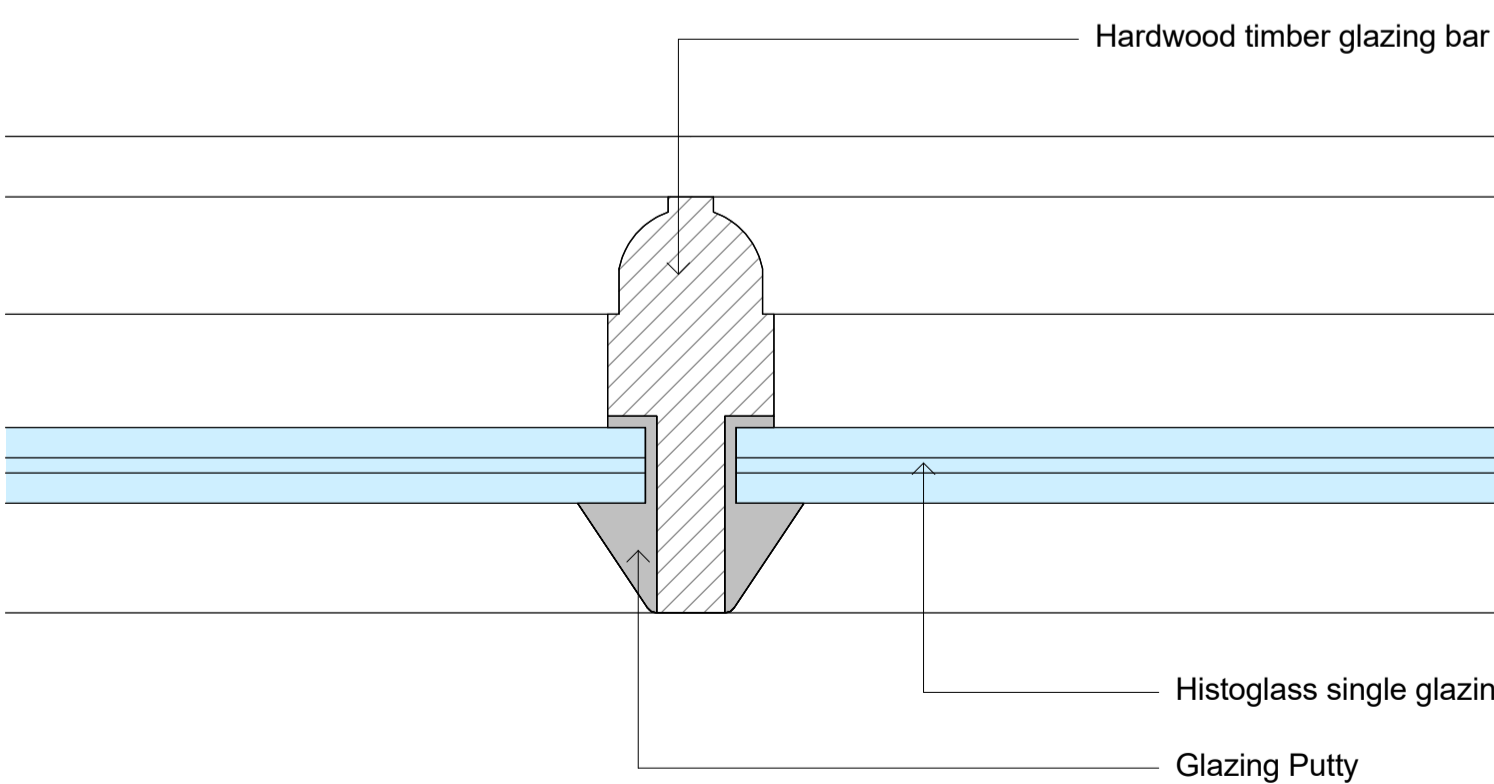


6 20 Denmark Street - Proposed Closet Wing Windows Section Detail
Scale: 1 : 10



3 20 Denmark Street - Closet Wing Window Plan Detail
Scale: 1 : 10

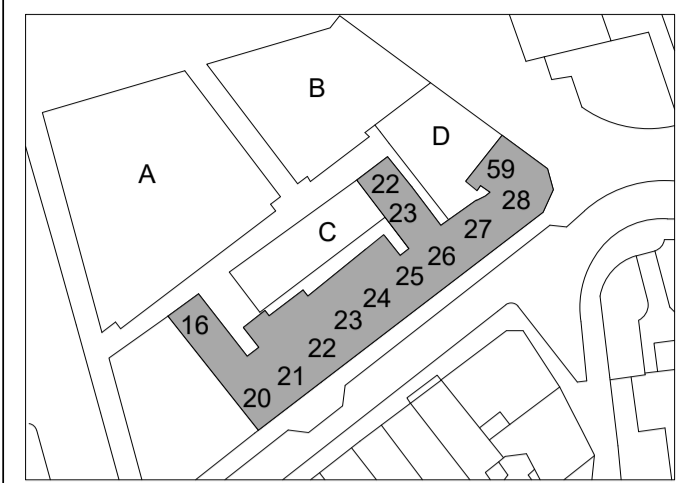
- New brickwork to match existing
- New stone cill with stooled ends
- Histoglass single glazing
- Glazing Putty
- Hardwood timber glazing bar
- Hardwood Box sash window frame with antracite grey painted finish



4 20 Denmark Street Closet Wing Window Glazing Bar Profile
Scale: 1 : 1

- Hardwood timber glazing bar
- Histoglass single glazing
- Glazing Putty

Key Plan:



CDM:



Refer to the Risk Register for more information.

Project: **St Giles Circus**

Project Number: **1793**

Drawing Title:
20 Denmark Street Proposed Window Details

Drawing No.
1793_2_PL(20)16

Scale@A1:**As indicated**

Issued for: **S2 - INFORMATION**

Revision:
P01 31.07.20 Issued for Information

Orms

1 Oliver's Yard
55-71 City Road
London
EC1Y 1HQ
0207 833 8533
orms@orms.co.uk
orms.co.uk

Do not scale. All dimensions to be confirmed on site. Information contained in this drawing is the sole copyright of Orms designers + architects ltd and is not to be reproduced without permission.