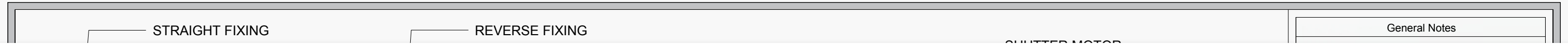


# Annotation Summary

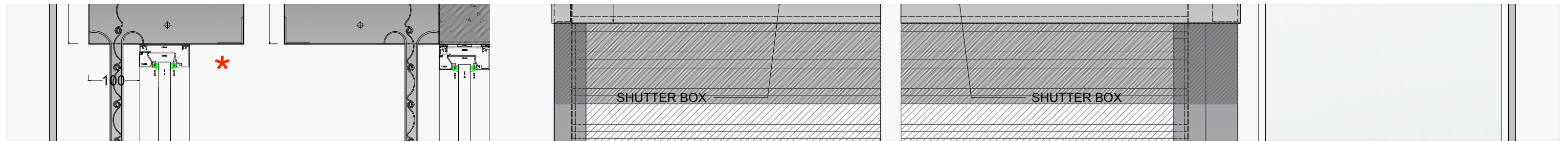
5 annotations by Malcolm Rowe

\* = Shutter design type to be installed



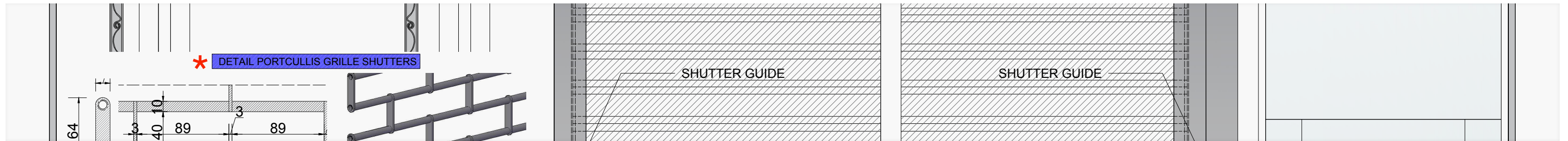
#1

p.1



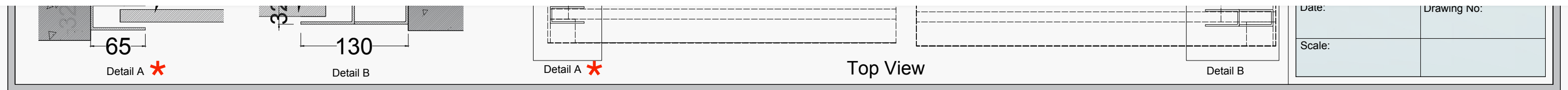
#2

p.1



#3

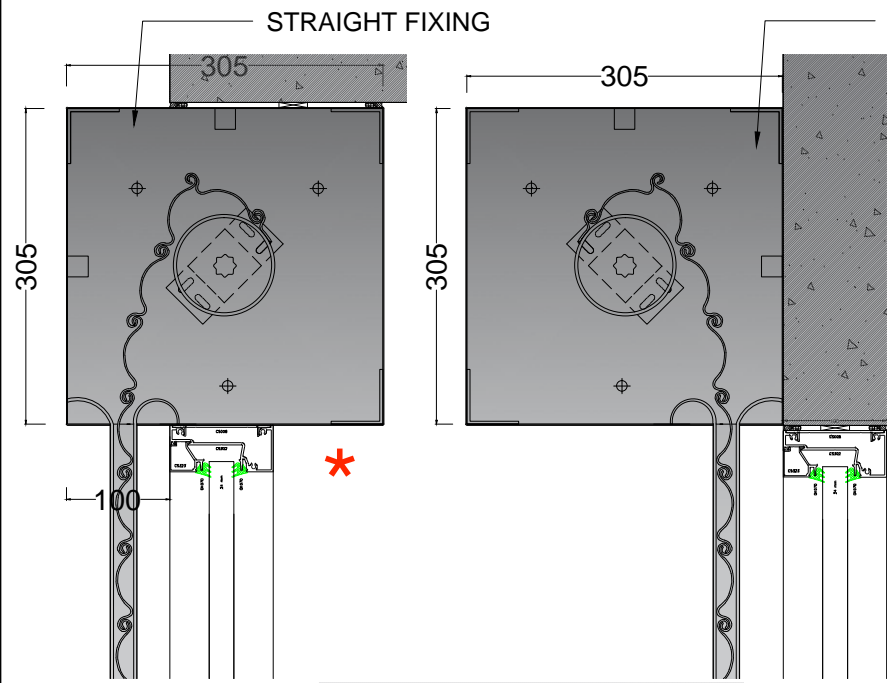
p.1



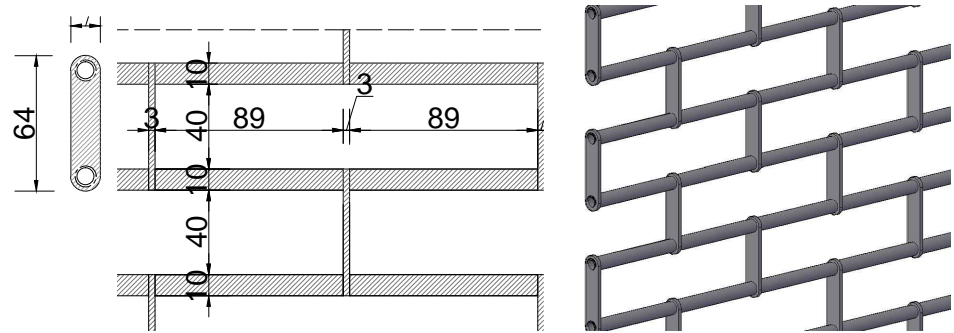
#4

p.1

\* = Shutter design type to be installed

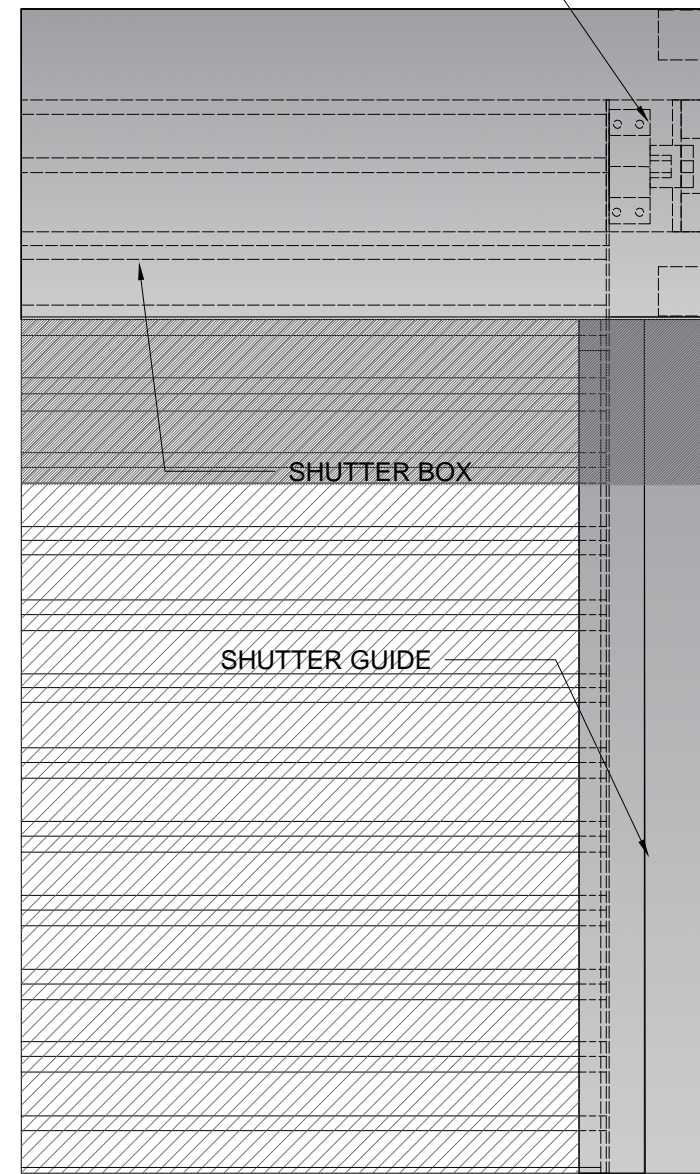
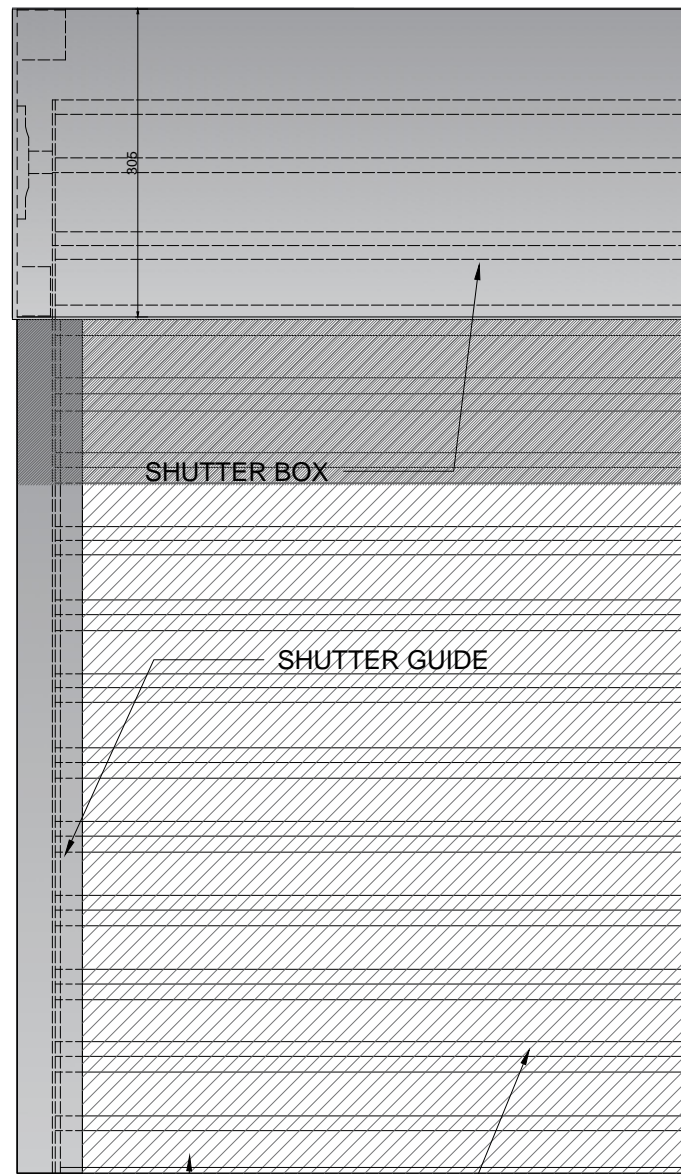
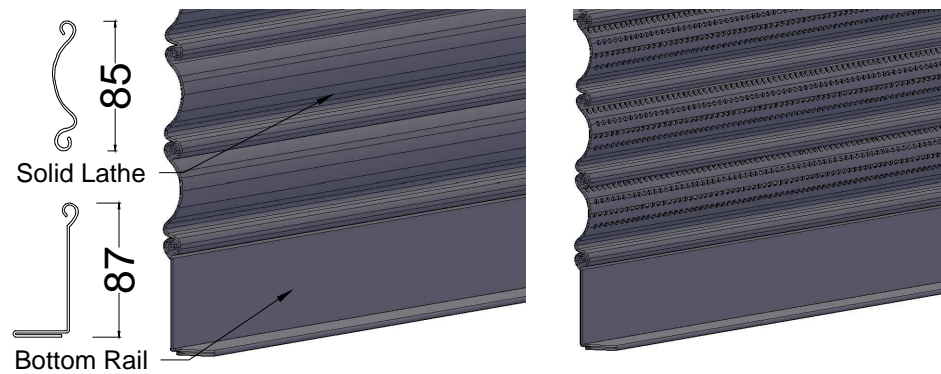


\* **DETAIL PORTCULLIS GRILLE SHUTTERS**

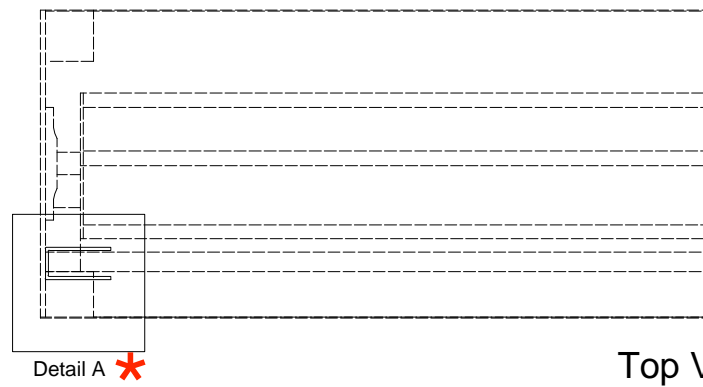
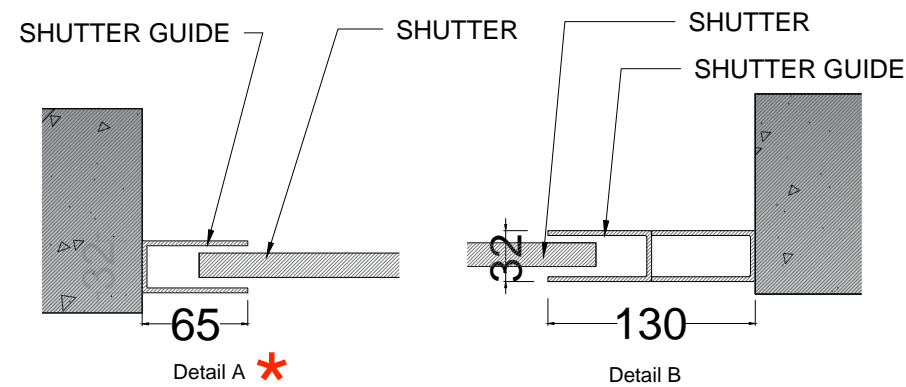
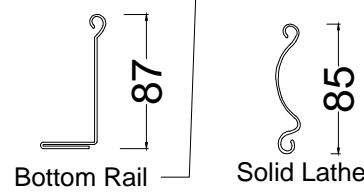


**DETAIL SOLID LATHE SHUTTERS**

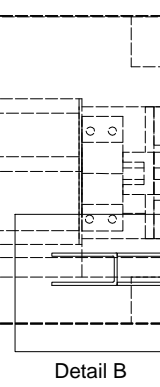
**DETAIL PREFORATED LATHE SHUTTERS**



Front View



Top View



General Notes



Unit 6, Blackwater Close  
Marsh Way, Rainham  
Essex RM13 8UA  
Tel: 01708 552225  
Fax: 01708 557567  
www.londonshopfitters.co.uk  
Email: sales@londonshopfitters.co.uk

Project Name and Address :

Client :

Title : SHUTTER

Project No: \_\_\_\_\_ Drawn by: \_\_\_\_\_

Date: \_\_\_\_\_ Drawing No: \_\_\_\_\_

Scale: \_\_\_\_\_

No.	Revision / Issue	Date