

NEW COMPOST BOX

PROPOSED GARAGE - TIMBER STRUCTURE WITH TIMBER SHINGLES AND GARAGE DOOR

WORKSHOP AND STORAGE

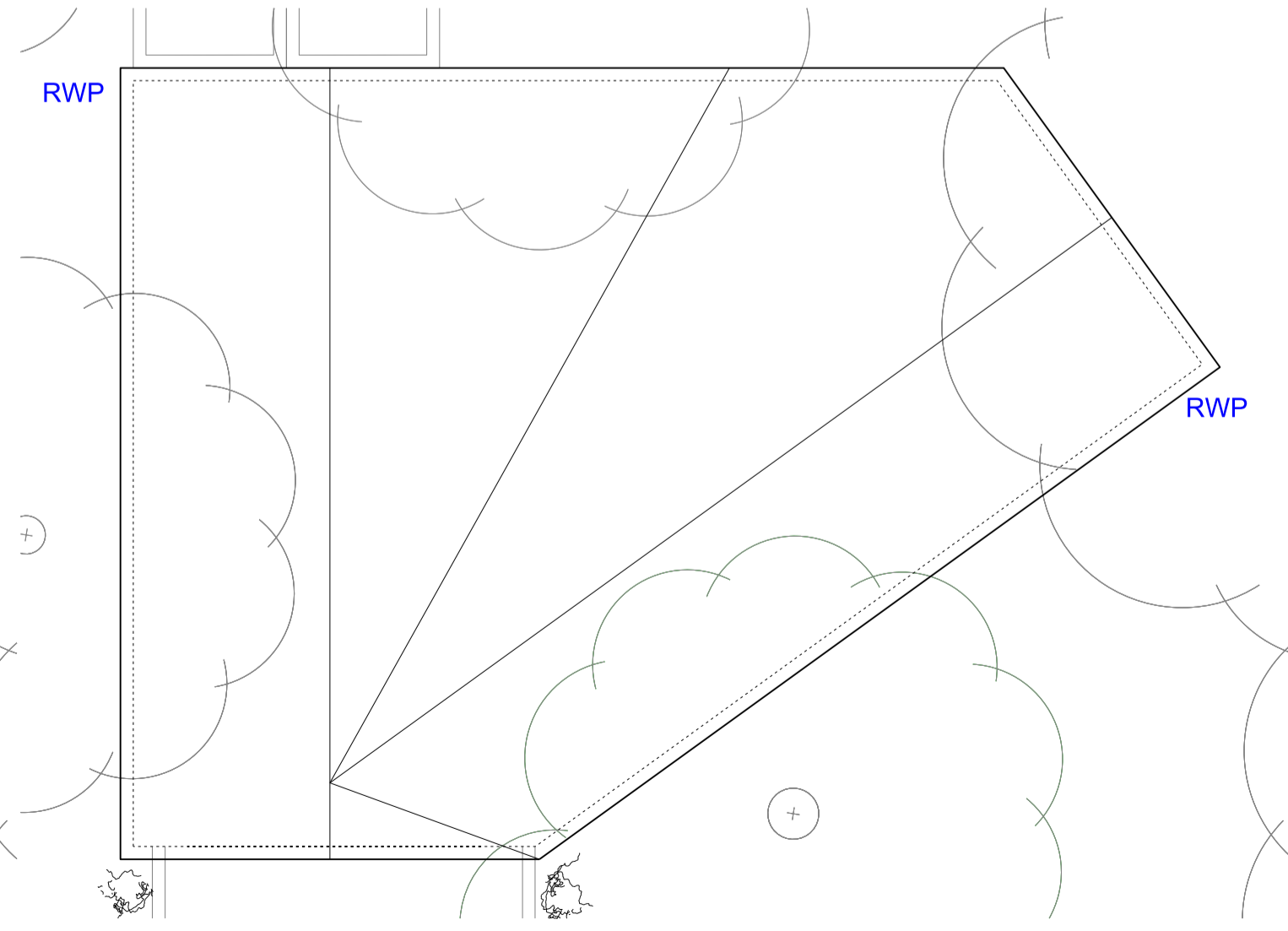
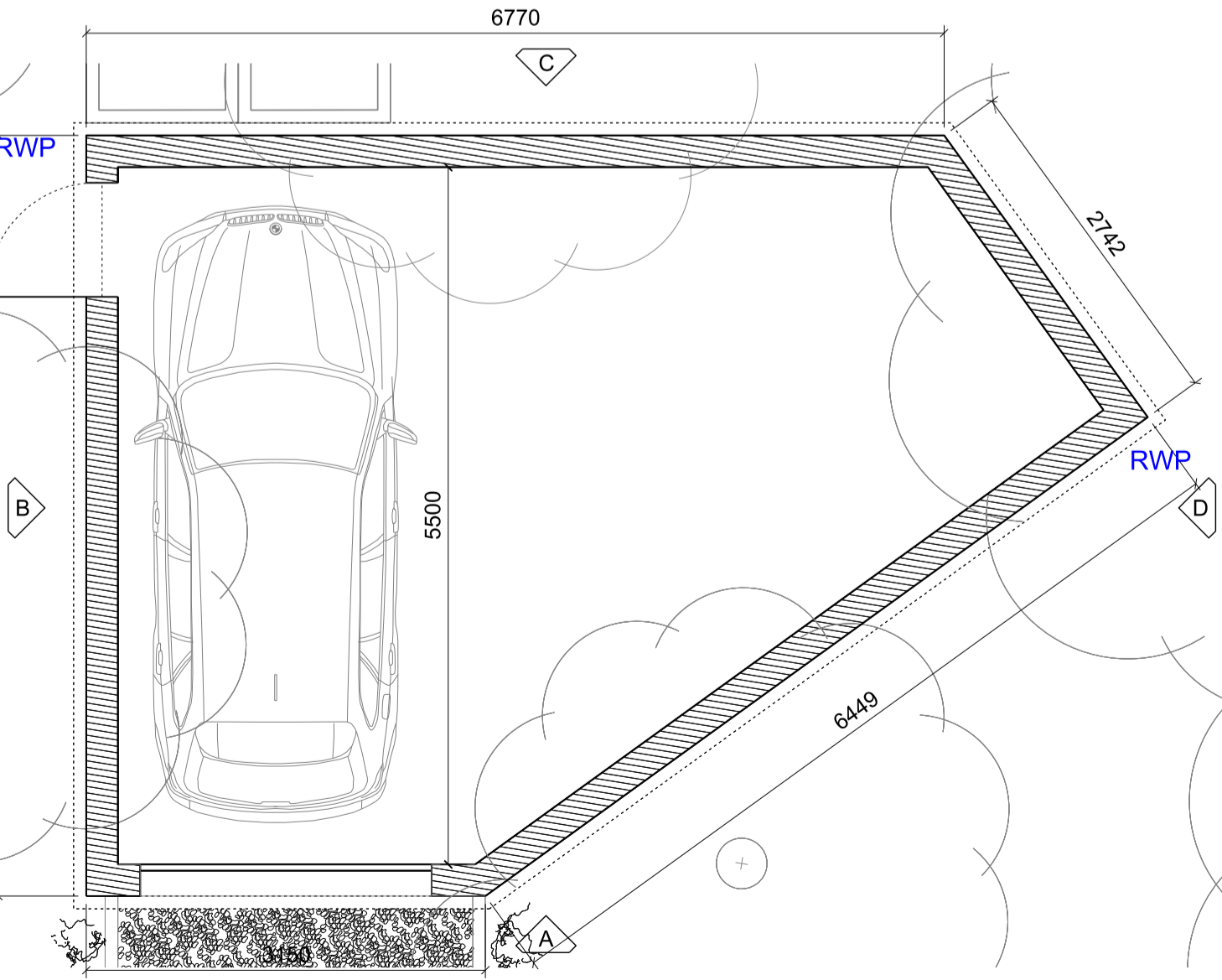
ACCESS TO GARAGE

HEDGES PLANTED AROUND PERIMETER OF WOODLAND AREA

HIGHGATE WEST HILL

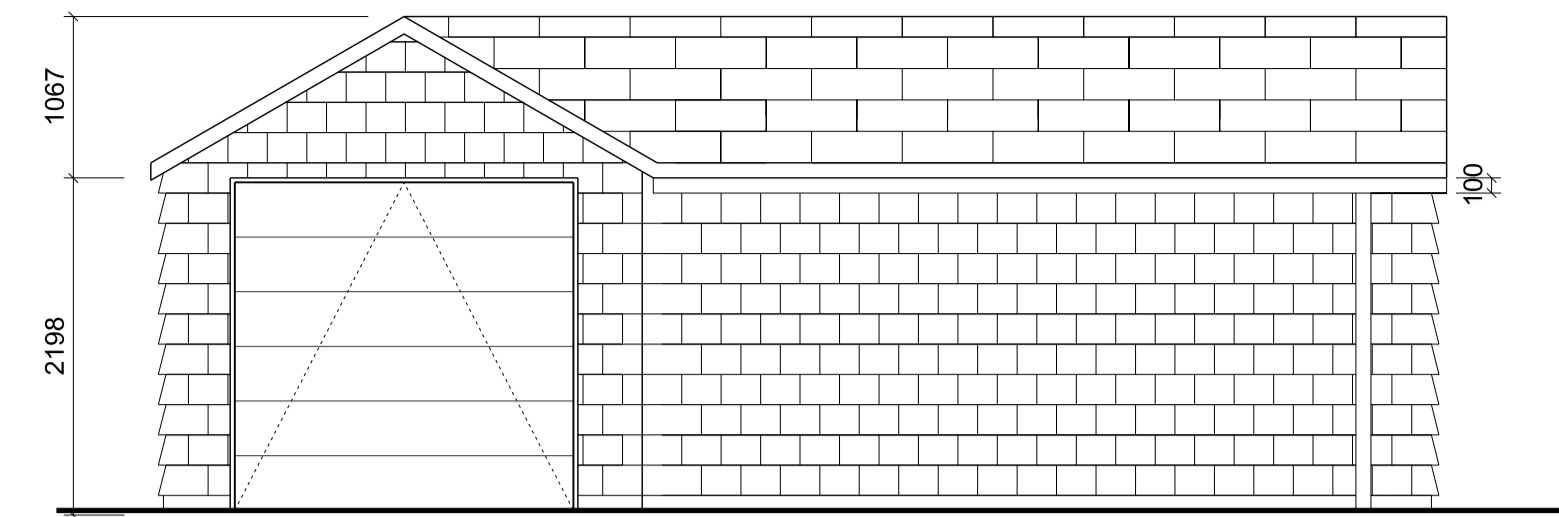
**1** 1:100@A1  
PROPOSED WOODED AREA PLAN

0 1 2 3 4 5 6 7 8 9 10  
SCALE IN METRES @ 1:100

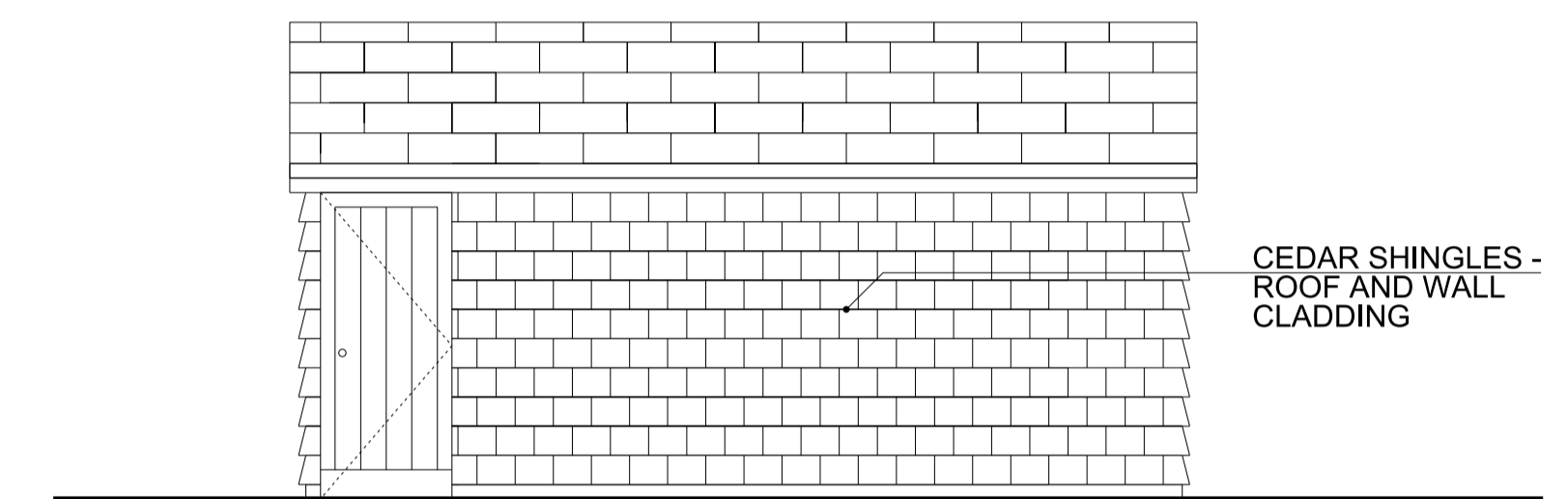


**2** 1:50@A1  
OUTBUILDING GARAGE PLAN

**3** 1:50@A1  
OUTBUILDING ROOF PLAN

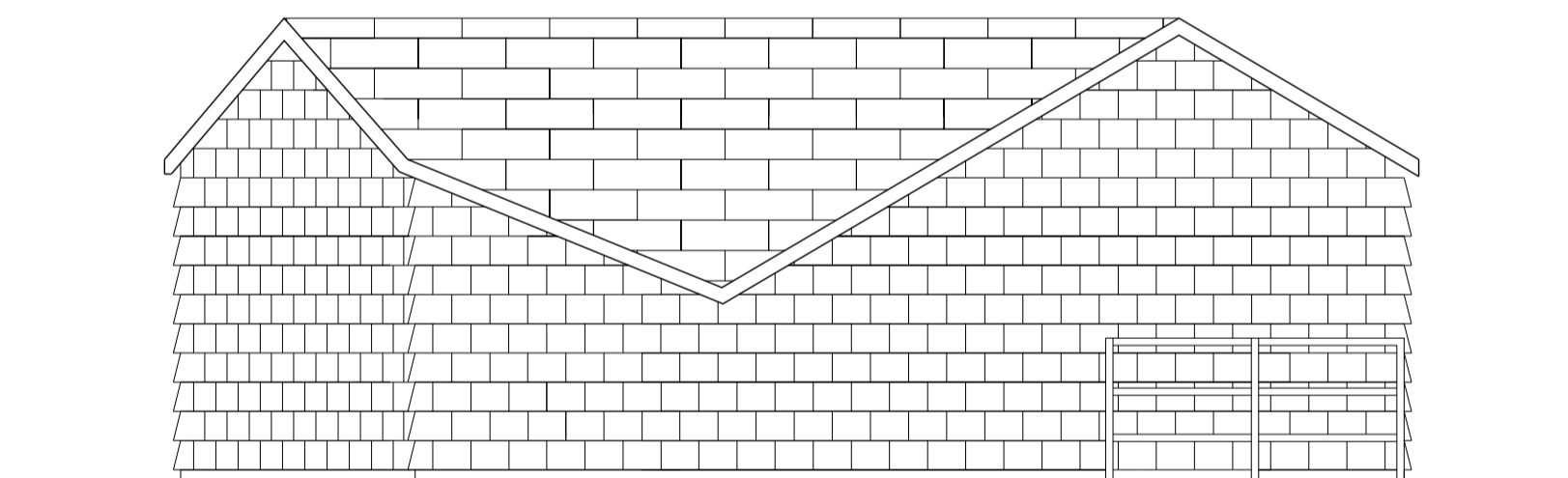


**A** 1:50@A1  
OUTBUILDING ELEVATION A

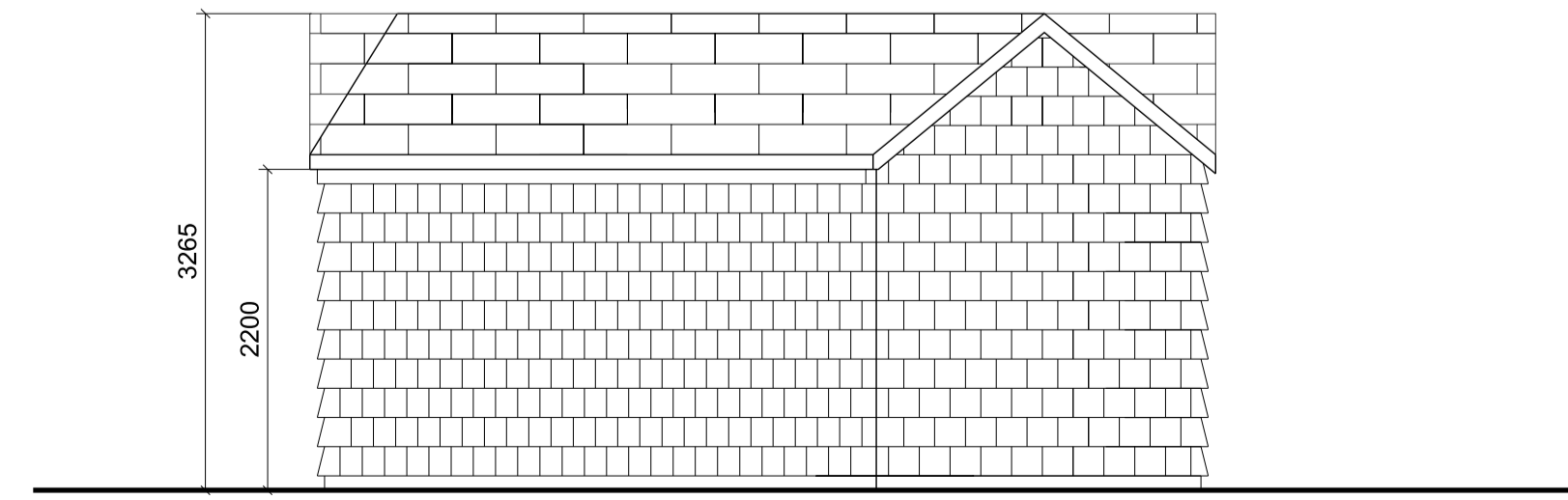


CEDAR SHINGLES - ROOF AND WALL CLADDING

**B** 1:50@A1  
OUTBUILDING ELEVATION B



**C** 1:50@A1  
OUTBUILDING ELEVATION C



**A** 1:50@A1  
OUTBUILDING ELEVATION D

0 1 2 3 4 5 6 7 8 9 10  
SCALE IN METRES @ 1:50

DO NOT SCALE OFF THIS DRAWING. DIMENSIONS, AREA AND LEVELS ARE ONLY APPROXIMATE AND SUBJECT TO SITE SURVEY. ALL DIMENSIONS TO BE CHECKED ON SITE. ANY DISCREPANCIES OR VARIATIONS TO BE REPORTED TO THE ARCHITECT BEFORE WORK COMMENCES.

THIS DRAWING IS TO BE READ IN CONJUNCTION WITH THE SPECIFICATION WHERE PROVIDED AND ALL RELEVANT CONSULTANTS DRAWINGS AND FOR SPECIALISTS DRAWINGS (DOCUMENTS AND ANY DISCREPANCIES OR VARIATIONS ARE TO BE REPORTED TO THE ARCHITECT BEFORE THE AFFECTED WORK COMMENCES.

THIS DRAWING IS PROTECTED BY COPYRIGHT AND MUST NOT BE COPIED OR REPRODUCED WITHOUT THE WRITERS CONSENT OF CHRIS DYSON ARCHITECTS LLP. NORTH POINTS SHOWN ARE INDICATIVE. ©

REV	DATE	NOTES	INIT.
02	01.07.20	PLANNING ISSUE	ED
01	30.05.19	PRE-APP RESPONSE	DR
00	11.01.19	PRE-APP ISSUE	JR

PROJECT

DRAWING TITLE  
**PROPOSED OUTBUILDING**

STATUS

DATE	DRAWN	CHECK	SCALE @ A3
APRIL 2020	JR	MW	1:50
			SCALE @ A1 1:25

PROJECT NUMBER	DRAWING NUMBER	REVISION LETTER
	A	1110 02