

☒ COUPLED FRAME JOINT

Architect Drgs: MP1-BMA-ALL-SL-ELV-A31-931040-A
 Arch Ref/Schedule: TYPE D12
 See 900000 Series drawings for location elevations

FA - ND NTech Villa Fixed Frame
 100mm frame width including 8mm Aluminium
 Profile drawing 100mm N360921

FINISHES:
 External: ALUMINIUM C-33 Bronze Colour Anodized, Gloss
 Internal: TIMBER White RAL 9010

GLASS - Specifications:
Glass Type 1 - GT1 (SBD) Low E (LE) 2s/Tough/Lam WES/Ar-6E#+10G+4+10G+E6.76
 Outer Pane: 6.76mm Clear Laminated Low E
 Centre Pane: 4mm Clear Float
 Inner Pane: 6mm Clear Toughened Low E
 Cavity: 2n" 10mm Argon Filled - Silver Spacer bar (Ral 7035)
Glass Type 2 - GT2 (27dB Rw+Ctr) Low E (LE) 2s/Tough/Lam WES/Ar-6E#+10G+4+10G+E6.38
 Outer Pane: 6.38mm Clear Laminated Low E6mm
 Centre Pane: 4mm Clear Float
 Inner Pane: 6mm Clear Toughened Low E
 Cavity: 2n" 10mm Argon Filled - Silver Spacer bar (Ral 7035)
Glass Type 3 - GT3 (36dB Rw+Ctr) Low E (LE) 2s/Tough/Lam WES/Ar-8E#+10G+4+18G+E8.76
 Outer Pane: 8.38mm Clear Laminated Low E
 Centre Pane: 4mm Clear Float
 Inner Pane: 8mm Clear Toughened Low E
 Cavity: 1N" 10mm + 1N" 18mm Argon Filled - Silver Spacer bar (Ral 7035)
Panel Type 1 - P1 (Insulated Composite Panel)
 C-33 Bronze Colour Anodized, Gloss (To Match Frame)

DETAILS ON THIS DRAWING ARE THE COPYRIGHT OF NorDan AND MUST NOT BE REPRODUCED IN WHOLE OR PART WITHOUT PERMISSION

PLEASE, DO NOT SCALE FROM THIS DRAWING

IMPORTANT NOTES
 (The recipient will be deemed to have cognisance and acceptance of all these notes)
 This drawing must be checked by the client, his agent or the main contractor and approved in writing. Any subsequent written instruction to manufacture (including "No Comment") shall constitute approval. Manufacture cannot commence until approved. Thereafter the client or the main contractor will be liable for any additional expenses incurred by the manufacturer and their agents for any alteration to the design detail or layout requested by them.

CDM REGULATIONS
 DESIGN RISK ASSESSMENT
 The size and shape of individual units for this project have been designed to satisfy the overall design requirements for the building.
 All persons handling and installing such units should be aware that there are risks associated with this type of work that cannot be designed out.

In addition to the hazard/risk normally associated with the type of work detailed in this drawing, note the following risk information.

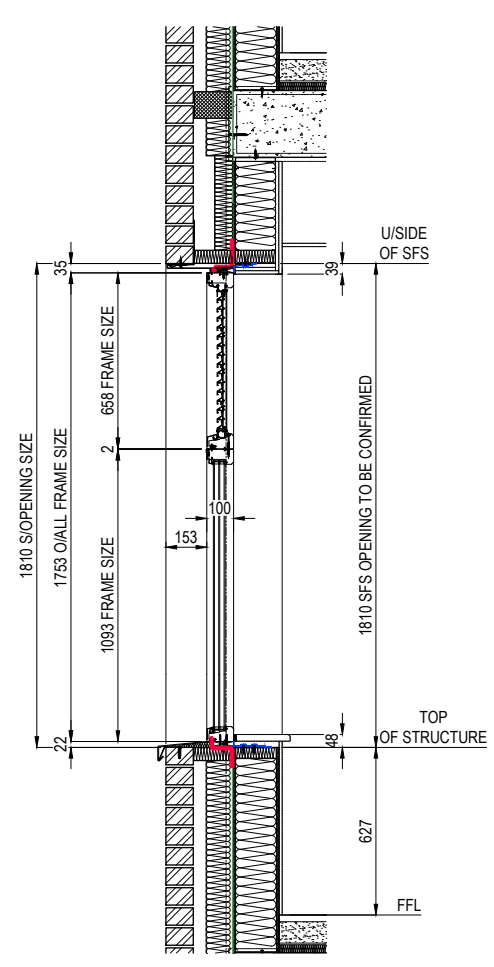
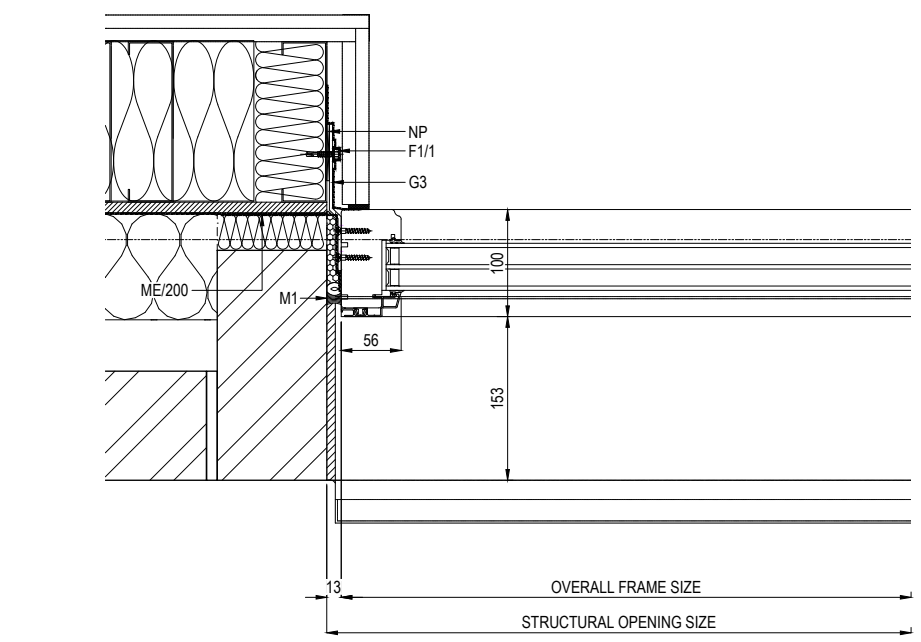
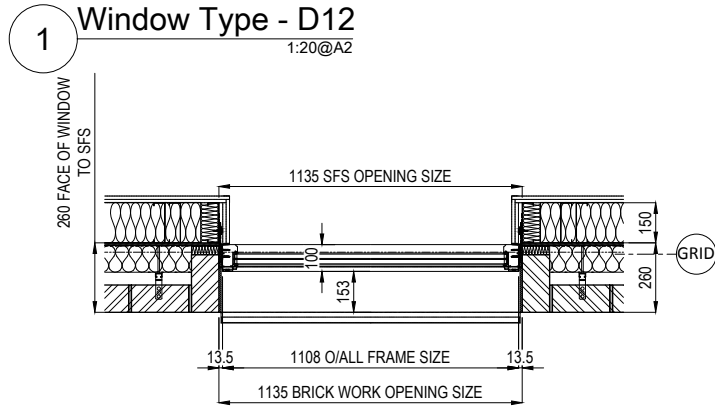
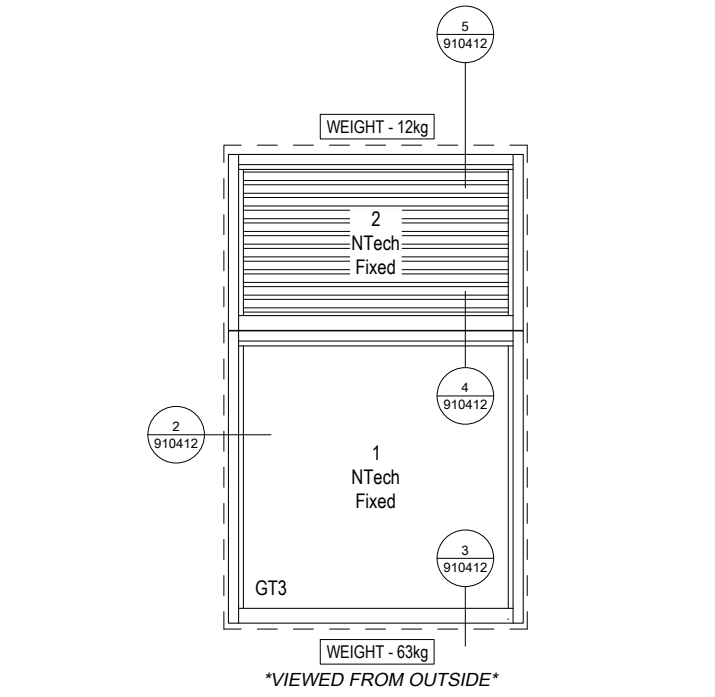
Reference list:

WINDOW SUBTYPES:
 "A" - HIGHER ACOUSTIC RATING
 "S" - SECURED BY DESIGN
 "H" - HANDED (BY HINGE POSITION VIEWED INTERNALLY)
 "O" - OBSCURED GLAZING

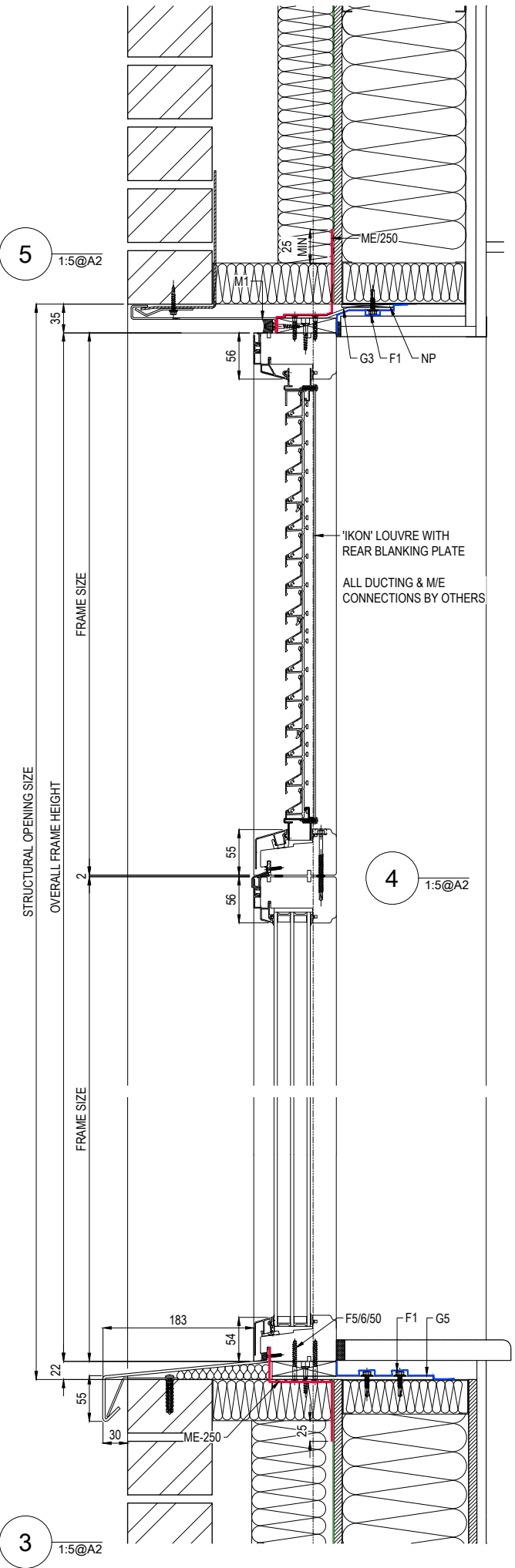
HANDING IN TABLE AS VIEWED FROM INSIDE

Nordan Ref.	Qty	Window Handing	Acoustic Rating	Secured By Design	Has Juliet Balcony
D12	02	N/A	36dB Rw+Ctr	Yes	No

FOR LOCATIONS PLEASE REFER TO 900000 SERIES DRAWINGS



BOUYGUES UK TO ADVISE ON CONSTRUCTION SEQUENCE



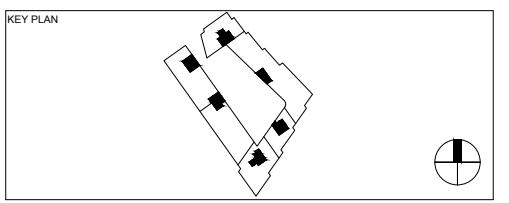
NB: BRACKETRY, FLASHINGS, ASSOCIATED FIXINGS AND ALL ACCESSORIES BY STANMORE

FOR ALL MATERIALS REFERENCED REFER TO 304-930000 SERIES COMPONENT SCHEDULES.

A - For Review 06.07.20

ALL REVISIONS

CLIENT LOGO
Taylor Wimpey Central London
 www.bouygues-uk.com



ORIGINATOR
NorDan
 www.NorDan.co.uk
 NorDan UK Ltd, 3 Almondview Office Park, Livingston, EH54 6SF Tel: 01506 433173

DRAWING TITLE
MOUNT PLEASANT PHASE 1 WINDOW TYPE D12 ELEVATION & SCHEDULE

Name	Signature	Date
Designed by Nordan P. YOUNG		20-06-20
Drawn by XSL P. YOUNG		20-06-20
Checked		
Approved		

SCALE: 1:20 @ A2 BIM FILE NAME
 FIRST ISSUE DATE: 06-07-20 PROPOSED STATUS: FOR REVIEW

PROJECT	ISSUER	AREA	LEVEL	TYPE	TRADE	SEQUENCE	REV
MP1	NUK	ALL	SL	ELV	3 04	910412	A